

Tension Levers

24430.0242



Product Description

Material

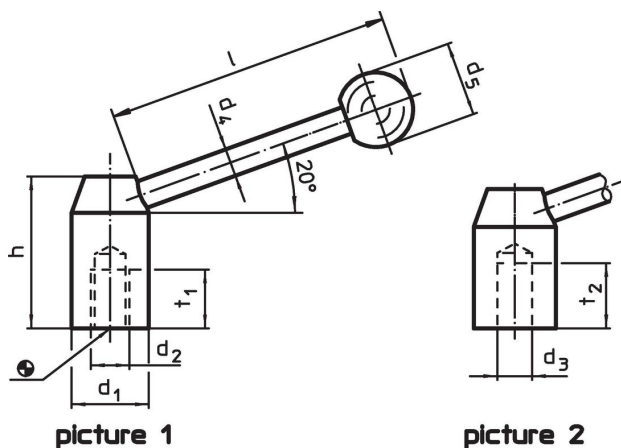
Lever

- Stainless steel 1.4305, dull blasted

Ball knob

- Thermosetting plastic PF 31, black, DIN 319

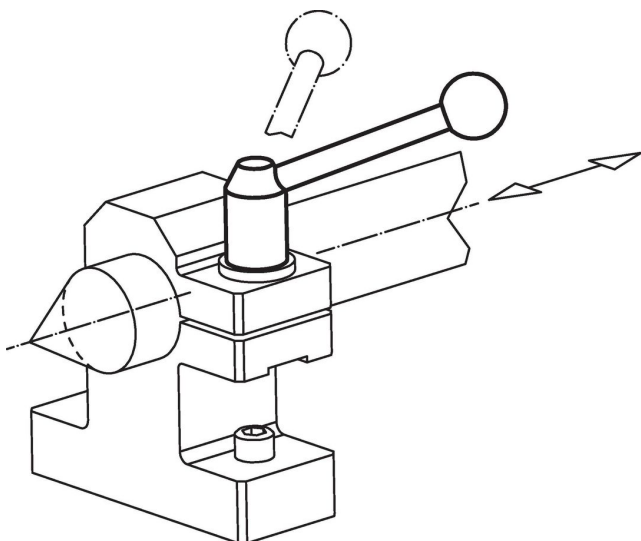
Drawing



Order information

d ₁	d ₂	d ₄	Dimensions				t ₁	[g]	Art. No.
			d ₅	h	l	[mm]			
with female thread – picture 1, Stainless steel									
28	M12	12	30	47	108	18	262	24430.0242	

Application example



Compliance

RoHS compliant

Compliant according to Directive 2011/65/EU and Directive 2015/863.

Does not contain SVHC substances

No SVHC substances with more than 0.1% w/w contained - SVHC list [REACH] as of 27.06.2024.

Does not contain Proposition 65 substances

No Proposition 65 substances included.

<https://www.P65Warnings.ca.gov/>

Free from Conflict Minerals

This product does not contain any substances designated as "conflict minerals" such as tantalum, tin, gold or tungsten from the Democratic Republic of Congo or adjacent countries.