

Eccentric Quick Clamps · with screw

23390.0021



Product Description

For quick and easy clamping and releasing of workpieces.
When using the "adjustable" design (picture 2) the lever position can be moved.

Material

Support washer

- Thermoplastic PA, glass-fiber reinforced

Lever

- Zinc die-cast, plastic coated, black, similar to RAL 9005

Inner parts

- Steel, zinc-plated by galvanization

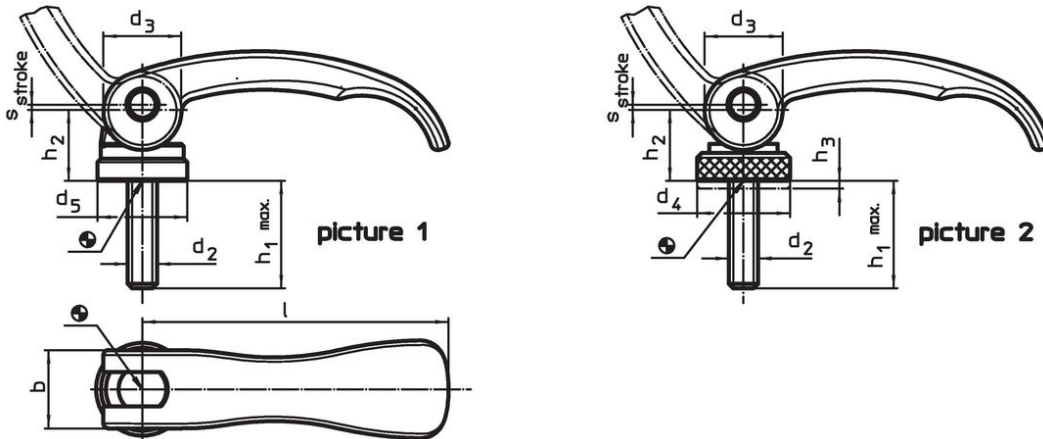
Screw

- Steel, zinc-plated by galvanization

Adjusting nut

- Steel, zinc-plated by galvanization

Drawing



Order information

| l | d ₂ | h ₁ max. in clamping position | Dimensions | | | | Stroke s at 90° lever position [mm] | 🌡️ max. [°C] | 📦 [g] | Art. No. |
|-------------------------------|----------------|--|----------------|----------------|------------------------|----|--|--------------------|----------|------------|
| | | | d ₃ | d ₅ | h ₂ max. | b | | | | |
| with screw – picture 1, Steel | | | | | | | | | | |
| 82 | M8 | 30 | 20 | 22.5 | 19.5 | 20 | 1 | 80 | 132 | 23390.0021 |

Application example



Compliance

RoHS compliant

Contains lead - compliant according to exceptions 6a / 6b / 6c.

Contains SVHC substances >0,1% w/w

Contains lead - SVHC list [REACH] as of 27.06.2024.

Contains Proposition 65 substances



Lead can cause cancer and reproductive harm from exposure
<https://www.P65Warnings.ca.gov/>

Free from Conflict Minerals

This product does not contain any substances designated as "conflict minerals" such as tantalum, tin, gold or tungsten from the Democratic Republic of Congo or adjacent countries.