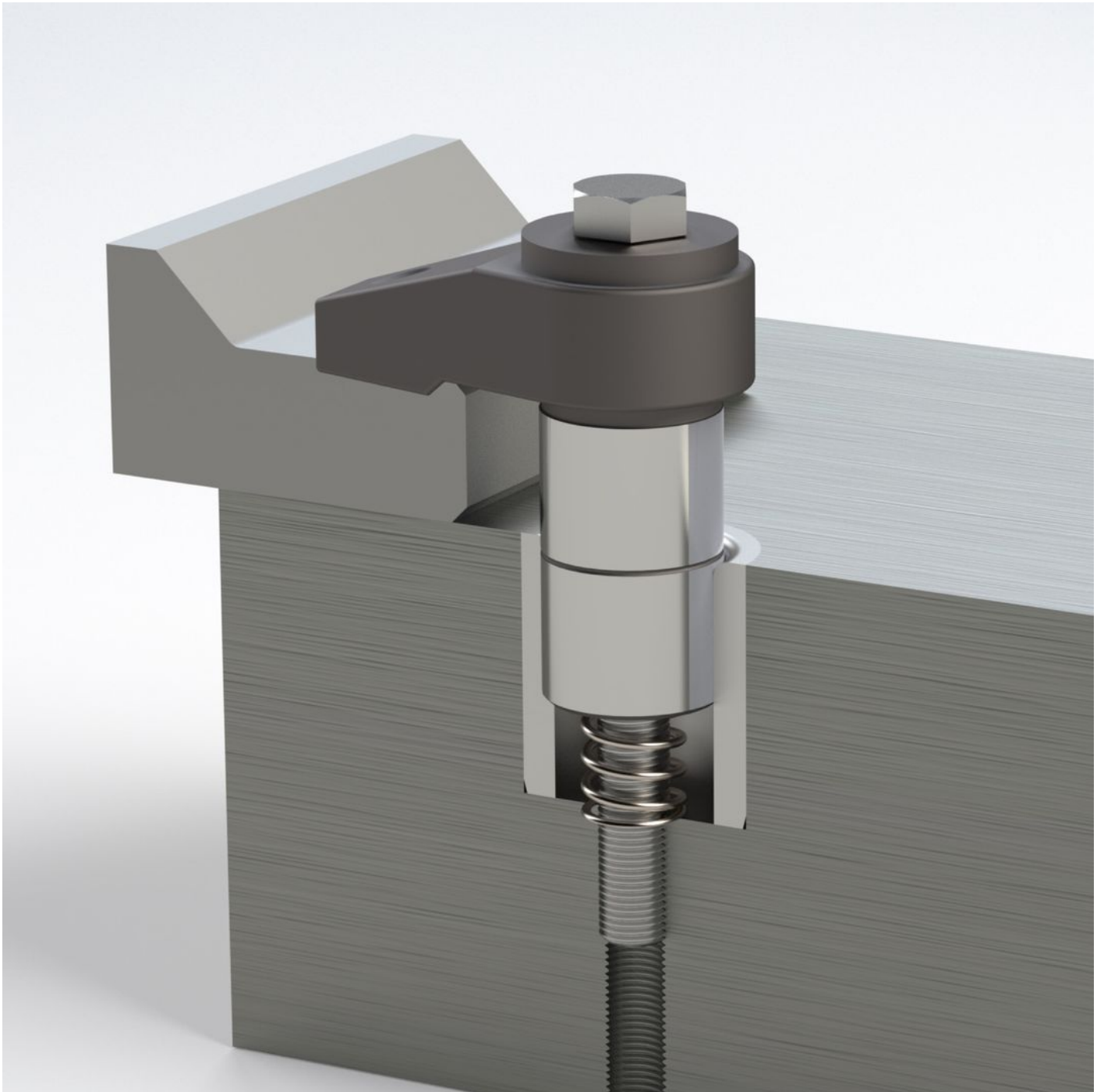
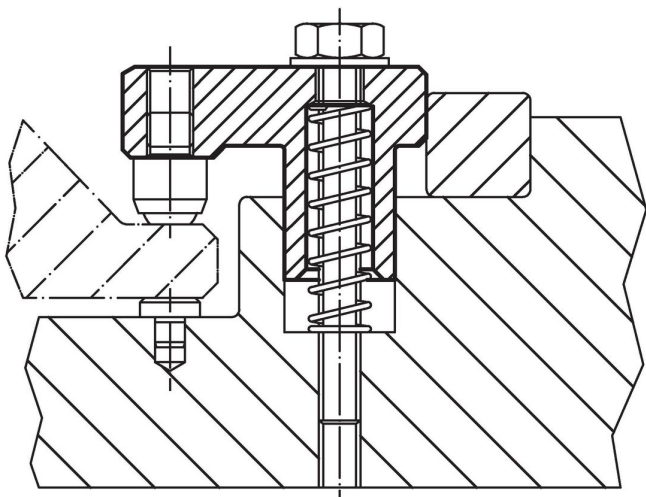
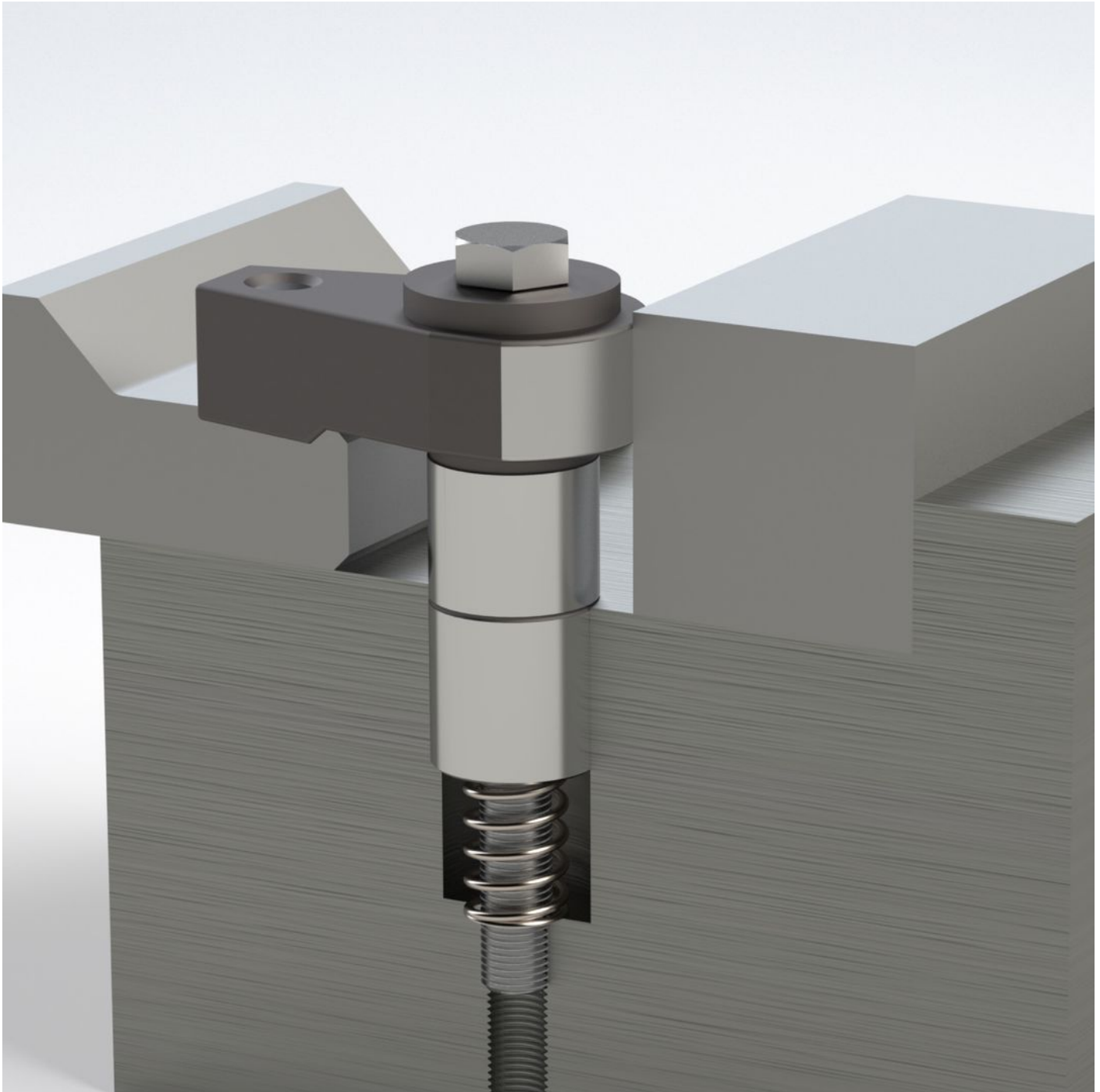


Order information

Dimensions														Stroke	WS	Location hole			Clamping force	Tightening torque max.	Art. No.																			
d ₁	h ₁	b ₁	d ₂	d ₃	h ₂	h ₃	h ₄	l ₁	l ₂	l ₃	l ₄	r	[mm]	[mm]	D1	D2	L1	[kN]	[Nm]	[g]																				
f7												±0.02			H7																									
with ground supporting surface – picture 1																																								
28	0 – 11	40	M12	M12	31	54	13	77	55	43	85	22	11	18	28	M12	49	10	30	523	23370.0031																			

Application example





Compliance

RoHS compliant

Compliant according to Directive 2011/65/EU and Directive 2015/863.

Does not contain SVHC substances

No SVHC substances with more than 0.1% w/w contained - SVHC list [REACH] as of 27.06.2024.

Does not contain Proposition 65 substances

No Proposition 65 substances included.

<https://www.P65Warnings.ca.gov/>

Free from Conflict Minerals

This product does not contain any substances designated as "conflict minerals" such as tantalum, tin, gold or tungsten from the Democratic Republic of Congo or adjacent countries.