

Eccentric Clamping Washers

23270.0210



Product Description

The eccentric clamping washers are especially suitable for the clamping of raw parts, e.g. cut-off portions, cast iron parts and forgings.

Material

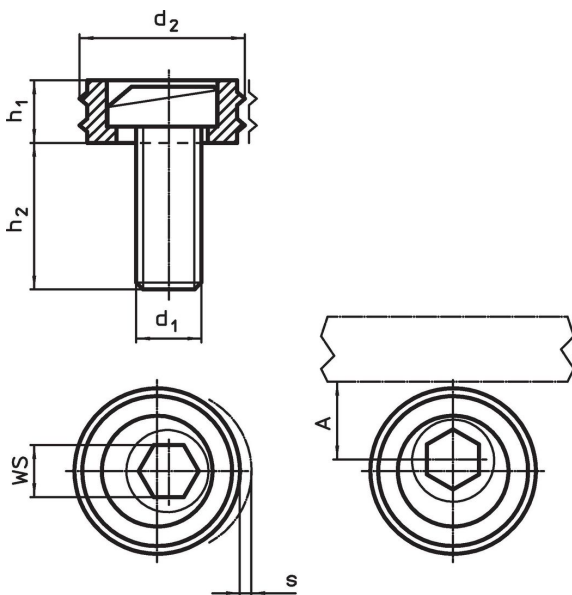
Eccentric screw

- Steel


Body

- Steel, case-hardened

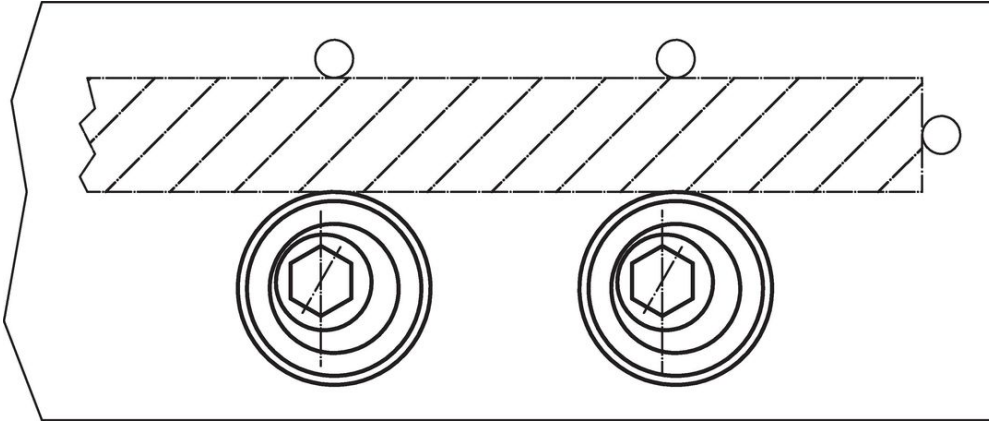
Drawing



Order information

d ₁	d ₂	Dimensions			s	A	WS	Clamping force max. [kN]	Tightening torque max. [Nm]	 [g]	Art. No.
		h ₁	h ₂	[mm]							
M10	20.6	6.4	16	1.6	10.3	7	9	26	23	23270.0210	

Application example



Compliance

Compliant according to Directive 2011/65/EU and Directive 2015/863.

No SVHC substances with more than 0.1% w/w contained - SVHC list [REACH] as of 27.06.2024.

No Proposition 65 substances included.
<https://www.P65Warnings.ca.gov/>