

Clamping Vices

23231.0011



Product Description

The clamping vice is a solid, compact clamping module with a horizontally acting clamping force and a robust mechanical spindle.

- Clamping force up to max. 80 kN
- Clamping stroke 25 mm via screw drive WS 36
- Fixture via 4 cap screws M 24, quality 8.8 (tightening torque 600 Nm) with a hole spacing 100 x 100 mm
- Suitable clamping jaws 23231.0020 - .0033 are available

Material

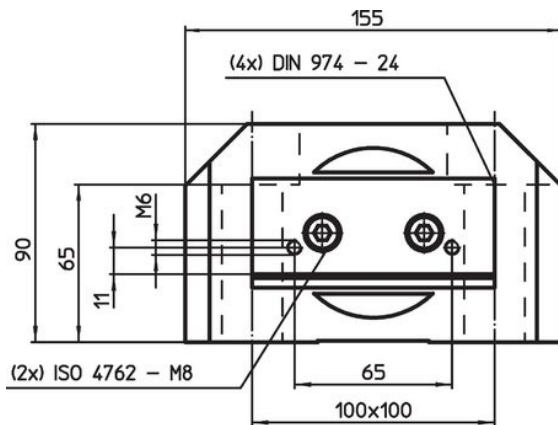
- Steel, case-hardened, ground

More information

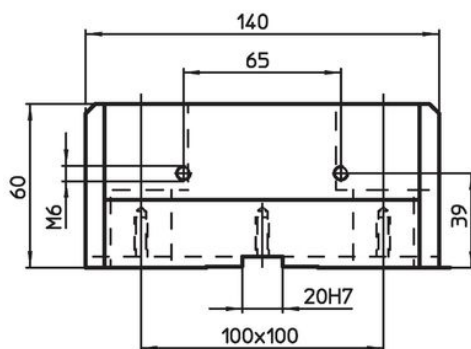
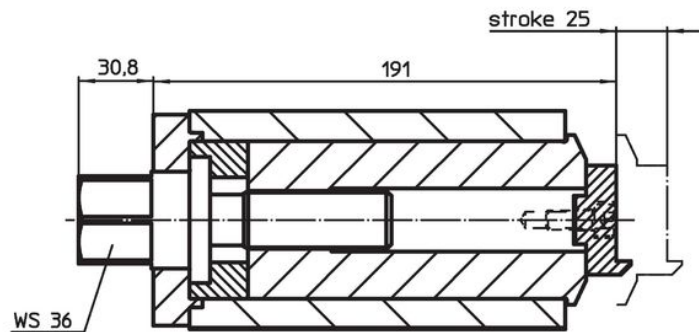
Further products

- Standard Jaws, for vices
- Interchangeable Jaws, for vices, with pull-down effect
- Clamping Vices, moveable jaw
- Clamping Vices, fixed jaw
- Clamping Vices, replacement jaw, soft
- Clamping Vices, replacement jaw, ribbed/flat

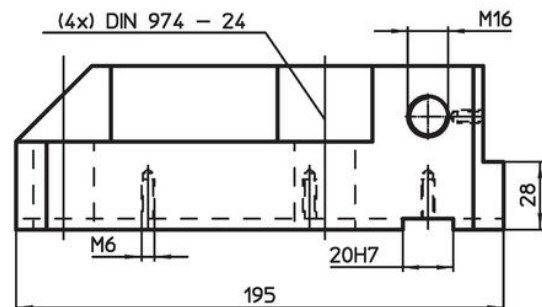
Drawing




picture 1



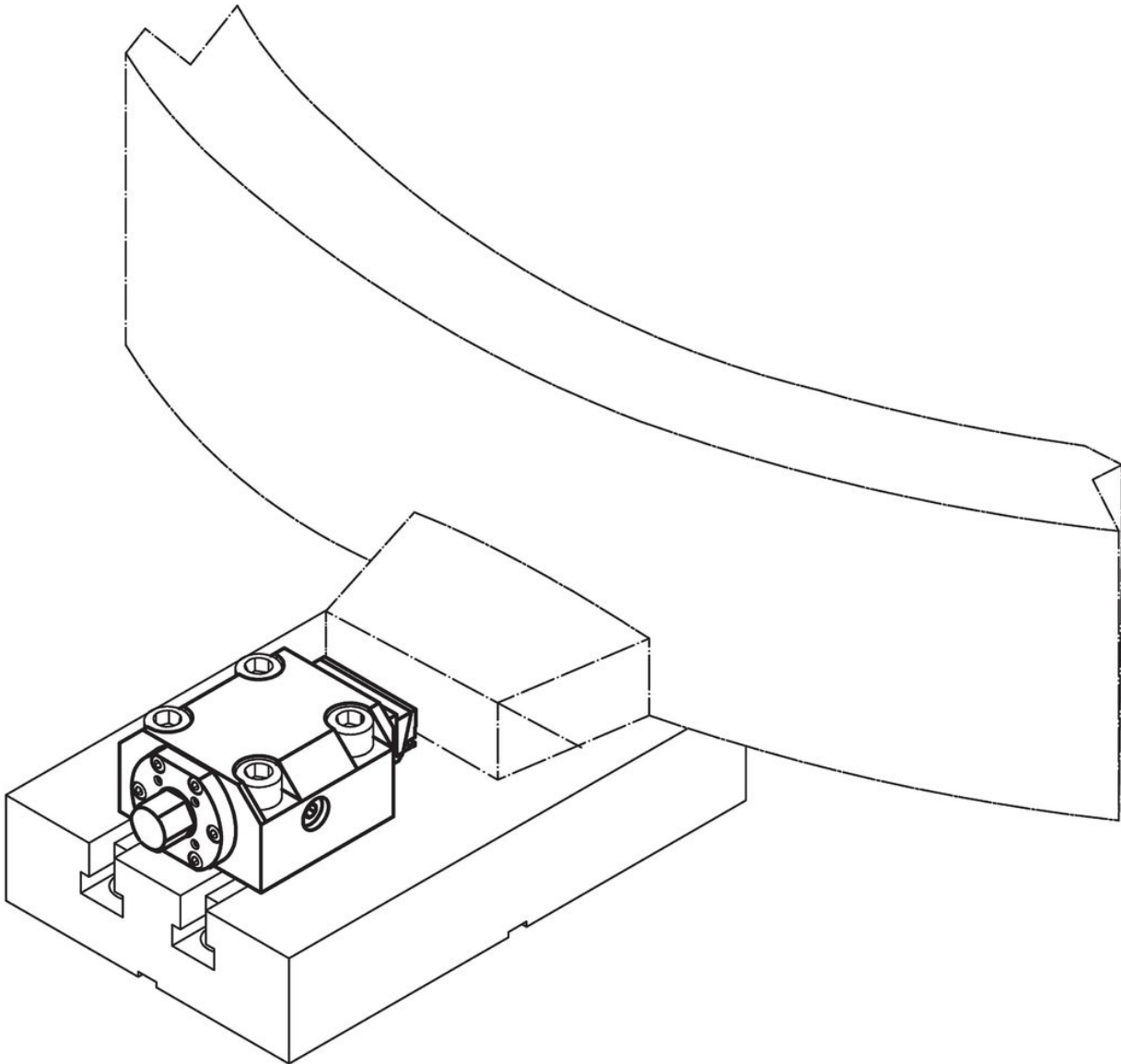
picture 2



Order information

| | Art. No. |
|---|------------|
|  [kg] | |
| fixed jaw – picture 2 | |
| 10 | 23231.0011 |

Application example



Compliance

RoHS compliant

Compliant according to Directive 2011/65/EU and Directive 2015/863.

Does not contain SVHC substances

No SVHC substances with more than 0.1% w/w contained - SVHC list [REACH] as of 23.01.2024.

Does not contain Proposition 65 substances

No Proposition 65 substances included.

<https://www.P65Warnings.ca.gov/>

Free from Conflict Minerals

This product does not contain any substances designated as "conflict minerals" such as tantalum, tin, gold or tungsten from the Democratic Republic of Congo or adjacent countries.