

## Support Extensions · for straight clamps, slotted, with adjustable counter piece

23185.0410



### Product Description

The support extension is screwed on the counter piece of the clamp EH 23185. for an extension of the clamping height (dimension  $h_2$ ). The clamping height can be adjusted steplessly by means of the support extension.

### Material

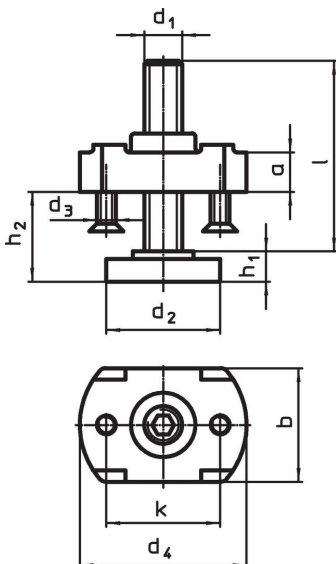
#### Body

- Steel, tempered, zinc-plated by galvanization

#### Supporting bolt

- Heat-treated steel, quality 8.8, black

### Drawing



### Order information

Dimensions										for clamps	Art. No.	
$d_1$	$l$	$d_2$	$d_3$	$d_4$	$h_1$	$h_2$	$a$	$b$	$k$	$d_1$		[g]
[mm]										[mm]		
M10	39	30	M5	44	8	8 – 30	10	30	30	13	148	23185.0410

### Application example



### Compliance

#### RoHS compliant

Compliant according to Directive 2011/65/EU and Directive 2015/863.

#### Does not contain SVHC substances

No SVHC substances with more than 0.1% w/w contained - SVHC list [REACH] as of 27.06.2024.

#### Does not contain Proposition 65 substances

No Proposition 65 substances included.

<https://www.P65Warnings.ca.gov/>

#### Free from Conflict Minerals

This product does not contain any substances designated as "conflict minerals" such as tantalum, tin, gold or tungsten from the Democratic Republic of Congo or adjacent countries.