

**Clamps · DIN 6314 flat**  
23140.0034



**Product Description**

This clamp (clamping claw) according to DIN 6314 is mainly used in mechanical clamping technology for clamping workpieces.

**Material**

- Heat-treated steel, varnished

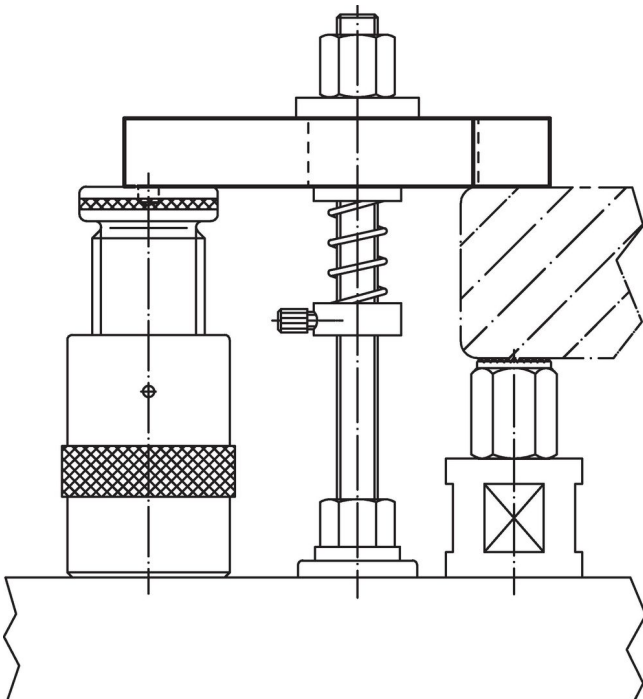
**Drawing**



**Order information**

Nominal dimension $b_1$ [mm]	Dimensions						For screws		[g]	Art. No.
	$l$	$a$	$b_2$	$b_3$	$e_1$	$e_2$	[mm]	[in]		
33	250	40	80	34	45	100	M30	1 1/4	4980	23140.0034

**Application example**



## Compliance

### RoHS compliant

Compliant according to Directive 2011/65/EU and Directive 2015/863.

### Does not contain SVHC substances

No SVHC substances with more than 0.1% w/w contained - SVHC list [REACH] as of 23.01.2024.

### Does not contain Proposition 65 substances

No Proposition 65 substances included.

<https://www.P65Warnings.ca.gov/>

### Free from Conflict Minerals

This product does not contain any substances designated as "conflict minerals" such as tantalum, tin, gold or tungsten from the Democratic Republic of Congo or adjacent countries.