

Clamps · DIN 6314 flat
23140.0019



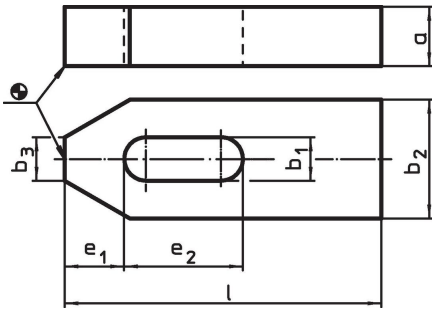
Product Description

This clamp (clamping claw) according to DIN 6314 is mainly used in mechanical clamping technology for clamping workpieces.

Material

- Heat-treated steel, varnished

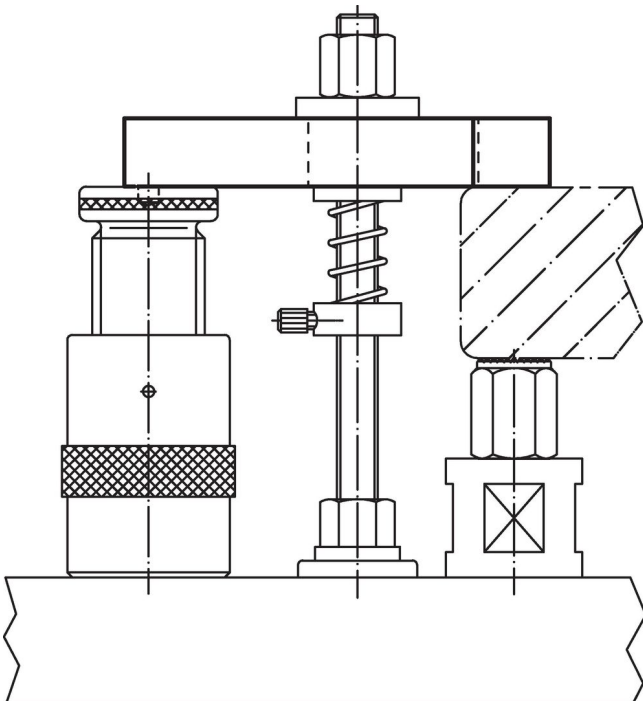
Drawing



Order information

Nominal dimension b ₁ [mm]	l	a	Dimensions				For screws		[g]	Art. No.
			b ₂ [mm]	b ₃	e ₁	e ₂	[mm]	[in]		
18	160	25	50	18	26	65	M16, M18	5/8	1246	23140.0019

Application example



Compliance

RoHS compliant

Compliant according to Directive 2011/65/EU and Directive 2015/863.

Does not contain SVHC substances

No SVHC substances with more than 0.1% w/w contained - SVHC list [REACH] as of 23.01.2024.

Does not contain Proposition 65 substances

No Proposition 65 substances included.

<https://www.P65Warnings.ca.gov/>

Free from Conflict Minerals

This product does not contain any substances designated as "conflict minerals" such as tantalum, tin, gold or tungsten from the Democratic Republic of Congo or adjacent countries.