

Collar Nuts • DIN 6331 (height 1,5 d)

23080.0120



Product Description

The collar nuts (flanged nuts) are manufactured according to DIN 6331.

Material

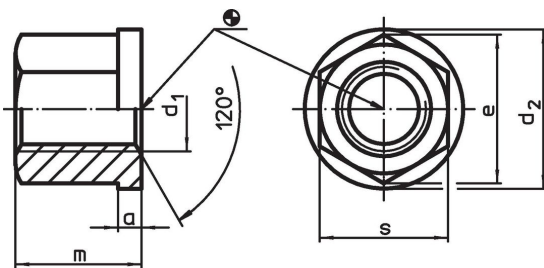
- Stainless steel 1.4305

More information

References

For torques and strengths please refer to appendix - Technical Data -

Drawing

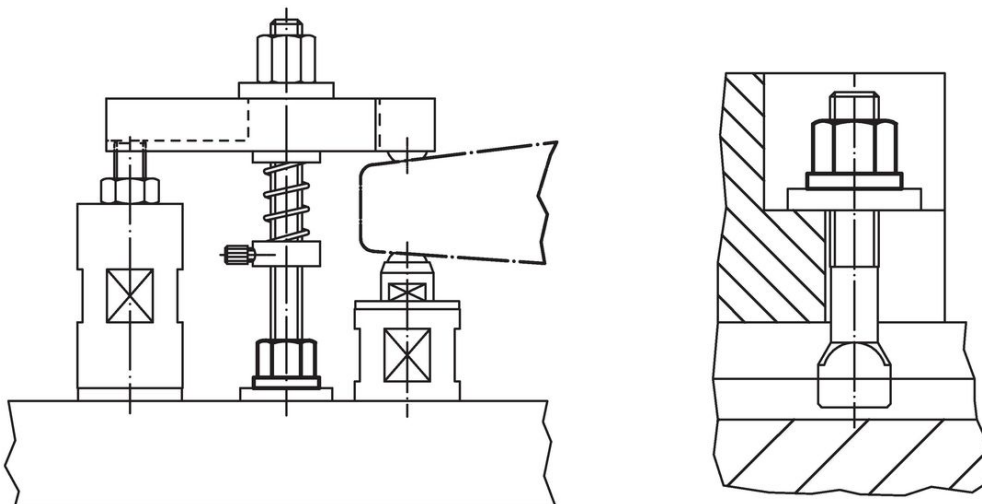


Order information

d ₁	a	d ₂	Dimensions			m	s	[g]	Art. No. ¹⁾
			e	[mm]					
Stainless steel									
M20	6	37	34.6		30	30	129	23080.0120	

¹⁾ DIN standard do not include these material.

Application example



Compliance

RoHS compliant

Compliant according to Directive 2011/65/EU and Directive 2015/863.

Does not contain SVHC substances

No SVHC substances with more than 0.1% w/w contained - SVHC list [REACH] as of 23.01.2024.

Does not contain Proposition 65 substances

No Proposition 65 substances included.

<https://www.P65Warnings.ca.gov/>

Free from Conflict Minerals

This product does not contain any substances designated as "conflict minerals" such as tantalum, tin, gold or tungsten from the Democratic Republic of Congo or adjacent countries.