

## Oil-Sight Glasses

22860.0016



### Product Description

Oil-sight glasses can be used for level control in tanks without excess pressure.

#### Material

##### Seal ring

- Resistant to oil and gasoline

##### Reflector

- Plastic, white

##### Ring nut

- Aluminium Al

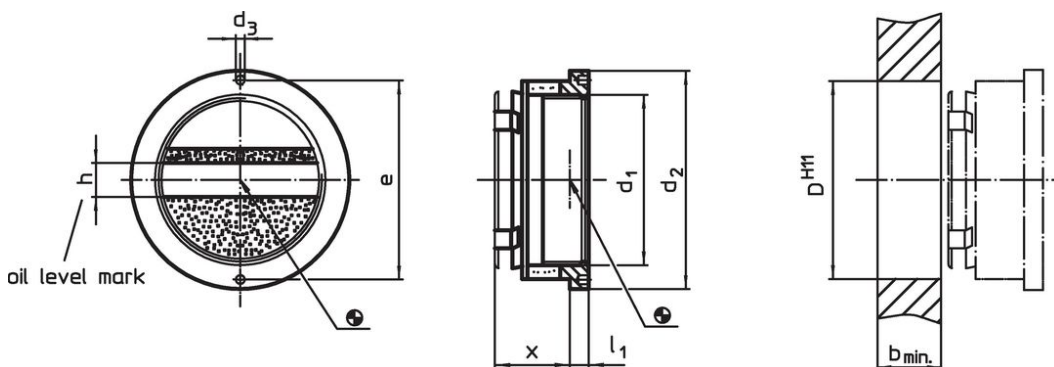
##### Oil-sight glass

- Plexiglass (PMMA) clear

#### Assembly

Can be fitted without thread in H11 borehole.  
Sealing by simply tightening the ring nut.


### Drawing



### Order information

Size (sight opening) $d_1$	Dimensions						Location hole D H11 [mm]	Temperature		Weight [g]	Art. No.
	$d_2$	$d_3$	$x$ ~	$l_1$	$b$ min.	$e$		min.	max.		
without oil level mark											
16	25	2.2	15	3.5	9	21	20	-20	70	9.1	22860.0016

### Accessories

Size (sight opening) $d_1$	Dimensions		Weight [g]	Art. No.
	$d$ h9 [mm]	$e$		
assembly tool				
	16	2.0	16	22860.0816

## Application example



## Compliance

### RoHS compliant

Compliant according to Directive 2011/65/EU and Directive 2015/863.

### Does not contain SVHC substances

No SVHC substances with more than 0.1% w/w contained - SVHC list [REACH] as of 23.01.2024.

### Does not contain Proposition 65 substances

No Proposition 65 substances included.  
<https://www.P65Warnings.ca.gov/>

### Free from Conflict Minerals

This product does not contain any substances designated as "conflict minerals" such as tantalum, tin, gold or tungsten from the Democratic Republic of Congo or adjacent countries.