

Ball Casters • with sheet steel housing

22750.0052



Product Description

Ball casters are module for transport systems, conveyances, to working and packing facilities. For example, parts can be easily moved, turned and controlled. As from $d_1 = 36$ fitted with an oil drenched felt seal to protect against dirt.

Material

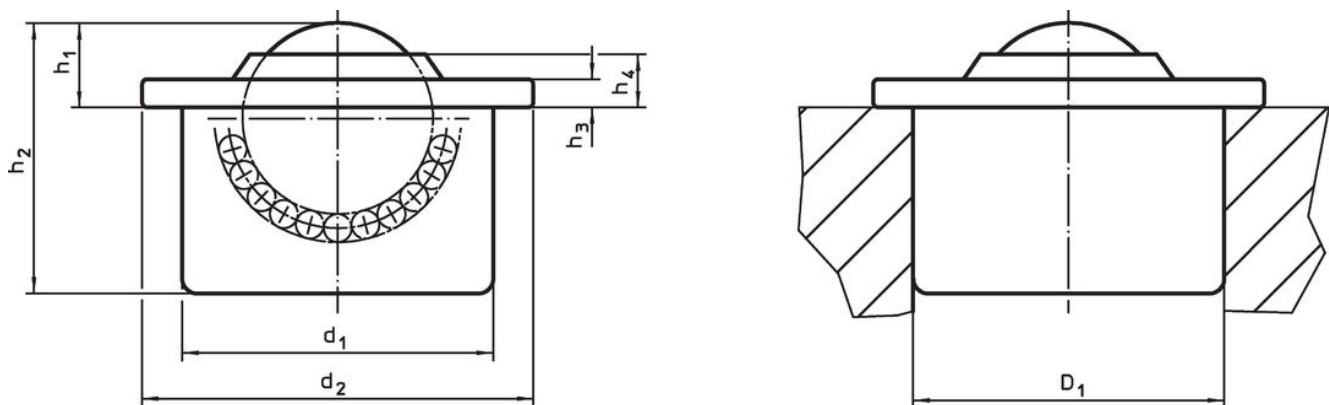
- Cap**
- Stainless steel
- Housing**
- Stainless steel
- Ball**
- Stainless steel

More information


Further products

- Tolerance Rings

Drawing

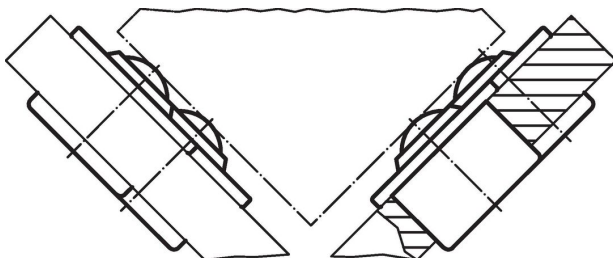


Order information

d_1 ± 0.08	Ball diameter	d_2	Dimensions h_1 ± 0.3 [mm]				h_2	h_3	h_4	Location hole D_1 ¹⁾ $+0.05$ [mm]	Dynamic carrying figure C [N]	 [g]	Art. No.
all parts from stainless steel													
45	30	55	13.8	37.5	3.7	7.9	44.85	1900	272	22750.0052			

¹⁾ Reference value for 2 mm sheet steel/ 5 mm aluminium (force fit)

Application example





Compliance

RoHS compliant

Compliant according to Directive 2011/65/EU and Directive 2015/863.

Does not contain SVHC substances

No SVHC substances with more than 0.1% w/w contained - SVHC list [REACH] as of 23.01.2024.

Does not contain Proposition 65 substances

No Proposition 65 substances included.

<https://www.P65Warnings.ca.gov/>

Free from Conflict Minerals

This product does not contain any substances designated as "conflict minerals" such as tantalum, tin, gold or tungsten from the Democratic Republic of Congo or adjacent countries.