

## Locating Pins · with ball end

22630.0452



### Product Description

Ball ended locating pins facilitate easy inserting and removing avoiding clamping inclination.

### Material

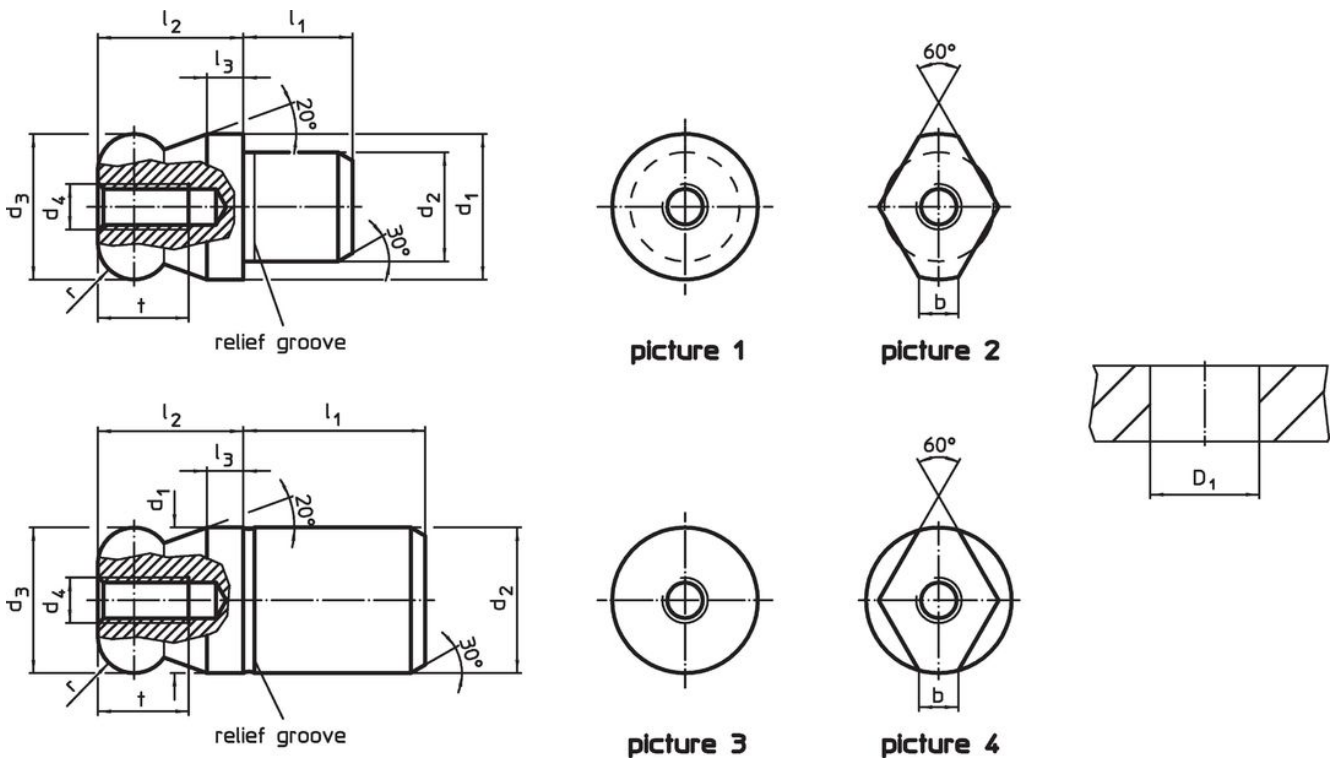
- Stainless steel 1.4305, ground, surface heat-treated

### More information

### Further products

- Locating Pins, DIN 6321
- Locating Pins, with bore hole similar to DIN 6321

### Drawing



### Order information

Dimensions										Location hole	Art. No.	
$d_1$	$d_2$	$d_3$	$d_4$	$l_1$	$l_2$	$l_3$	$t$	$r$	$b$	$D_1$		
g6	n6	-0.01 -0.05								H7		
[mm]										[mm]	[g]	
with ball end flattened – picture 2, Stainless steel												
12	8	12	M4	8	12	3	8	3	2.5	8	8	22630.0452

### Application example



### Compliance

#### RoHS compliant

Compliant according to Directive 2011/65/EU and Directive 2015/863.

#### Does not contain SVHC substances

No SVHC substances with more than 0.1% w/w contained - SVHC list [REACH] as of 23.01.2024.

#### Does not contain Proposition 65 substances

No Proposition 65 substances included.  
<https://www.P65Warnings.ca.gov/>

#### Free from Conflict Minerals

This product does not contain any substances designated as "conflict minerals" such as tantalum, tin, gold or tungsten from the Democratic Republic of Congo or adjacent countries.