

## Locating Bushings with Seal, plain · for lifting pins

22350.1963



### Product Description

The seal prevents the penetration of liquid and dirt. The bushing is therefore especially suitable for use in the open air.

Locating bushings are used for quick and safe locating of lifting pins EH 22350 / EH 22351.

This design is suitable for applications which require installation flush to the surface.

A face wrench is required for installation. As an accessory, we offer a standard adjustable face wrench, offset, and a face and socket wrench. In combination with a socket-wrench/screwdriver, the face and socket wrench is especially suitable for use if space is restricted.

Corrosion and abrasion resistant.

### Material

#### Bushing

- Stainless steel 1.4542, precipitation-hardened

#### O-ring

- NBR

#### Spring

- Stainless steel

### Assembly

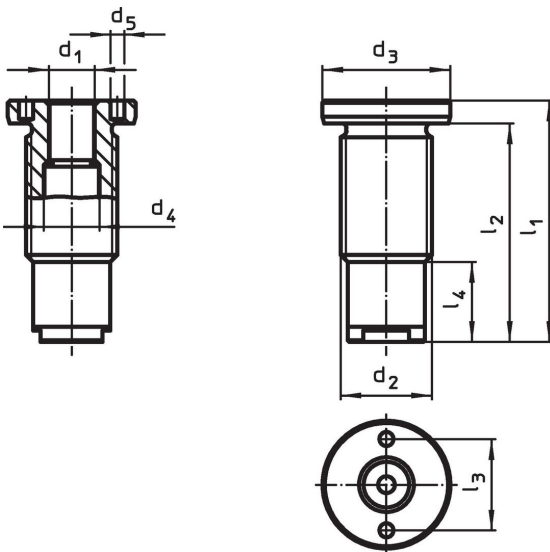
Safe tolerances and consistent function.

Easily incorporated into different materials  
Bush can be easily installed via optional assembly tool.

Can be mounted in blind holes.

For thin-walled parts, lock nuts are used for assembly.




### Drawing



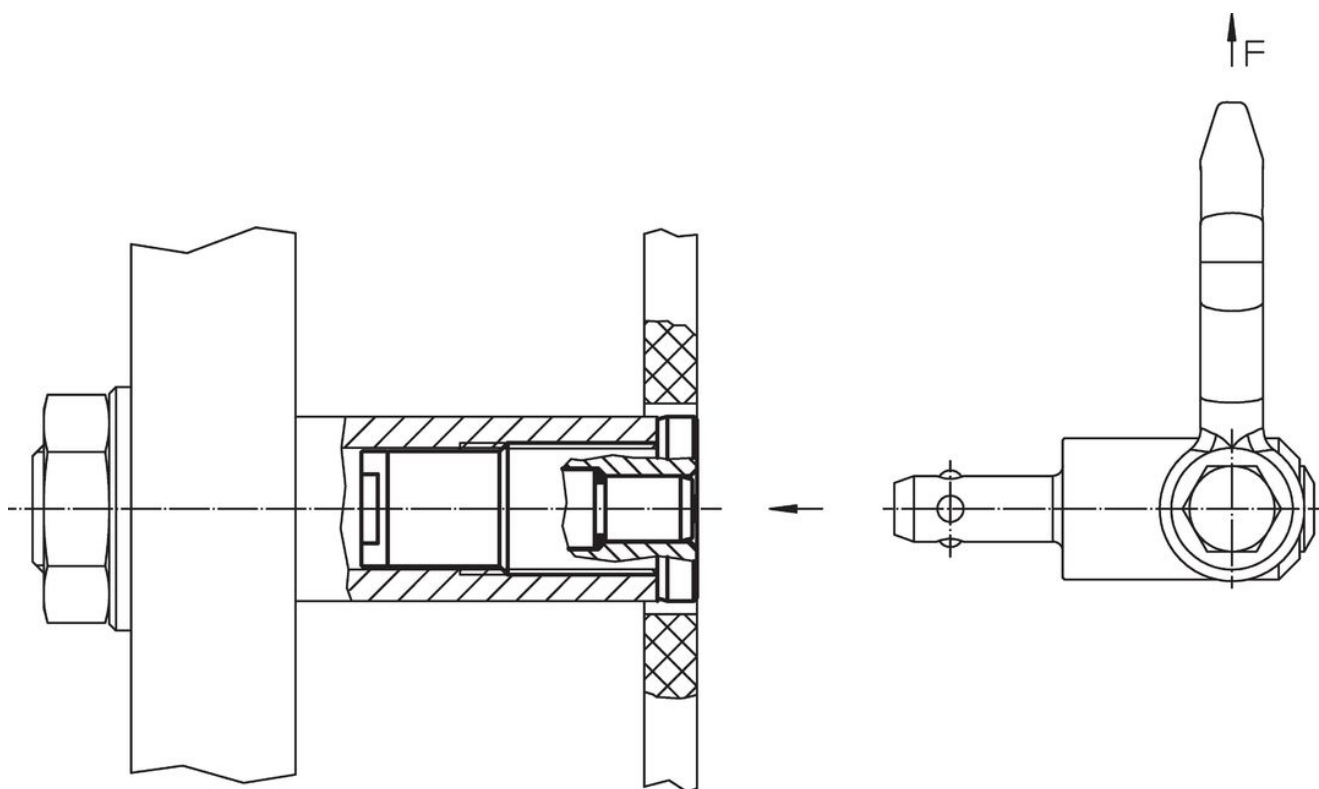
### Order information

Dimensions		For nominal length	Dimensions							Tightening torque max.	x	Load capacity			For lifting pin	Art. No.	
d <sub>1</sub>	d <sub>2</sub>		d <sub>3</sub>	d <sub>4</sub>	d <sub>5</sub>	l <sub>1</sub>	l <sub>2</sub>	l <sub>3</sub>	l <sub>4</sub>			F <sub>1</sub>	F <sub>2</sub>	F <sub>3</sub>			
H11	[mm]	[mm]	-0.2	+0.3	+0.1	[mm]	[mm]	[mm]	[mm]	[Nm]	[mm]	[kN]	[kN]	[g]			
16	M30 x 2	25	39	19.3	5.1	78	72	30	33	200	1.5	4.8	4.5	4.1	22350.0641 / .0741	253	22350.1963

## Accessories

	Suitable for size $d_1$ [mm]	Pin spacing $\pm 0.1$ [mm]	Pin diameter $-0.1$ [mm]	Square drive [in]	 [g]	Art. No.
<b>adjustable face wrench, offset</b>						
	10/12/16/20/25	-	5		309	22350.1991
<b>face wrench (socket wrench insert)</b>						
	16/20	30	5	1/2	243	22350.1998

## Application example



## Compliance

### RoHS compliant

Compliant according to Directive 2011/65/EU and Directive 2015/863.

### Does not contain SVHC substances

No SVHC substances with more than 0.1% w/w contained - SVHC list [REACH] as of 27.06.2024.

### Does not contain Proposition 65 substances

No Proposition 65 substances included.

<https://www.P65Warnings.ca.gov/>

### Free from Conflict Minerals

This product does not contain any substances designated as "conflict minerals" such as tantalum, tin, gold or tungsten from the Democratic Republic of Congo or adjacent countries.