

## Lateral Plungers · smooth, with seal, with female thread

22150.1127



### Product Description

To be used for positioning and applying pressure, e.g. during painting and sandblasting. Sealed against chips and dirt.

### Material

#### Seal

- CR

#### Body

- Aluminium Al

#### Threaded washer

- Steel, blackened

#### Spring

- Steel, zinc-plated by galvanization

### Assembly

Formula for calculating the center distance for the mounting hole:

$$l_0 = z/2 + w + x,$$

$l_0$  = center distance,

$y$  = workpiece height,

$w$  = workpiece length,

$x$  = stroke,

$z$  = stop diameter

Calculation dimension  $x$  for workpieces:

$$x = d_2/2 - s$$

Installation by pressing in.

### Characteristic

Version heavy spring load = spring from steel, zinc-plated by galvanization

### More information

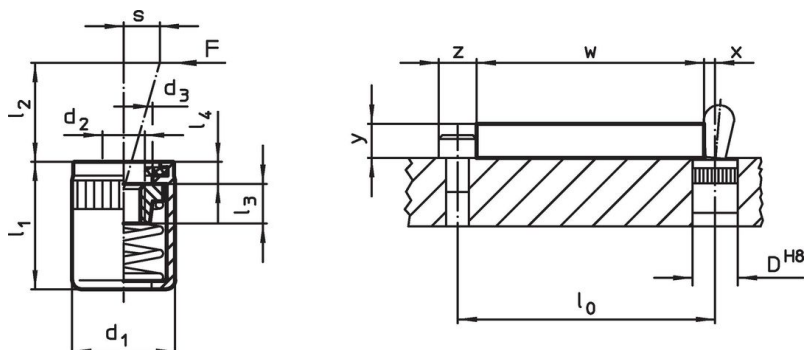
### Notes

Individual set screws can be screwed in the plate with threaded hole.

### Further products

- Eccentric Mounting Bushings, for lateral plungers, smooth

### Drawing





### Order information

Dimensions		Spring load F max. <sup>1)</sup> [N]	Dimensions					Stroke s [mm]	Location hole D H8 [mm]	max. [°C]	[g]	Art. No.
d <sub>1</sub>	d <sub>2</sub>		d <sub>3</sub>	l <sub>1</sub> -2	l <sub>2</sub>	l <sub>3</sub>	l <sub>4</sub>					
[mm]	[mm]		[mm]	[mm]	[mm]	[mm]	[mm]	[mm]	[°C]	[g]		
10	M4	100	6.3	12	10	4.5	1.8	1	10	110	2.5	22150.1127

<sup>1)</sup> statistical average value

Accessories

	Dimensions d <sub>1</sub> [mm]	 [g]	Art. No.
<b>assembly tool</b>			
	10	49	22150.0831

Compliance

**RoHS compliant**

Compliant according to Directive 2011/65/EU and Directive 2015/863.

**Does not contain SVHC substances**

No SVHC substances with more than 0.1% w/w contained - SVHC list [REACH] as of 23.01.2024.

**Does not contain Proposition 65 substances**

No Proposition 65 substances included.

<https://www.P65Warnings.ca.gov/>

**Free from Conflict Minerals**

This product does not contain any substances designated as "conflict minerals" such as tantalum, tin, gold or tungsten from the Democratic Republic of Congo or adjacent countries.