

Index Plungers · with hexagon collar and locking, stainless steel A4

22120.1182



Product Description

Index plungers are used for indexing bores.
The stainless steel A4 version ensures maximum corrosion resistance.

Material

Body

- Stainless steel 1.4401

Locking pin

- Stainless steel 1.4401 nickel-plated

Knob

- Thermoplastic PA 6, black-grey, matt

Lock nut

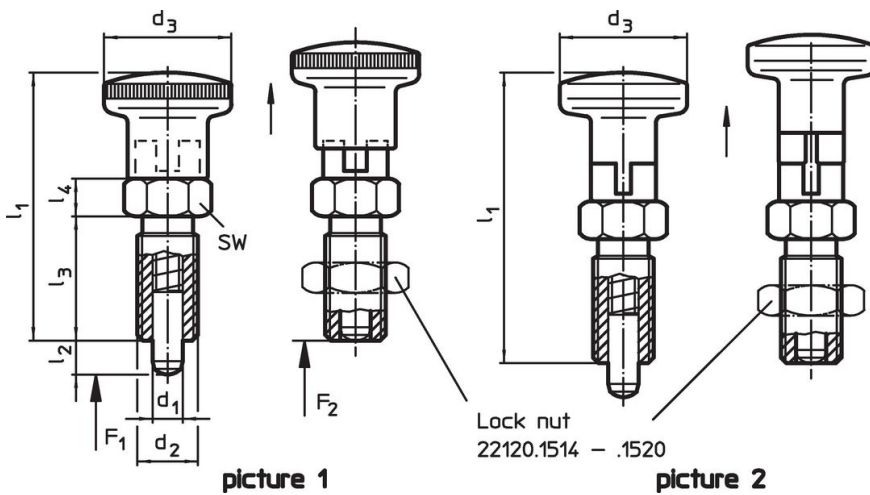
- Stainless steel 1.4401

More information

Notes

Knob not removable.
Lock nuts have to be purchased separately.

Drawing





Order information

Dimensions				Spring load ¹⁾		Temperature		Weight [g]	Art. No.			
d ₁	d ₂	l ₂ min.	d ₃	l ₁	l ₃	l ₄	F ₁			F ₂	min.	max.
-0.02			[mm]				~	~	[°C]			
12	M20 x 1,5	15	33	71.5	33	10	9	32	-30	80	141	22120.1182

with knob of thermoplastic – picture 1

¹⁾ statistical average value

Accessories

	Dimensions d ₂ [mm]	Wrench size [mm]	 [g]	Art. No.
Lock nuts ISO 8675 (DIN 439), Stainless steel 1.4401				
	M20 x 1,5	30	33.0	22120.1520

Compliance

RoHS compliant

Compliant according to Directive 2011/65/EU and Directive 2015/863.

Does not contain SVHC substances

No SVHC substances with more than 0.1% w/w contained - SVHC list [REACH] as of 27.06.2024.

Does not contain Proposition 65 substances

No Proposition 65 substances included.
<https://www.P65Warnings.ca.gov/>

Free from Conflict Minerals