

**Index Plungers · with hexagon collar, stainless steel A4**  
22120.1068



**Product Description**

Index plungers are used for indexing bores.  
The stainless steel A4 version ensures maximum corrosion resistance.

**Material**

**Body**

- Stainless steel 1.4401

**Locking pin**

- Stainless steel 1.4401 nickel-plated

**Knob**

- Thermoplastic PA 6, black-grey, matt

**Lock nut**

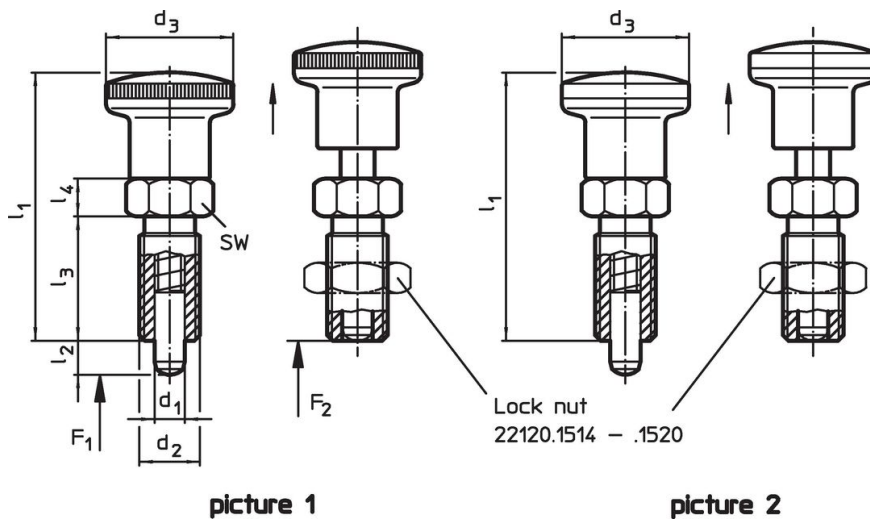
- Stainless steel 1.4401

**More information**

**Notes**

Knob not removable.  
Lock nuts have to be purchased separately.

**Drawing**




### Order information

d <sub>1</sub> -0.02 -0.05	d <sub>2</sub>	Dimensions					Spring load <sup>1)</sup>		min.   max.		[g]	Art. No.
		l <sub>2</sub> min.	d <sub>3</sub>	l <sub>1</sub>	l <sub>3</sub>	l <sub>4</sub>	F <sub>1</sub> ~	F <sub>2</sub> ~	[°C]			
[mm]												
<b>with knob of thermoplastic – picture 1</b>												
8	M16 x 1,5	8	28	58	26	8	6	23	-30	80	66	22120.1068

<sup>1)</sup> statistical average value

### Accessories

	Dimensions d <sub>2</sub> [mm]	Wrench size [mm]	[g]	Art. No.
<b>Lock nuts ISO 8675 (DIN 439), Stainless steel 1.4401</b>				
	M16 x 1,5	24	18.0	22120.1518

### Compliance

#### RoHS compliant

Compliant according to Directive 2011/65/EU and Directive 2015/863.

#### Does not contain SVHC substances

No SVHC substances with more than 0.1% w/w contained - SVHC list [REACH] as of 23.01.2024.

#### Does not contain Proposition 65 substances

No Proposition 65 substances included.

<https://www.P65Warnings.ca.gov/>

#### Free from Conflict Minerals