

Index Plungers · simple finish

22120.0765



**Product Description**

Application is limited to cases not requiring a precise positioning.  
Simple finish with very small dimensions.

**Material**

**Body**

- Steel, zinc-plated by galvanization

**Locking pin**

- Stainless steel 1.4305

**Knob**

- Thermoplastic PA 6, black, dull

**Operation**

When using locking index plungers, the knob is pulled-out, turned 90° and secured by a notched catch (when locking pin should not overhang).

**More information**

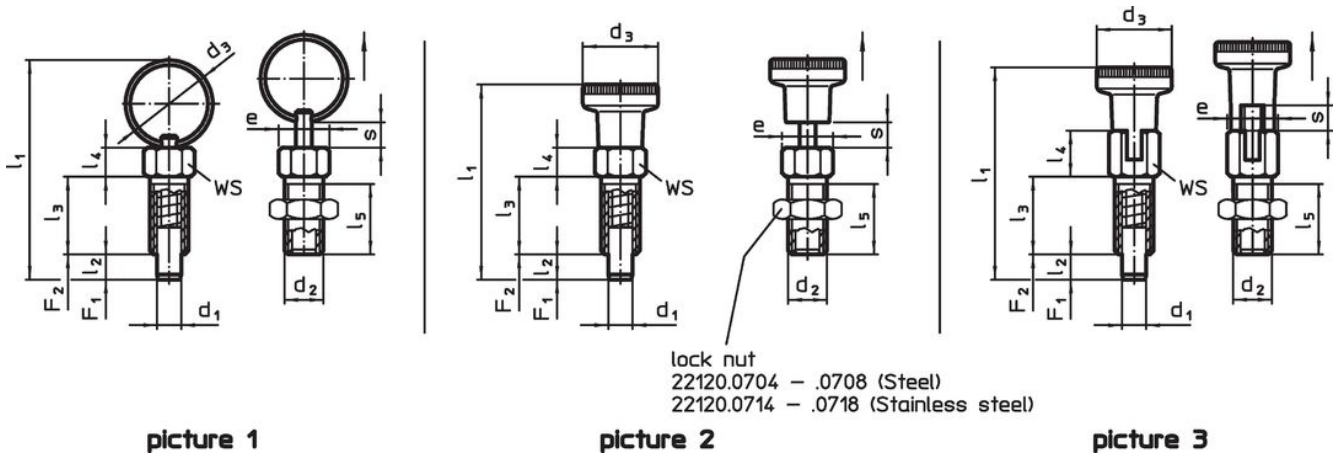
**Notes**

Lock nuts have to be purchased separately.  
Knob not removable.

**Further products**

- Locating Bushings, for index bolts and index plungers

**Drawing**




Order information

Dimensions											WS [mm]	Tightening torque max. [Nm]	Spring load <sup>1)</sup>		Temperature		Weight [g]	Art. No.
d <sub>1</sub>	d <sub>2</sub>	d <sub>3</sub>	e	l <sub>1</sub>	l <sub>2</sub> min.	l <sub>3</sub>	l <sub>4</sub>	l <sub>5</sub>	s min.	F <sub>1</sub> ~			F <sub>2</sub> ~	min.	max.			
[mm]													[N]	[N]	[°C]	[g]		
with knob and locking – picture 3, Steel																		
5	M8	16	9.2	43.5	5	16	9.5	13.5	5	8	7	5	24	-30	80	9.8	22120.0765	

<sup>1)</sup> statistical average value

Accessories

Image	Dimensions	Wrench size	Weight [g]	Art. No.
	d <sub>2</sub> [mm]	[mm]		
Steel				
	M 8	13	2.8	22120.0705

Application example



Compliance

RoHS compliant

Contains lead - compliant according to exceptions 6a / 6b / 6c.

Contains SVHC substances >0,1% w/w

Contains lead - SVHC list [REACH] as of 23.01.2024.

Contains Proposition 65 substances



Lead can cause cancer and reproductive harm from exposure  
<https://www.P65Warnings.ca.gov/>

Free from Conflict Minerals

This product does not contain any substances designated as "conflict minerals" such as tantalum, tin, gold or tungsten from the Democratic Republic of Congo or adjacent countries.