

**Index Plungers · with mounting flange, horizontal, stainless steel**  
22110.2306



**Product Description**

Index plungers are used for indexing bores.

**Material**

**Housing**

- Stainless steel 1.4308, precision casting, bright, matt blasted

**Locking pin**

- Stainless steel 1.4305

**Pull-ring**

- Stainless steel 1.4310

**Assembly**

Assembly by means of washers ISO 7092.

**Operation**

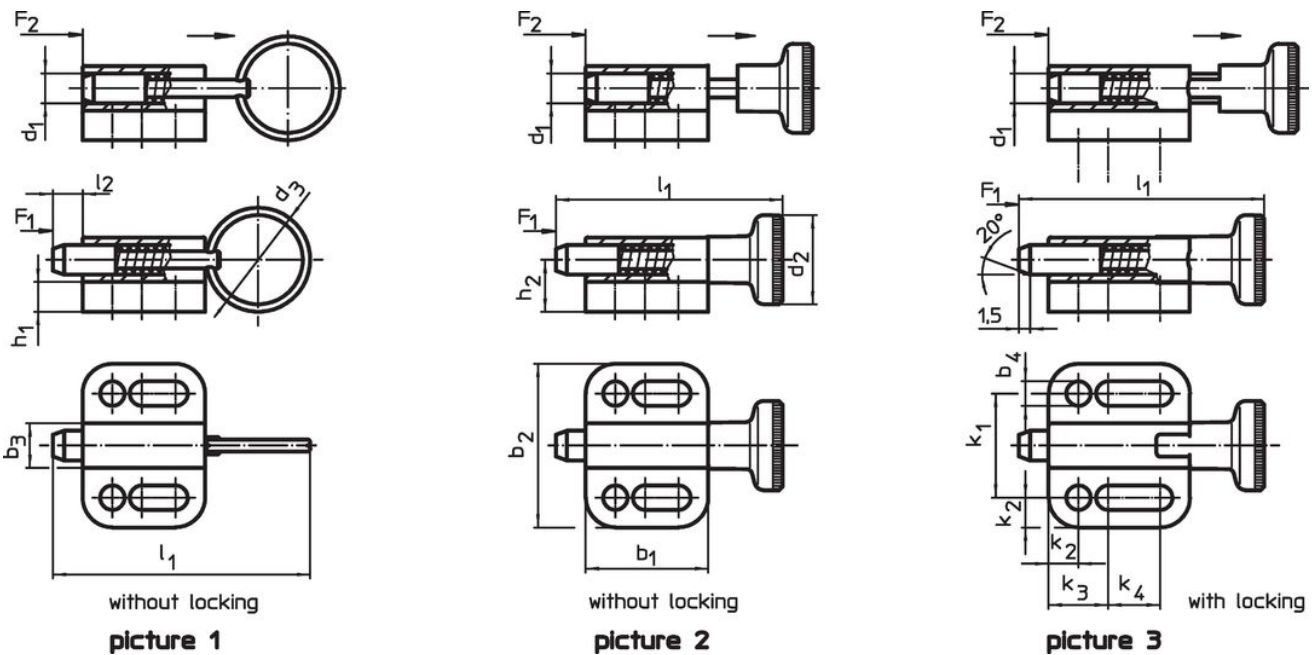
When using locking index plungers, the knob is pulled-out, turned 90° and secured by a notched catch (when locking pin should not overhang).

**More information**

**Notes**

Knob not removable.

**Drawing**



**Order information**

Dimensions													Spring load <sup>1)</sup>			🌡️	📦	Art. No.			
d <sub>1</sub>	d <sub>3</sub>	b <sub>1</sub>	b <sub>2</sub>	b <sub>3</sub>	b <sub>4</sub>	h <sub>1</sub>	h <sub>2</sub>	k <sub>1</sub>	k <sub>2</sub>	k <sub>3</sub>	k <sub>4</sub>	l <sub>1</sub>	l <sub>2</sub>	F <sub>1</sub>	F <sub>2</sub>	max.	[g]				
h11					-0.2			±0.05					min.	~	~						
[mm]																					
[N]																					
[°C]																					
<b>with pull-ring, without locking – picture 1</b>																					
6	24	27.5	32	10	5.4	5	10.5	21	5.5	12	10	57.5	6	5	21	100	42	<b>22110.2306</b>			

<sup>1)</sup> statistical average value

## Compliance

### RoHS compliant

Compliant according to Directive 2011/65/EU and Directive 2015/863.

### Does not contain SVHC substances

No SVHC substances with more than 0.1% w/w contained - SVHC list [REACH] as of 23.01.2024.

### Does not contain Proposition 65 substances

No Proposition 65 substances included.

<https://www.P65Warnings.ca.gov/>

### Free from Conflict Minerals