

Index Plungers Mini Indexes

22110.2034



Product Description

Particularly suitable for screwing into thin walled pieces.
Performance in the smallest space requirements.

Material

Body

- Steel, zinc-plated by galvanization

Locking pin

- Stainless steel 1.4305

Knob

- Thermoplastic PA 6, black, dull
- Thermoplast PA 6, red, dull

Assembly

Screw in the mini index. By lifting the knob, the hexagon will be released for assembly.
The screw length can be adapted by distance collars for index plungers (EH 22120.).

Operation

When using the self-locking type the knob is pulled-out, turned 30° and secured by a notched catch.

More information

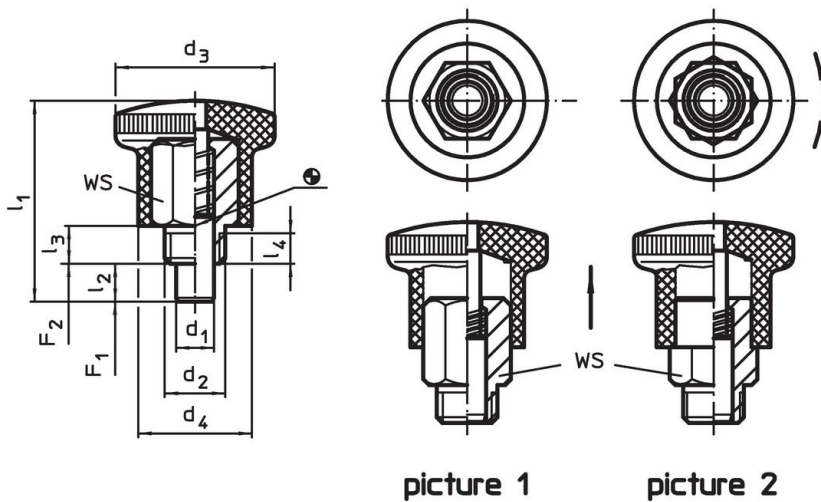
Notes

Knob not removable.

Further products

- Distance Collars, for index plungers

Drawing



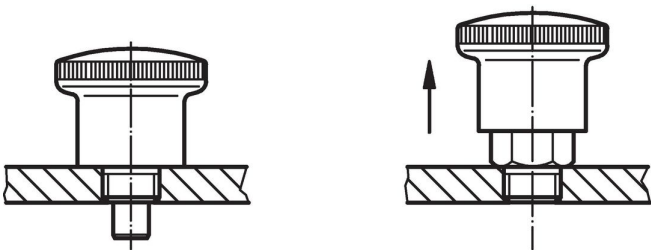
Order information

| Dimensions | | | | | | | | WS | Spring load ¹⁾ | | Temperature | | Weight | Art. No. |
|--|-----------|-------|-------|-------|---------------|-------|---------------|------|---------------------------|------------|-------------|------|--------|------------|
| d_1 | d_2 | d_3 | d_4 | l_1 | l_2 min. | l_3 | l_4 min. | | F_1 ~ | F_2 ~ | min. | max. | | |
| [mm] | | | | | | | | [mm] | [N] | | [°C] | | [g] | |
| 0 -0.06 | | | | | | | | | | | | | | |
| with locking, knob red – picture 2, Steel | | | | | | | | | | | | | | |
| 4 | M8 x 0,75 | 21 | 15 | 26.5 | 5 | 5 | 3.5 | 10 | 4.5 | 12 | -30 | 80 | 13 | 22110.2034 |

¹⁾ statistical average value

Application example





Compliance

RoHS compliant

Compliant according to Directive 2011/65/EU and Directive 2015/863.

Does not contain SVHC substances

No SVHC substances with more than 0.1% w/w contained - SVHC list [REACH] as of 23.01.2024.

Does not contain Proposition 65 substances

No Proposition 65 substances included.
<https://www.P65Warnings.ca.gov/>

Free from Conflict Minerals

This product does not contain any substances designated as "conflict minerals" such as tantalum, tin, gold or tungsten from the Democratic Republic of Congo or adjacent countries.