

**Index Plungers · with mounting flange, horizontal**  
22110.0310



**Product Description**

Index plungers are used for indexing bores.

**Material**

**Housing**

- Zinc die-cast, plastic coated, black

**Locking pin**

- Stainless steel 1.4305

**Pull-ring**

- Stainless steel 1.4310

**Assembly**

Assembly by means of washers ISO 7092.

**Operation**

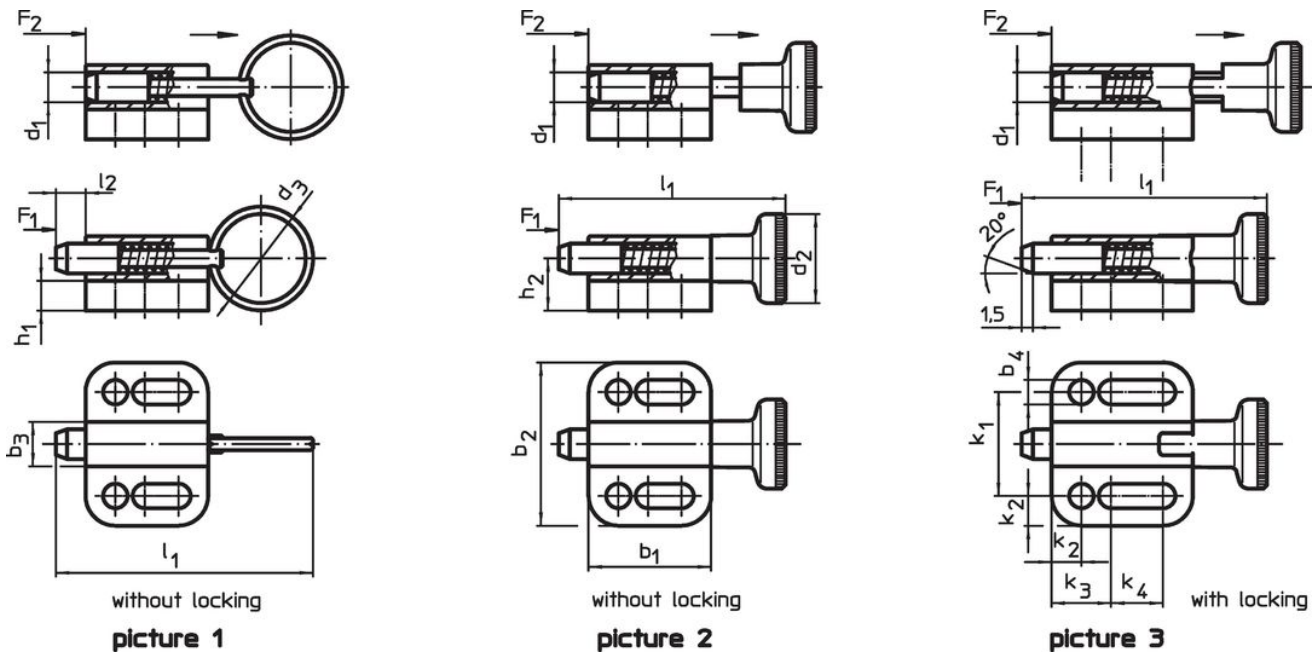
When using locking index plungers, the knob is pulled-out, turned 90° and secured by a notched catch (when locking pin should not overhang).

**More information**

**Notes**

Knob not removable.

**Drawing**

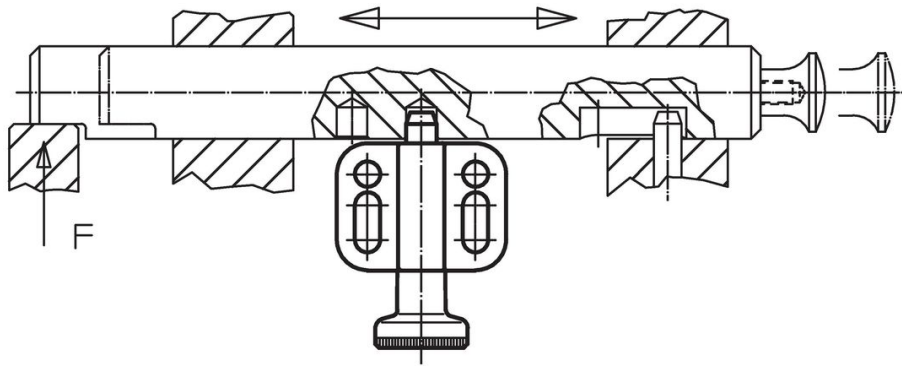


**Order information**

Dimensions														Spring load <sup>1)</sup>			max.	[g]	Art. No.			
d <sub>1</sub>	d <sub>3</sub>	b <sub>1</sub>	b <sub>2</sub>	b <sub>3</sub>	b <sub>4</sub>	h <sub>1</sub>	h <sub>2</sub>	k <sub>1</sub>	k <sub>2</sub>	k <sub>3</sub>	k <sub>4</sub>	l <sub>1</sub>	l <sub>2</sub>	F <sub>1</sub>	F <sub>2</sub>							
h11					-0.2			±0.05					min.	~	~							
[mm]																			[N]	[°C]	[g]	
<b>with pull-ring, without locking – picture 1</b>																						
10	30	35	39	14.5	6.5	6	14.5	27	6	15	13.5	75	10	4	25	100	83	22110.0310				

<sup>1)</sup> statistical average value

### Application example



### Compliance

#### RoHS compliant

Compliant according to Directive 2011/65/EU and Directive 2015/863.

#### Does not contain SVHC substances

No SVHC substances with more than 0.1% w/w contained - SVHC list [REACH] as of 23.01.2024.

#### Does not contain Proposition 65 substances

No Proposition 65 substances included.

<https://www.P65Warnings.ca.gov/>

#### Free from Conflict Minerals

This product does not contain any substances designated as "conflict minerals" such as tantalum, tin, gold or tungsten from the Democratic Republic of Congo or adjacent countries.