

## Spring Plungers · smooth, long, with collar and ball

22080.1106



### Product Description

Spring plungers can be used for locating or for applying pressure, as a detent or for ejection. This version has higher spring forces than the standard version. "EH 22080. Spring Plungers, smooth, with collar and ball".

### Material

#### Body

- Stainless steel 1.4303

#### Ball

- Stainless steel, hardened

#### Spring

- Stainless steel

### More information

#### Notes

Special types on request.  
Spring plungers are specially tested for spring range and forces.

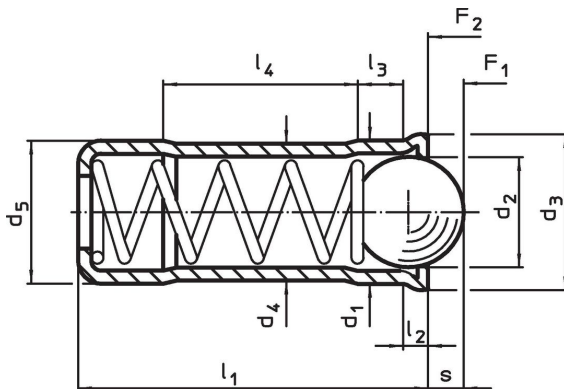
#### References

Calculation of indexing resistance, please refer to appendix - Technical Data -

#### Further products

- Spring Plungers, smooth, with collar and ball
- Locators, with bore hole, for spring plungers
- Locators, smooth, for spring plungers

### Drawing

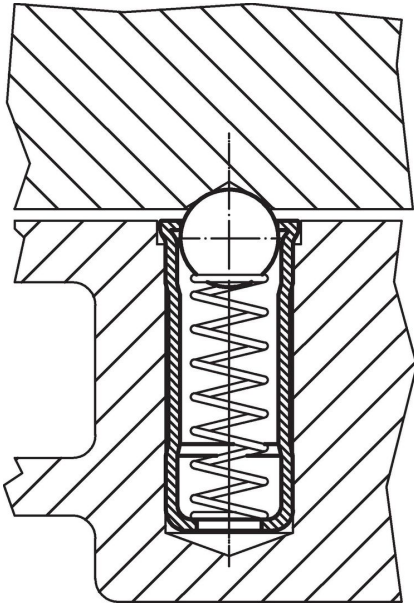


### Order information

Dimensions										Stroke $s$ +0.2 -0.1 [mm]	Spring load <sup>1)</sup>		max. [°C]	Location hole H7 [mm]	[g]	Art. No.
$d_1$ +0.1 +0.04	$d_2$	$d_3$	$d_4$	$d_5$ ±0.04	$l_1$	$l_2$ ~	$l_3$ ~	$l_4$ ~	[mm]		$F_1$ ~	$F_2$ ~				
6	5	6.5	5.85	6	15	1	2.3	8.2	1.7	28	47.5	250	6	1.7	22080.1106	

<sup>1)</sup> statistical average value

## Application example



## Compliance

### RoHS compliant

Compliant according to Directive 2011/65/EU and Directive 2015/863.

### Does not contain SVHC substances

No SVHC substances with more than 0.1% w/w contained - SVHC list [REACH] as of 27.06.2024.

### Does not contain Proposition 65 substances

No Proposition 65 substances included.

<https://www.P65Warnings.ca.gov/>

### Free from Conflict Minerals

This product does not contain any substances designated as "conflict minerals" such as tantalum, tin, gold or tungsten from the Democratic Republic of Congo or adjacent countries.