

Stops · gripper studs

1586.021



Product Description

Gripper insert consists of two pins from HSS, when clamped they penetrate into the workpiece surface and may leave residual marks.

Material

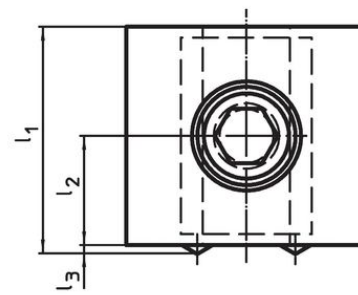
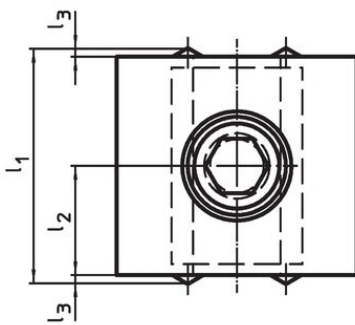
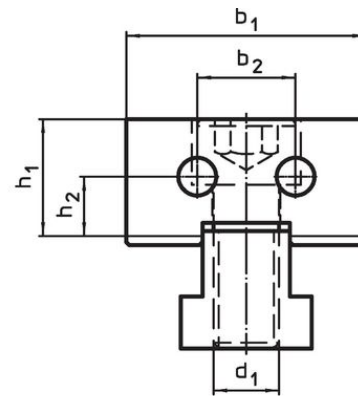
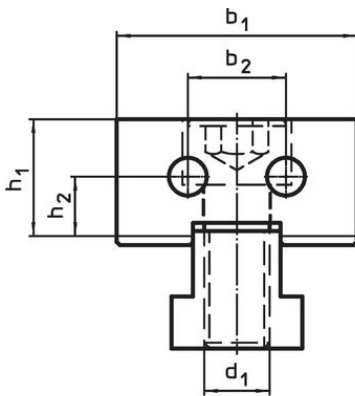
Insert

- Hard metal, pointed

Body

- Tool steel, hardened

Drawing



picture 1

picture 2

Order information

Dimensions								[g]	Art. No.
d ₁	l ₁	l ₂ ±0.01	l ₃	b ₁ -0.05 [mm]	b ₂	h ₁	h ₂		
gripper studs and plain – picture 2									
M12	41	20	1	44	18	21.4	11	395	1586.021

Compliance

RoHS compliant

Compliant according to Directive 2011/65/EU and Directive 2015/863.

Does not contain SVHC substances

No SVHC substances with more than 0.1% w/w contained - SVHC list [REACH] as of 23.01.2024.

Does not contain Proposition 65 substances

No Proposition 65 substances included.

<https://www.P65Warnings.ca.gov/>

Free from Conflict Minerals

This product does not contain any substances designated as "conflict minerals" such as tantalum, tin, gold or tungsten from the Democratic Republic of Congo or adjacent countries.