

Kaulukselliset Sormiruuvit • DIN 464

EH 24790.



Tuotekuvaus

Knurled thumb screws are very versatile. Three material versions for the different requirements

- steel, blackened
- steel, zinc-plated by galvanization
- stainless steel

are available.

Knurled thumb screws can be easily tightened and released by hand. The ribbed outer surface of the nut prevents slipping when tightening / releasing with the fingers.

Pyälletyt sormiruuvit on valmistettu yhdestä kappaleesta.

Poiketen virallisesta standardi sivusta, niissä yleensä on nuppiin asti ulottuva kierre eikä niissä ole kierteen pääteuraa. Tämän vuoksi ruuveja ei voida kiertää kokonaan kaulukseen asti.

Materiaali

- Teräs, mustattu, lujuus 5.8
- Teräs, sinkitty galvanoimalla, laatuluokka 5.8
- Ruostumaton teräs 1.4305, himmeäksi puhallettu

Lisätietoja

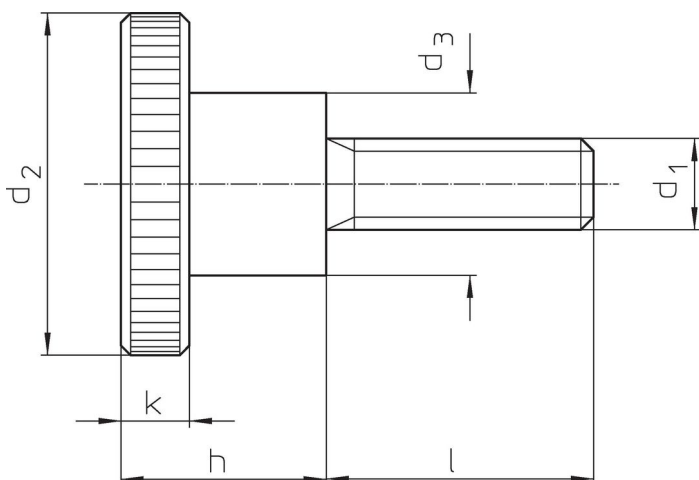
Huomioi

Pyällyksen syvyys ja tiheys voi poiketa DIN standardista.

Lisää tuotteita


- Litteät sormiruuvit, DIN 653

Piirustus



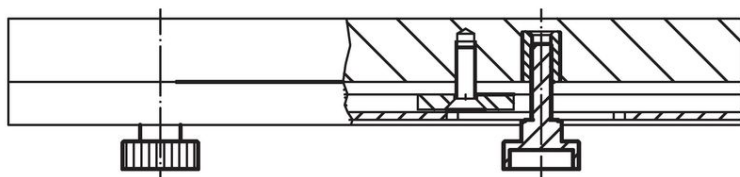
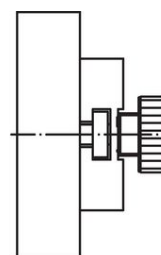
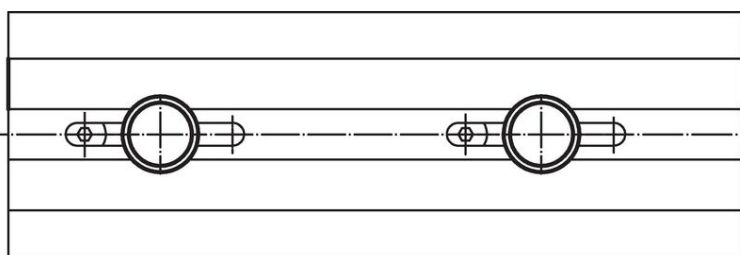
Tilaustiedot

d ₁	l	d ₂	Ulkomitat			h	k	[g]	Til.nro
			d ₃	[mm]					
Teräs, mustattu									
M 3	6	12	6		7,5	2,5	3,7	24790.0074	
M 3	10	12	6		7,5	2,5	3,8	24790.0076	
M 3	12	12	6		7,5	2,5	4,0	24790.0077	
M 3	16	12	6		7,5	2,5	4,0	24790.0079	
M 3	20	12	6		7,5	2,5	4,5	24790.0081	
M 4	5	16	8		9,5	3,5	7,7	24790.0092	
M 4	8	16	8		9,5	3,5	8,0	24790.0094	
M 4	10	16	8		9,5	3,5	8,1	24790.0095	
M 4	12	16	8		9,5	3,5	8,6	24790.0096	
M 4	16	16	8		9,5	3,5	8,4	24790.0098	
M 4	20	16	8		9,5	3,5	9,1	24790.0100	
M 4	25	16	8		9,5	3,5	9,0	24790.0102	
M 5	6	20	10		11,5	4,0	14,0	24790.0112	
M 5	8	20	10		11,5	4,0	15,0	24790.0113	
M 5	10	20	10		11,5	4,0	15,0	24790.0114	
M 5	12	20	10		11,5	4,0	15,0	24790.0115	

d ₁	l	Ulkomitat			h	k	 [g]	Til.nro
		d ₂	d ₃ [mm]					
M 5	16	20	10	11,5	4,0	16,0	24790.0117	
M 5	20	20	10	11,5	4,0	16,0	24790.0119	
M 5	25	20	10	11,5	4,0	17,0	24790.0121	
M 5	30	20	10	11,5	4,0	17,0	24790.0123	
M 6	8	24	12	15,0	5,0	28,0	24790.0132	
M 6	10	24	12	15,0	5,0	27,0	24790.0133	
M 6	12	24	12	15,0	5,0	28,0	24790.0134	
M 6	16	24	12	15,0	5,0	28,0	24790.0136	
M 6	20	24	12	15,0	5,0	29,0	24790.0138	
M 6	25	24	12	15,0	5,0	30,0	24790.0140	
M 6	30	24	12	15,0	5,0	31,0	24790.0142	
M 6	35	24	12	15,0	5,0	31,0	24790.0144	
M 8	12	30	16	18,0	6,0	53,0	24790.0152	
M 8	16	30	16	18,0	6,0	55,0	24790.0154	
M 8	20	30	16	18,0	6,0	56,0	24790.0156	
M 8	25	30	16	18,0	6,0	58,0	24790.0158	
M 8	30	30	16	18,0	6,0	60,0	24790.0160	
M 8	35	30	16	18,0	6,0	62,0	24790.0162	
M 8	40	30	16	18,0	6,0	61,0	24790.0164	
M10	15	36	20	23,0	8,0	104,0	24790.0171	
M10	20	36	20	23,0	8,0	106,0	24790.0173	
M10	25	36	20	23,0	8,0	109,0	24790.0175	
M10	30	36	20	23,0	8,0	112,0	24790.0177	
M10	35	36	20	23,0	8,0	116,0	24790.0179	
M10	40	36	20	23,0	8,0	116,0	24790.0181	
Teräs, galvanoitu								
M 3	6	12	6	7,5	2,5	4,0	24790.0474	
M 3	8	12	6	7,5	2,5	4,0	24790.0475	
M 3	10	12	6	7,5	2,5	4,0	24790.0476	
M 3	12	12	6	7,5	2,5	4,0	24790.0477	
M 3	16	12	6	7,5	2,5	5,0	24790.0479	
M 3	20	12	6	7,5	2,5	5,0	24790.0481	
M 4	5	16	8	9,5	3,5	9,0	24790.0492	
M 4	8	16	8	9,5	3,5	8,0	24790.0494	
M 4	10	16	8	9,5	3,5	8,0	24790.0495	
M 4	12	16	8	9,5	3,5	8,0	24790.0496	
M 4	16	16	8	9,5	3,5	8,0	24790.0498	
M 4	20	16	8	9,5	3,5	9,0	24790.0500	
M 4	25	16	8	9,5	3,5	9,0	24790.0502	
M 5	6	20	10	11,5	4,0	15,0	24790.0512	
M 5	8	20	10	11,5	4,0	15,0	24790.0513	
M 5	10	20	10	11,5	4,0	15,0	24790.0514	
M 5	12	20	10	11,5	4,0	14,0	24790.0515	
M 5	16	20	10	11,5	4,0	15,0	24790.0517	
M 5	20	20	10	11,5	4,0	16,0	24790.0519	
M 5	25	20	10	11,5	4,0	16,0	24790.0521	
M 5	30	20	10	11,5	4,0	17,0	24790.0523	
M 6	8	24	12	15,0	5,0	27,0	24790.0532	
M 6	10	24	12	15,0	5,0	27,0	24790.0533	
M 6	12	24	12	15,0	5,0	27,0	24790.0534	
M 6	16	24	12	15,0	5,0	28,0	24790.0536	
M 6	20	24	12	15,0	5,0	29,0	24790.0538	
M 6	25	24	12	15,0	5,0	28,0	24790.0540	
M 6	30	24	12	15,0	5,0	30,0	24790.0542	
M 6	35	24	12	15,0	5,0	31,0	24790.0544	
M 8	12	30	16	18,0	6,0	55,0	24790.0552	
M 8	16	30	16	18,0	6,0	55,0	24790.0554	
M 8	20	30	16	18,0	6,0	56,0	24790.0556	
M 8	25	30	16	18,0	6,0	58,0	24790.0558	
M 8	30	30	16	18,0	6,0	50,0	24790.0560	
M 8	35	30	16	18,0	6,0	63,0	24790.0562	
M 8	40	30	16	18,0	6,0	62,0	24790.0564	

d ₁	l	Ulkomitat			h	k	[g]	Til.nro
		d ₂	d ₃	[mm]				
M10	12	36	20	23,0	8,0	105,0	24790.0570	
M10	15	36	20	23,0	8,0	106,0	24790.0571	
M10	20	36	20	23,0	8,0	107,0	24790.0573	
M10	25	36	20	23,0	8,0	110,0	24790.0575	
M10	30	36	20	23,0	8,0	112,0	24790.0577	
M10	35	36	20	23,0	8,0	115,0	24790.0579	
M10	40	36	20	23,0	8,0	116,0	24790.0581	
Ruostumaton teräs 1.4305								
M 3	6	12	6	7,5	2,5	3,7	24790.0274	
M 3	10	12	6	7,5	2,5	3,8	24790.0276	
M 3	12	12	6	7,5	2,5	4,0	24790.0277	
M 3	16	12	6	7,5	2,5	4,0	24790.0279	
M 4	8	16	8	9,5	3,5	8,0	24790.0294	
M 4	10	16	8	9,5	3,5	8,1	24790.0295	
M 4	12	16	8	9,5	3,5	8,6	24790.0296	
M 4	16	16	8	9,5	3,5	8,4	24790.0298	
M 4	20	16	8	9,5	3,5	9,1	24790.0300	
M 4	25	16	8	9,5	3,5	9,0	24790.0302	
M 5	10	20	10	11,5	4,0	15,0	24790.0314	
M 5	12	20	10	11,5	4,0	15,0	24790.0315	
M 5	16	20	10	11,5	4,0	16,0	24790.0317	
M 5	20	20	10	11,5	4,0	16,0	24790.0319	
M 5	25	20	10	11,5	4,0	17,0	24790.0321	
M 5	30	20	10	11,5	4,0	17,0	24790.0323	
M 6	12	24	12	15,0	5,0	28,0	24790.0334	
M 6	16	24	12	15,0	5,0	28,0	24790.0336	
M 6	20	24	12	15,0	5,0	29,0	24790.0338	
M 6	25	24	12	15,0	5,0	30,0	24790.0340	
M 6	30	24	12	15,0	5,0	31,0	24790.0342	
M 6	35	24	12	15,0	5,0	31,0	24790.0344	
M 8	16	30	16	18,0	6,0	55,0	24790.0354	
M 8	20	30	16	18,0	6,0	56,0	24790.0356	
M 8	25	30	16	18,0	6,0	58,0	24790.0358	
M 8	30	30	16	18,0	6,0	60,0	24790.0360	
M 8	35	30	16	18,0	6,0	62,0	24790.0362	

Sovellusesimerkki



Vaatimuksenmukaisuus

Tarkat sopivuustiedot nähdäksesi valitse haluttu tuotenumero.