

Litteät sormiruuvit • DIN 653

EH 24770.



Tuotekuvaus

Pyällelyt sormiruuvit on valmistettu yhdestä kappaleesta ja kierre ulottuu nuppiin asti (DIN-kuvaus A).

Materiaali

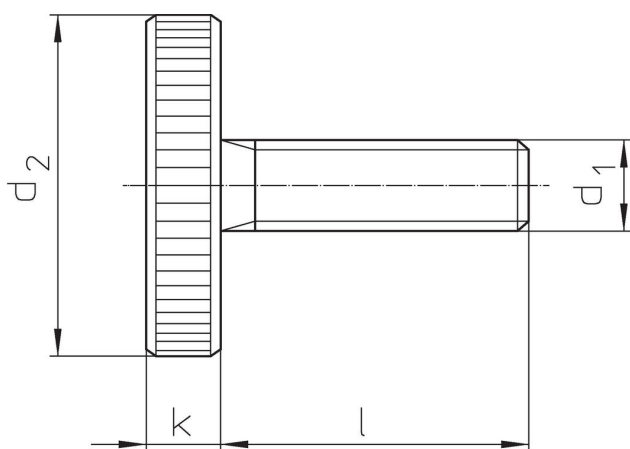
- Teräs, mustattu, lujuus 5.8
- Steel, zinc-plated by galvanization, quality 5.8
- Ruostumaton teräs 1.4305, himmeäksi puhallettu

Lisätietoja


Huomioi

Pyällyksen syvyys ja tiheys voi poiketa DIN standardista.


Piirustus



Tilaustiedot

d_1	l	Ulkomitat [mm]	d_2	k	 [g]	Til.nro
Teräs, mustattu						
M 3	6		12	2,5	2,3	24770.0072
M 3	8		12	2,5	2,4	24770.0073
M 3	10		12	2,5	2,5	24770.0074
M 3	16		12	2,5	2,7	24770.0077
M 3	20		12	2,5	2,9	24770.0079
M 4	8		16	3,5	5,6	24770.0092
M 4	10		16	3,5	5,7	24770.0093
M 4	12		16	3,5	6,1	24770.0094
M 4	16		16	3,5	6,2	24770.0096
M 4	20		16	3,5	6,6	24770.0098
M 4	25		16	3,5	7,1	24770.0100
M 5	10		20	4,0	10,0	24770.0112
M 5	12		20	4,0	11,0	24770.0113
M 5	16		20	4,0	12,0	24770.0115
M 5	20		20	4,0	12,0	24770.0117
M 5	25		20	4,0	12,0	24770.0119
M 5	30		20	4,0	13,0	24770.0121
M 6	12		24	5,0	18,0	24770.0132
M 6	16		24	5,0	20,0	24770.0134
M 6	20		24	5,0	21,0	24770.0136
M 6	25		24	5,0	21,0	24770.0138
M 6	30		24	5,0	22,0	24770.0140

d ₁	Ulkomitat		d ₂	k	[g]	Til.nro
	l	[mm]				
M 6	40		24	5,0	23,0	24770.0142
M 8	16		30	6,0	36,0	24770.0152
M 8	20		30	6,0	37,0	24770.0154
M 8	25		30	6,0	39,0	24770.0156
M 8	30		30	6,0	40,0	24770.0158
M 8	35		30	6,0	42,0	24770.0160
M 8	40		30	6,0	44,0	24770.0161
M10	20		36	8,0	71,0	24770.0172
M10	25		36	8,0	72,0	24770.0174
M10	30		36	8,0	76,0	24770.0176
M10	35		36	8,0	78,0	24770.0178
M10	40		36	8,0	80,0	24770.0180
Teräs, galvanoitu						
M 3	6		12	2,5	2,0	24770.0472
M 3	8		12	2,5	2,0	24770.0473
M 3	10		12	2,5	3,0	24770.0474
M 3	16		12	2,5	3,0	24770.0477
M 3	20		12	2,5	3,0	24770.0479
M 4	8		16	3,5	6,0	24770.0492
M 4	10		16	3,5	6,0	24770.0493
M 4	12		16	3,5	6,0	24770.0494
M 4	16		16	3,5	7,0	24770.0496
M 4	20		16	3,5	7,0	24770.0498
M 4	25		16	3,5	7,0	24770.0500
M 5	10		20	4,0	10,0	24770.0512
M 5	12		20	4,0	11,0	24770.0513
M 5	16		20	4,0	12,0	24770.0515
M 5	20		20	4,0	12,0	24770.0517
M 5	25		20	4,0	14,0	24770.0519
M 5	30		20	4,0	13,0	24770.0521
M 6	12		24	5,0	19,0	24770.0532
M 6	16		24	5,0	19,0	24770.0534
M 6	20		24	5,0	20,0	24770.0536
M 6	25		24	5,0	20,0	24770.0538
M 6	30		24	5,0	20,0	24770.0540
M 6	40		24	5,0	23,0	24770.0542
M 8	16		30	6,0	35,0	24770.0552
M 8	20		30	6,0	38,0	24770.0554
M 8	25		30	6,0	35,0	24770.0556
M 8	30		30	6,0	35,0	24770.0558
M 8	35		30	6,0	43,0	24770.0560
M 8	40		30	6,0	40,0	24770.0561
M10	20		36	8,0	72,0	24770.0572
M10	25		36	8,0	74,0	24770.0574
M10	30		36	8,0	76,0	24770.0576
M10	35		36	8,0	76,0	24770.0578
M10	40		36	8,0	80,0	24770.0580
Ruostumaton teräs 1.4305						
M 4	8		16	3,5	5,6	24770.0292
M 4	10		16	3,5	5,7	24770.0293
M 4	12		16	3,5	6,1	24770.0294
M 4	16		16	3,5	6,2	24770.0296
M 5	10		20	4,0	10,0	24770.0312
M 5	12		20	4,0	11,0	24770.0313
M 5	16		20	4,0	12,0	24770.0315
M 5	20		20	4,0	12,0	24770.0317
M 6	12		24	5,0	18,0	24770.0332
M 6	16		24	5,0	20,0	24770.0334
M 6	20		24	5,0	21,0	24770.0336
M 6	25		24	5,0	21,0	24770.0338
M 8	16		30	6,0	36,0	24770.0352
M 8	20		30	6,0	37,0	24770.0354

d ₁	Ulkomitat			k	 [g]	Til.nro
	l	d ₂	[mm]			
M 8	25	30		6,0	39,0	24770.0356
M 8	30	30		6,0	40,0	24770.0358
M10	20	36		8,0	71,0	24770.0372
M10	25	36		8,0	72,0	24770.0374
M10	30	36		8,0	76,0	24770.0376
M10	40	36		8,0	80,0	24770.0380

Vaatimuksenmukaisuus

Tarkat sopivuustiedot nähdäksesi valitse haluttu tuotenumero.