

Säädettävät lukitusvivut • ruostumattomilla sisäosilla, ja ruuvilla

EH 24390.



Tuotekuvaus

Säädettävä lukitusvipu ruostumattomilla sisäosilla. Monipuoliset käyttö- ja sovellusmahdollisuudet, esim. metalliteollisuudessa, kemianteollisuudessa jne.

Materiaali

Vipu

- Sinkkipainevalu, muovipäällystetty, oranssi RAL 2004, matta pinta
- Sinkkivalu, muovipinnoite, musta RAL 9005, matta

Sisäosat

- Ruostumaton teräs 1.4305

Ruuvi

- Ruostumaton teräs 1.4305

Toiminto

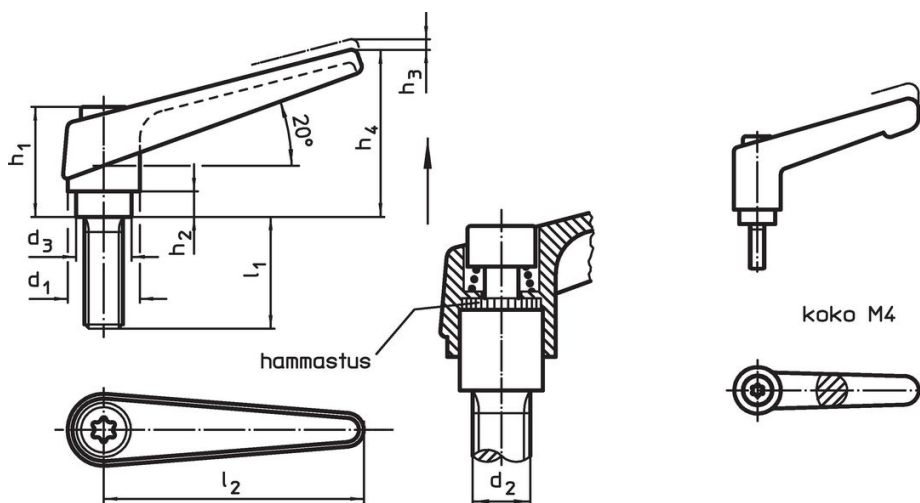
Vipua kohottamalla se vapautuu hammastuksesta, jolloin vipua voidaan asemoida hammastuksen yläpuolella. Kun vipu vapautetaan, asettuu hammastus uudestaan kohdalleen.

Lisätietoja

Huomioi

Ruuvi on vaihdettavissa.

Piirustus



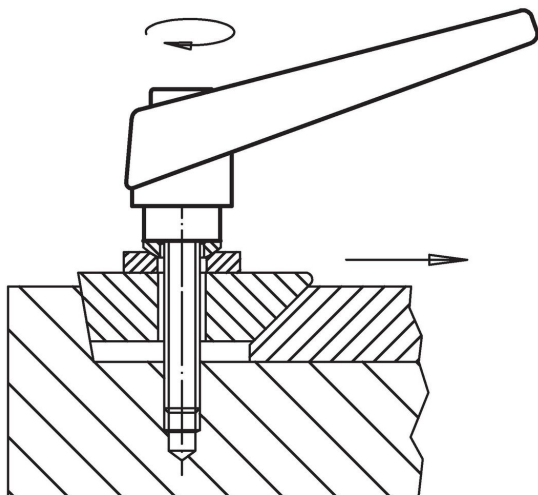
Tilaustiedot

d ₁	d ₂	l ₁	d ₃	Ulkomitat					[g]	Til.nro
				h ₁ [mm]	h ₂	h ₃	h ₄	l ₂		
Oranssi										
13	M 4	12	10,0	24,5	4,0	3,5	30,5	30	27	24390.0010
13	M 4	16	10,0	24,5	4,0	3,5	30,5	30	30	24390.0014
13	M 4	20	10,0	24,5	4,0	3,5	30,5	30	28	24390.0018
13	M 4	25	10,0	24,5	4,0	3,5	30,5	30	28	24390.0022
13	M 4	32	10,0	24,5	4,0	3,5	30,5	30	29	24390.0026
14	M 5	12	10,0	24,5	4,0	3,0	35,0	45	36	24390.0041
14	M 5	16	10,0	24,5	4,0	3,0	35,0	45	36	24390.0051
14	M 5	20	10,0	24,5	4,0	3,0	35,0	45	37	24390.0061
14	M 5	25	10,0	24,5	4,0	3,0	35,0	45	38	24390.0071
14	M 5	32	10,0	24,5	4,0	3,0	35,0	45	38	24390.0081
14	M 5	40	10,0	24,5	4,0	3,0	35,0	45	39	24390.0086
14	M 6	12	10,0	24,5	4,0	3,0	35,0	45	37	24390.0131
14	M 6	16	10,0	24,5	4,0	3,0	35,0	45	37	24390.0141
14	M 6	20	10,0	24,5	4,0	3,0	35,0	45	38	24390.0151
14	M 6	25	10,0	24,5	4,0	3,0	35,0	45	39	24390.0161
14	M 6	32	10,0	24,5	4,0	3,0	35,0	45	40	24390.0171
14	M 6	40	10,0	24,5	4,0	3,0	35,0	45	41	24390.0181
14	M 6	50	10,0	24,5	4,0	3,0	35,0	45	43	24390.0191
18	M 8	16	13,5	31,0	6,5	3,0	45,0	62	74	24390.0331

d ₁	d ₂	l ₁	d ₃	Ulkomitat					l ₂	[g]	Til.nro
				h ₁	h ₂	h ₃	h ₄	[mm]			
18	M 8	20	13,5	31,0	6,5	3,0	45,0	62	76	24390.0341	
18	M 8	25	13,5	31,0	6,5	3,0	45,0	62	77	24390.0351	
18	M 8	32	13,5	31,0	6,5	3,0	45,0	62	79	24390.0361	
18	M 8	40	13,5	31,0	6,5	3,0	45,0	62	81	24390.0371	
18	M 8	50	13,5	31,0	6,5	3,0	45,0	62	84	24390.0381	
18	M 8	63	13,5	31,0	6,5	3,0	45,0	62	89	24390.0391	
22	M10	20	16,0	36,0	8,0	3,5	52,0	74	128	24390.0441	
22	M10	25	16,0	36,0	8,0	3,5	52,0	74	130	24390.0451	
22	M10	32	16,0	36,0	8,0	3,5	52,0	74	134	24390.0461	
22	M10	40	16,0	36,0	8,0	3,5	52,0	74	138	24390.0471	
22	M10	50	16,0	36,0	8,0	3,5	52,0	74	143	24390.0481	
22	M10	63	16,0	36,0	8,0	3,5	52,0	74	148	24390.0486	
22	M10	80	16,0	36,0	8,0	3,5	52,0	74	157	24390.0491	
25	M12	25	19,0	43,0	11,0	4,0	63,0	89	205	24390.0541	
25	M12	32	19,0	43,0	11,0	4,0	63,0	89	209	24390.0551	
25	M12	40	19,0	43,0	11,0	4,0	63,0	89	215	24390.0561	
25	M12	50	19,0	43,0	11,0	4,0	63,0	89	222	24390.0571	
25	M12	63	19,0	43,0	11,0	4,0	63,0	89	232	24390.0581	
25	M12	80	19,0	43,0	11,0	4,0	63,0	89	240	24390.0591	
30	M16	32	23,0	50,5	12,0	5,0	76,0	108	348	24390.0641	
30	M16	40	23,0	50,5	12,0	5,0	76,0	108	357	24390.0651	
30	M16	50	23,0	50,5	12,0	5,0	76,0	108	370	24390.0661	
30	M16	63	23,0	50,5	12,0	5,0	76,0	108	386	24390.0671	
30	M16	80	23,0	50,5	12,0	5,0	76,0	108	407	24390.0681	
Musta											
13	M 4	12	10,0	24,5	4,0	3,5	30,5	30	27	24390.0012	
13	M 4	16	10,0	24,5	4,0	3,5	30,5	30	30	24390.0016	
13	M 4	20	10,0	24,5	4,0	3,5	30,5	30	28	24390.0020	
13	M 4	25	10,0	24,5	4,0	3,5	30,5	30	28	24390.0024	
13	M 4	32	10,0	24,5	4,0	3,5	30,5	30	29	24390.0028	
14	M 5	12	10,0	24,5	4,0	3,0	35,0	45	36	24390.0044	
14	M 5	16	10,0	24,5	4,0	3,0	35,0	45	36	24390.0054	
14	M 5	20	10,0	24,5	4,0	3,0	35,0	45	37	24390.0064	
14	M 5	25	10,0	24,5	4,0	3,0	35,0	45	38	24390.0074	
14	M 5	32	10,0	24,5	4,0	3,0	35,0	45	38	24390.0084	
14	M 5	40	10,0	24,5	4,0	3,0	35,0	45	39	24390.0089	
14	M 6	12	10,0	24,5	4,0	3,0	35,0	45	37	24390.0134	
14	M 6	16	10,0	24,5	4,0	3,0	35,0	45	37	24390.0144	
14	M 6	20	10,0	24,5	4,0	3,0	35,0	45	38	24390.0154	
14	M 6	25	10,0	24,5	4,0	3,0	35,0	45	39	24390.0164	
14	M 6	32	10,0	24,5	4,0	3,0	35,0	45	40	24390.0174	
14	M 6	40	10,0	24,5	4,0	3,0	35,0	45	41	24390.0184	
14	M 6	50	10,0	24,5	4,0	3,0	35,0	45	43	24390.0194	
18	M 8	16	13,5	31,0	6,5	3,0	45,0	62	74	24390.0334	
18	M 8	20	13,5	31,0	6,5	3,0	45,0	62	76	24390.0344	
18	M 8	25	13,5	31,0	6,5	3,0	45,0	62	77	24390.0354	
18	M 8	32	13,5	31,0	6,5	3,0	45,0	62	79	24390.0364	
18	M 8	40	13,5	31,0	6,5	3,0	45,0	62	81	24390.0374	
18	M 8	50	13,5	31,0	6,5	3,0	45,0	62	84	24390.0384	
18	M 8	63	13,5	31,0	6,5	3,0	45,0	62	89	24390.0394	
22	M10	20	16,0	36,0	8,0	3,5	52,0	74	128	24390.0444	
22	M10	25	16,0	36,0	8,0	3,5	52,0	74	130	24390.0454	
22	M10	32	16,0	36,0	8,0	3,5	52,0	74	134	24390.0464	
22	M10	40	16,0	36,0	8,0	3,5	52,0	74	138	24390.0474	
22	M10	50	16,0	36,0	8,0	3,5	52,0	74	143	24390.0484	
22	M10	63	16,0	36,0	8,0	3,5	52,0	74	148	24390.0489	
22	M10	80	16,0	36,0	8,0	3,5	52,0	74	157	24390.0494	
25	M12	25	19,0	43,0	11,0	4,0	63,0	89	205	24390.0544	
25	M12	32	19,0	43,0	11,0	4,0	63,0	89	209	24390.0554	
25	M12	40	19,0	43,0	11,0	4,0	63,0	89	215	24390.0564	
25	M12	50	19,0	43,0	11,0	4,0	63,0	89	222	24390.0574	
25	M12	63	19,0	43,0	11,0	4,0	63,0	89	232	24390.0584	

d ₁	d ₂	l ₁	d ₃	Ulkomitat					[g]	Til.nro
				h ₁	h ₂	h ₃	h ₄	l ₂		
25	M12	80	19,0	43,0	11,0	4,0	63,0	89	240	24390.0594
30	M16	32	23,0	50,5	12,0	5,0	76,0	108	348	24390.0644
30	M16	40	23,0	50,5	12,0	5,0	76,0	108	357	24390.0654
30	M16	50	23,0	50,5	12,0	5,0	76,0	108	370	24390.0664
30	M16	63	23,0	50,5	12,0	5,0	76,0	108	386	24390.0674
30	M16	80	23,0	50,5	12,0	5,0	76,0	108	407	24390.0684

Sovellusesimerkki



Vaatimuksenmukaisuus

RoHS-yhteensopiva

Sisältää lyijyä - yhteensopiva poikkeusten 6a / 6b / 6c mukaisesti

Sisältää SVHC-aineita > 0,1 % w/w

Sisältää lyijyä - SVHC-luettelo 27.06.2024.

Sisältää Prop 65 aineita



Lyijylle altistuminen voi aiheuttaa syöpää ja lisääntymiselle haitallisia vaikutuksia.
<https://www.P65Warnings.ca.gov/>

Ei sisällä konfliktimineraaleja

Tämä tuote ei sisällä "konfliktimineraaleiksi" luokiteltuja aineita, kuten tantaalia, tinaa, kultaa tai volframia Kongon demokraattisesta tasavallasta tai sen naapurimaista."