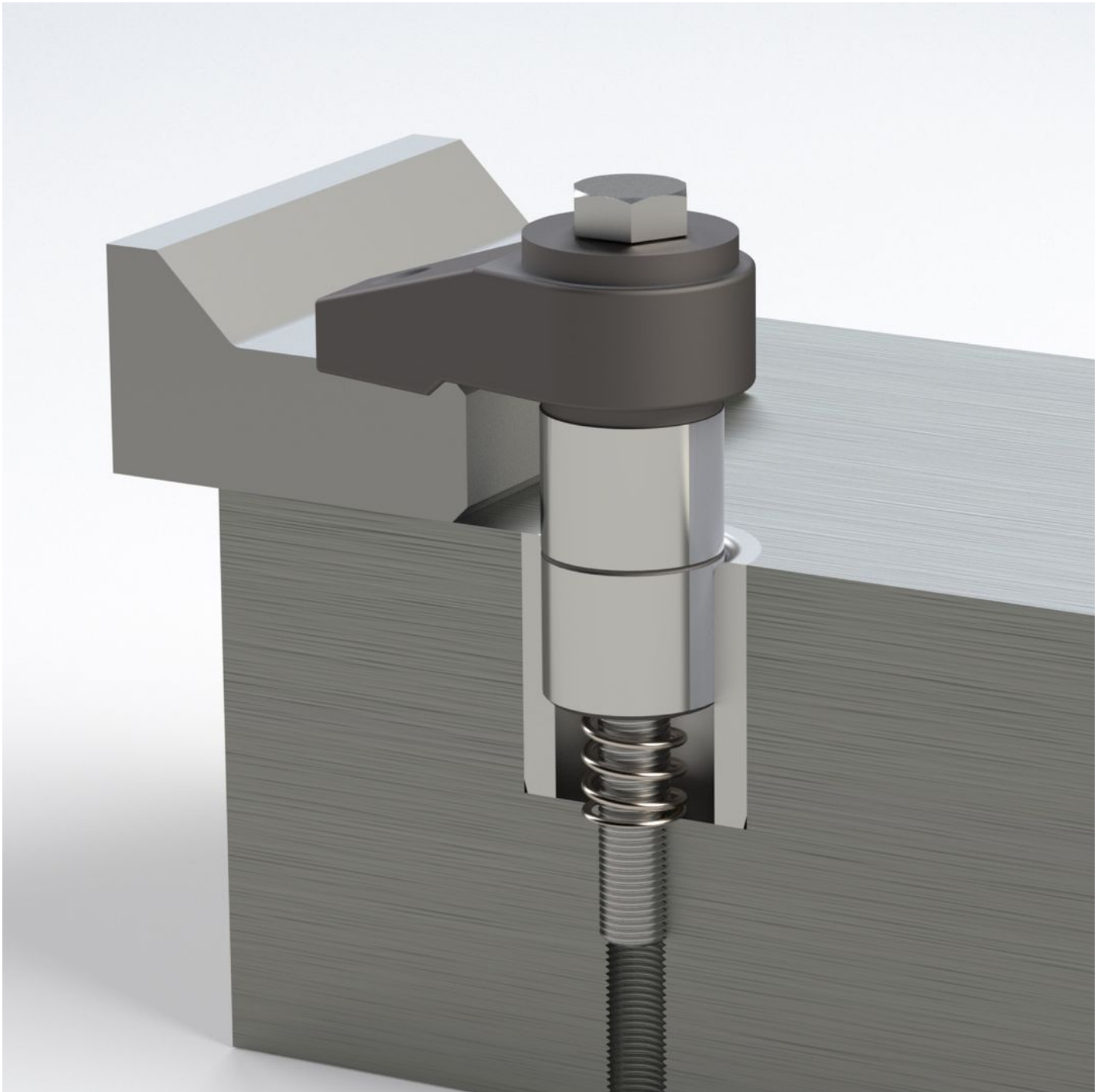
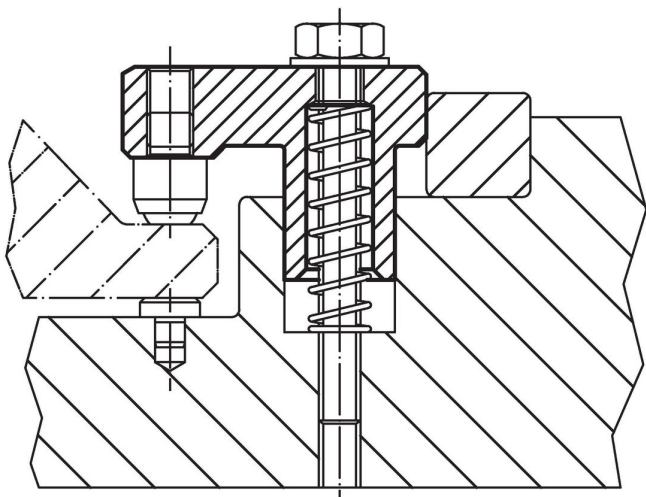
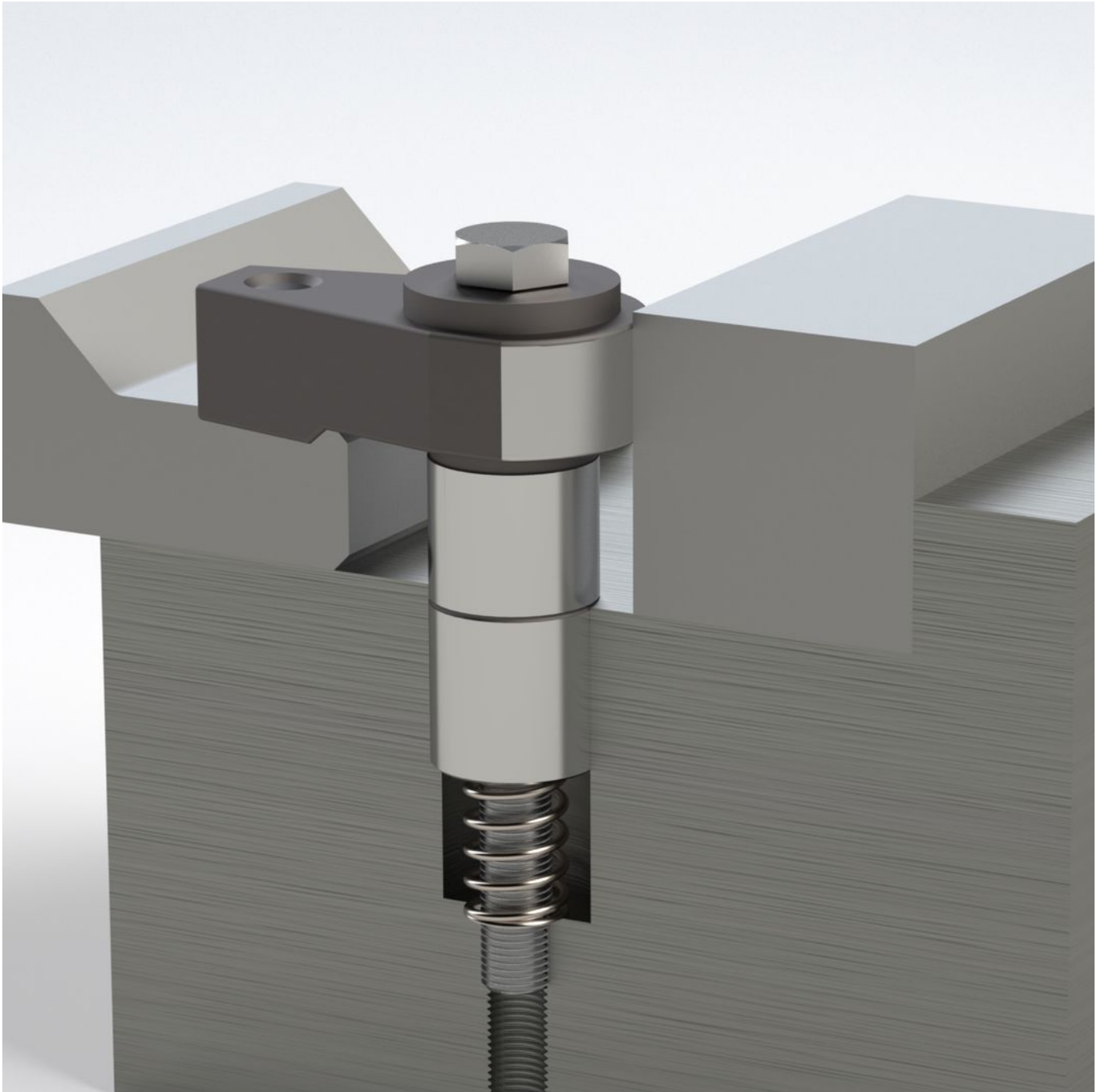


Tilastiedot

Ulkomitat															Isku	AV	Kiinnitys- poraus			Kiinnitys- voima	Kistysmome- ntti max.	Til.nro				
d ₁	h ₁	b ₁	d ₂	d ₃	d ₄ n6	h ₂	h ₃	h ₄	l ₁	l ₂	l ₃	l ₄	l ₅	r ±0,02			D1 H7	D2	L1				[mm]	[mm]	[mm]	[kN]
[mm]															[mm]	[mm]	[mm]			[kN]	[Nm]	[g]				
hiotulla tukipinnalla – Kuva 1																										
28	0 – 11	40,0	M12	M12	–	31	54	13	77,0	55,0	43	85	–	22	11	18	28	M12	49	10,0	30	523	23370.0031			
28	0 – 25	40,0	M12	M12	–	53	76	13	77,0	55,0	43	120	–	22	25	18	28	M12	51	10,0	30	614	23370.0053			
28	20 – 41	40,0	M12	M12	–	83	106	13	77,0	55,0	43	150	–	22	21	18	28	M12	64	10,0	30	770	23370.0083			
paikannusholkilla – Kuva 2																										
16	0 – 5	2,0	M 6	M 6	26	31	18	7	37,0	27,0	22	50	16	–	5	10	26	M 6	19	2,5	5	118	23370.0118			
16	3 – 8	20,0	M 6	M 6	26	37	24	7	37,0	27,0	22	60	16	–	5	10	26	M 6	22	2,5	5	128	23370.0124			
20	0 – 8	26,0	M 8	M 8	30	40	24	10	48,0	35,0	28	65	20	–	8	13	30	M 8	25	5,0	10	218	23370.0128			
20	6 – 15	26,0	M 8	M 8	30	51	35	10	48,0	35,0	28	75	20	–	9	13	30	M 8	30	5,0	10	243	23370.0135			
25	0 – 15	33,0	M10	M10	35	60	40	11	60,5	43,5	37	90	36	–	15	16	35	M10	41	7,5	20	483	23370.0140			
25	10 – 20	33,0	M10	M10	35	78	58	11	60,5	43,5	37	110	36	–	10	16	35	M10	49	7,5	20	552	23370.0145			
30	0 – 25	40,3	M12	M12	42	73	50	13	75,0	55,0	43	120	45	–	25	18	42	M12	51	10,0	30	859	23370.0150			
30	20 – 41	40,3	M12	M12	42	106	83	13	75,0	55,0	43	150	45	–	21	18	42	M12	64	10,0	30	1034	23370.0183			

Sovellusesimerkki





Vaatimuksenmukaisuus

Tarkat sopivuustiedot nähdäkseen valitse haluttu tuotenumero.