

Säätöjalat • luistamisen estolla EH 22593.



Tuotekuvaus

Tukitassuja voidaan käyttää yleispätevinä säätöjalkoina. Tämä kumisuojuusrakenne suojaa arkaa pintaa ja vähentää luistamista. Tassu on ruuvattu kierteitettyyn tappiin/mutteriin ja on varmistettu kierrelukitteella.

Materiaali

Pallopäinen ruuvi

- Teräs, galvanoitu, passivoitu
- Ruostumaton teräs 1.4305

Kumihattu

- Kumia, musta

Mutteri

- Teräs, galvanoitu, passivoitu
- Ruostumaton teräs 1.4305

Lukitusmutteri

- Teräs, galvanoitu, passivoitu, ISO 4032
- Ruostumaton teräs A2, ISO 4032

Painetyyny

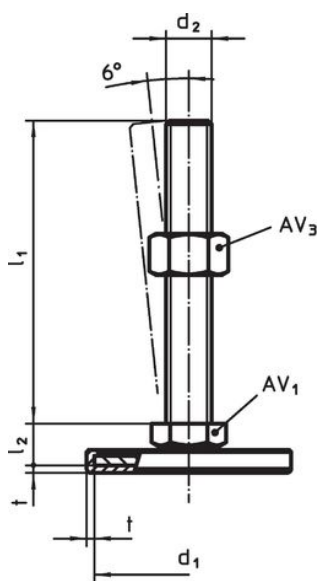
- Teräs, galvanoitu, passivoitu
- Ruostumaton teräs 1.4301, hiottu

Lisätietoja

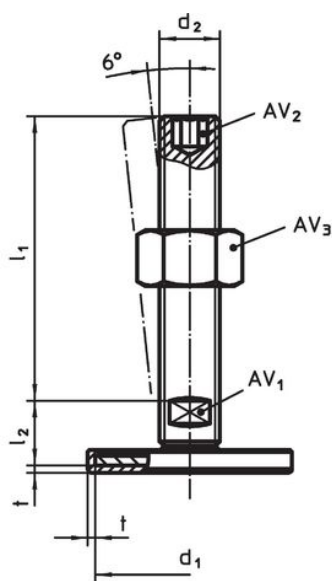
Lisää tuotteita

- Säätöjalat

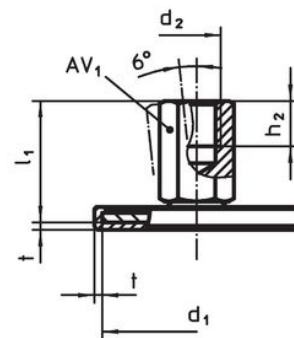
Piirustus



kuva 1



kuva 2



kuva 3

Tilaustiedot

| Ulkomitat | | | | | | | AV ₁ | AV ₂ | AV ₃ | Til.nro |
|--------------------------|----------------|----------------|----------------|----------------|-----|------|-----------------|-----------------|-----------------|------------|
| d ₁ | d ₂ | l ₁ | h ₂ | l ₂ | t | [mm] | [mm] | [mm] | [g] | |
| Ruuvilla – Kuva 1, Teräs | | | | | | | | | | |
| 40 | M 8 | 40 | – | 11 | 1,5 | 17 | – | 13 | 51 | 22593.0305 |
| 40 | M 8 | 50 | – | 11 | 1,5 | 17 | – | 13 | 51 | 22593.0310 |
| 40 | M 8 | 63 | – | 11 | 1,5 | 17 | – | 13 | 56 | 22593.0315 |
| 40 | M10 | 50 | – | 11 | 1,5 | 17 | – | 16 | 65 | 22593.0320 |
| 40 | M10 | 60 | – | 11 | 1,5 | 17 | – | 16 | 71 | 22593.0325 |
| 40 | M10 | 80 | – | 11 | 1,5 | 17 | – | 16 | 80 | 22593.0330 |
| 40 | M10 | 100 | – | 11 | 1,5 | 17 | – | 16 | 94 | 22593.0335 |
| 40 | M12 | 60 | – | 11 | 1,5 | 17 | – | 18 | 86 | 22593.0340 |
| 40 | M12 | 80 | – | 11 | 1,5 | 17 | – | 18 | 102 | 22593.0345 |
| 40 | M12 | 100 | – | 11 | 1,5 | 17 | – | 18 | 118 | 22593.0350 |

| d ₁ | d ₂ | Ulkomitat | | | | t | AV ₁ [mm] | AV ₂ [mm] | AV ₃ [mm] | [g] | Til.nro |
|---------------------------------|----------------|------------------------|----------------|----------------|-----|----|-------------------------|-------------------------|-------------------------|------------|---------|
| | | l ₁ [mm] | h ₂ | l ₂ | | | | | | | |
| 40 | M12 | 125 | – | 11 | 1,5 | 17 | – | 18 | 136 | 22593.0355 | |
| 50 | M 8 | 40 | – | 11 | 2,0 | 17 | – | 13 | 70 | 22593.0360 | |
| 50 | M 8 | 50 | – | 11 | 2,0 | 17 | – | 13 | 74 | 22593.0365 | |
| 50 | M 8 | 63 | – | 11 | 2,0 | 17 | – | 13 | 77 | 22593.0370 | |
| 50 | M10 | 50 | – | 11 | 2,0 | 17 | – | 16 | 87 | 22593.0375 | |
| 50 | M10 | 60 | – | 11 | 2,0 | 17 | – | 16 | 91 | 22593.0380 | |
| 50 | M10 | 80 | – | 11 | 2,0 | 17 | – | 16 | 103 | 22593.0385 | |
| 50 | M10 | 100 | – | 11 | 2,0 | 17 | – | 16 | 113 | 22593.0390 | |
| 50 | M12 | 60 | – | 11 | 2,0 | 17 | – | 18 | 109 | 22593.0395 | |
| 50 | M12 | 80 | – | 11 | 2,0 | 17 | – | 18 | 110 | 22593.0400 | |
| 50 | M12 | 100 | – | 11 | 2,0 | 17 | – | 18 | 139 | 22593.0405 | |
| 50 | M12 | 125 | – | 11 | 2,0 | 17 | – | 18 | 156 | 22593.0410 | |
| 60 | M 8 | 40 | – | 11 | 2,0 | 17 | – | 13 | 90 | 22593.0415 | |
| 60 | M 8 | 50 | – | 11 | 2,0 | 17 | – | 13 | 91 | 22593.0420 | |
| 60 | M 8 | 63 | – | 11 | 2,0 | 17 | – | 13 | 98 | 22593.0425 | |
| 60 | M10 | 50 | – | 11 | 2,0 | 17 | – | 16 | 110 | 22593.0430 | |
| 60 | M10 | 60 | – | 11 | 2,0 | 17 | – | 16 | 110 | 22593.0435 | |
| 60 | M10 | 80 | – | 11 | 2,0 | 17 | – | 16 | 122 | 22593.0440 | |
| 60 | M10 | 100 | – | 11 | 2,0 | 17 | – | 16 | 132 | 22593.0445 | |
| 60 | M12 | 60 | – | 11 | 2,0 | 17 | – | 18 | 129 | 22593.0450 | |
| 60 | M12 | 80 | – | 11 | 2,0 | 17 | – | 18 | 143 | 22593.0455 | |
| 60 | M12 | 100 | – | 11 | 2,0 | 17 | – | 18 | 158 | 22593.0460 | |
| 60 | M12 | 125 | – | 11 | 2,0 | 17 | – | 18 | 177 | 22593.0465 | |
| 80 | M 8 | 40 | – | 12 | 2,0 | 17 | – | 13 | 158 | 22593.0470 | |
| 80 | M 8 | 50 | – | 12 | 2,0 | 17 | – | 13 | 164 | 22593.0475 | |
| 80 | M 8 | 63 | – | 12 | 2,0 | 17 | – | 13 | 166 | 22593.0480 | |
| 80 | M10 | 50 | – | 12 | 2,0 | 17 | – | 16 | 176 | 22593.0485 | |
| 80 | M10 | 60 | – | 12 | 2,0 | 17 | – | 16 | 181 | 22593.0490 | |
| 80 | M10 | 80 | – | 12 | 2,0 | 17 | – | 16 | 192 | 22593.0495 | |
| 80 | M10 | 100 | – | 12 | 2,0 | 17 | – | 16 | 201 | 22593.0500 | |
| 80 | M12 | 60 | – | 12 | 2,0 | 17 | – | 18 | 199 | 22593.0505 | |
| 80 | M12 | 80 | – | 12 | 2,0 | 17 | – | 18 | 213 | 22593.0510 | |
| 80 | M12 | 100 | – | 12 | 2,0 | 17 | – | 18 | 230 | 22593.0515 | |
| 80 | M12 | 125 | – | 12 | 2,0 | 17 | – | 18 | 245 | 22593.0520 | |
| Ruuvilla – Kuva 2, Teräs | | | | | | | | | | | |
| 40 | M16 | 75 | – | 17 | 1,5 | 12 | 8 | 24 | 154 | 22593.0805 | |
| 40 | M16 | 100 | – | 17 | 1,5 | 12 | 8 | 24 | 186 | 22593.0810 | |
| 40 | M16 | 125 | – | 17 | 1,5 | 12 | 8 | 24 | 219 | 22593.0815 | |
| 40 | M16 | 150 | – | 17 | 1,5 | 12 | 8 | 24 | 254 | 22593.0820 | |
| 40 | M16 | 200 | – | 17 | 1,5 | 12 | 8 | 24 | 318 | 22593.0825 | |
| 50 | M16 | 75 | – | 17 | 2,0 | 12 | 8 | 24 | 177 | 22593.0830 | |
| 50 | M16 | 100 | – | 17 | 2,0 | 12 | 8 | 24 | 209 | 22593.0835 | |
| 50 | M16 | 125 | – | 17 | 2,0 | 12 | 8 | 24 | 244 | 22593.0840 | |
| 50 | M16 | 150 | – | 17 | 2,0 | 12 | 8 | 24 | 278 | 22593.0845 | |
| 50 | M16 | 200 | – | 17 | 2,0 | 12 | 8 | 24 | 342 | 22593.0850 | |
| 60 | M16 | 75 | – | 17 | 2,0 | 12 | 8 | 24 | 196 | 22593.0855 | |
| 60 | M16 | 100 | – | 17 | 2,0 | 12 | 8 | 24 | 228 | 22593.0860 | |
| 60 | M16 | 125 | – | 17 | 2,0 | 12 | 8 | 24 | 262 | 22593.0865 | |
| 60 | M16 | 150 | – | 17 | 2,0 | 12 | 8 | 24 | 295 | 22593.0870 | |
| 60 | M16 | 200 | – | 17 | 2,0 | 12 | 8 | 24 | 358 | 22593.0875 | |
| 80 | M16 | 75 | – | 18 | 2,0 | 12 | 8 | 24 | 266 | 22593.0880 | |
| 80 | M16 | 100 | – | 18 | 2,0 | 12 | 8 | 24 | 299 | 22593.0885 | |
| 80 | M16 | 125 | – | 18 | 2,0 | 12 | 8 | 24 | 332 | 22593.0890 | |
| 80 | M16 | 150 | – | 18 | 2,0 | 12 | 8 | 24 | 358 | 22593.0895 | |
| 80 | M16 | 200 | – | 18 | 2,0 | 12 | 8 | 24 | 432 | 22593.0900 | |
| 80 | M20 | 75 | – | 19 | 2,0 | 15 | 10 | 30 | 355 | 22593.0905 | |
| 80 | M20 | 100 | – | 19 | 2,0 | 15 | 10 | 30 | 405 | 22593.0910 | |
| 80 | M20 | 125 | – | 19 | 2,0 | 15 | 10 | 30 | 454 | 22593.0915 | |
| 80 | M20 | 150 | – | 19 | 2,0 | 15 | 10 | 30 | 507 | 22593.0920 | |
| 80 | M20 | 200 | – | 19 | 2,0 | 15 | 10 | 30 | 614 | 22593.0925 | |

| d ₁ | d ₂ | Ulkomitat | | | | t | AV ₁ | AV ₂ | AV ₃ | T | Til.nro |
|---|----------------|----------------|----------------|----------------|------|----|-----------------|-----------------|-----------------|------------|---------|
| | | l ₁ | h ₂ | l ₂ | [mm] | | | | | | |
| 80 | M24 | 100 | – | 22 | 2,0 | 19 | 12 | 36 | 546 | 22593.0930 | |
| 80 | M24 | 125 | – | 22 | 2,0 | 19 | 12 | 36 | 626 | 22593.0935 | |
| 80 | M24 | 150 | – | 22 | 2,0 | 19 | 12 | 36 | 693 | 22593.0940 | |
| 80 | M24 | 200 | – | 22 | 2,0 | 19 | 12 | 36 | 847 | 22593.0945 | |
| Sisäkierteellä – Kuva 3, Teräs | | | | | | | | | | | |
| 40 | M 8 | 25 | 8 | – | 1,5 | 14 | – | – | 46 | 22593.1105 | |
| 40 | M10 | 28 | 10 | – | 1,5 | 14 | – | – | 46 | 22593.1110 | |
| 40 | M12 | 31 | 12 | – | 1,5 | 17 | – | – | 63 | 22593.1115 | |
| 40 | M16 | 37 | 16 | – | 1,5 | 22 | – | – | 98 | 22593.1120 | |
| 50 | M 8 | 25 | 8 | – | 2,0 | 14 | – | – | 69 | 22593.1125 | |
| 50 | M10 | 28 | 10 | – | 2,0 | 14 | – | – | 67 | 22593.1130 | |
| 50 | M12 | 32 | 12 | – | 2,0 | 17 | – | – | 84 | 22593.1135 | |
| 50 | M16 | 37 | 16 | – | 2,0 | 22 | – | – | 121 | 22593.1140 | |
| 60 | M 8 | 25 | 8 | – | 2,0 | 14 | – | – | 88 | 22593.1145 | |
| 60 | M10 | 28 | 10 | – | 2,0 | 14 | – | – | 88 | 22593.1150 | |
| 60 | M12 | 32 | 12 | – | 2,0 | 17 | – | – | 104 | 22593.1155 | |
| 60 | M16 | 37 | 16 | – | 2,0 | 22 | – | – | 142 | 22593.1160 | |
| 80 | M 8 | 26 | 8 | – | 2,0 | 14 | – | – | 156 | 22593.1165 | |
| 80 | M10 | 29 | 10 | – | 2,0 | 14 | – | – | 159 | 22593.1170 | |
| 80 | M12 | 32 | 12 | – | 2,0 | 17 | – | – | 173 | 22593.1175 | |
| 80 | M16 | 38 | 16 | – | 2,0 | 22 | – | – | 209 | 22593.1180 | |
| 80 | M20 | 45 | 20 | – | 2,0 | 27 | – | – | 268 | 22593.1185 | |
| Ruuvilla – Kuva 1, Ruostumaton teräs | | | | | | | | | | | |
| 40 | M 8 | 40 | – | 11 | 1,5 | 17 | – | 13 | 51 | 22593.1805 | |
| 40 | M 8 | 50 | – | 11 | 1,5 | 17 | – | 13 | 51 | 22593.1810 | |
| 40 | M 8 | 63 | – | 11 | 1,5 | 17 | – | 13 | 56 | 22593.1815 | |
| 40 | M10 | 50 | – | 11 | 1,5 | 17 | – | 16 | 65 | 22593.1820 | |
| 40 | M10 | 60 | – | 11 | 1,5 | 17 | – | 16 | 71 | 22593.1825 | |
| 40 | M10 | 80 | – | 11 | 1,5 | 17 | – | 16 | 80 | 22593.1830 | |
| 40 | M10 | 100 | – | 11 | 1,5 | 17 | – | 16 | 94 | 22593.1835 | |
| 40 | M12 | 60 | – | 11 | 1,5 | 17 | – | 18 | 86 | 22593.1840 | |
| 40 | M12 | 80 | – | 11 | 1,5 | 17 | – | 18 | 102 | 22593.1845 | |
| 40 | M12 | 100 | – | 11 | 1,5 | 17 | – | 18 | 118 | 22593.1850 | |
| 40 | M12 | 125 | – | 11 | 1,5 | 17 | – | 18 | 136 | 22593.1855 | |
| 50 | M 8 | 40 | – | 11 | 2,0 | 17 | – | 13 | 70 | 22593.1860 | |
| 50 | M 8 | 50 | – | 11 | 2,0 | 17 | – | 13 | 74 | 22593.1865 | |
| 50 | M 8 | 63 | – | 11 | 2,0 | 17 | – | 13 | 77 | 22593.1870 | |
| 50 | M10 | 50 | – | 11 | 2,0 | 17 | – | 16 | 87 | 22593.1875 | |
| 50 | M10 | 60 | – | 11 | 2,0 | 17 | – | 16 | 91 | 22593.1880 | |
| 50 | M10 | 80 | – | 11 | 2,0 | 17 | – | 16 | 103 | 22593.1885 | |
| 50 | M10 | 100 | – | 11 | 2,0 | 17 | – | 16 | 113 | 22593.1890 | |
| 50 | M12 | 60 | – | 11 | 2,0 | 17 | – | 18 | 109 | 22593.1895 | |
| 50 | M12 | 80 | – | 11 | 2,0 | 17 | – | 18 | 110 | 22593.1900 | |
| 50 | M12 | 100 | – | 11 | 2,0 | 17 | – | 18 | 139 | 22593.1905 | |
| 50 | M12 | 125 | – | 11 | 2,0 | 17 | – | 18 | 156 | 22593.1910 | |
| 60 | M 8 | 40 | – | 11 | 2,0 | 17 | – | 13 | 90 | 22593.1915 | |
| 60 | M 8 | 50 | – | 11 | 2,0 | 17 | – | 13 | 91 | 22593.1920 | |
| 60 | M 8 | 63 | – | 11 | 2,0 | 17 | – | 13 | 98 | 22593.1925 | |
| 60 | M10 | 50 | – | 11 | 2,0 | 17 | – | 16 | 110 | 22593.1930 | |
| 60 | M10 | 60 | – | 11 | 2,0 | 17 | – | 16 | 110 | 22593.1935 | |
| 60 | M10 | 80 | – | 11 | 2,0 | 17 | – | 16 | 122 | 22593.1940 | |
| 60 | M10 | 100 | – | 11 | 2,0 | 17 | – | 16 | 132 | 22593.1945 | |
| 60 | M12 | 60 | – | 11 | 2,0 | 17 | – | 18 | 129 | 22593.1950 | |
| 60 | M12 | 80 | – | 11 | 2,0 | 17 | – | 18 | 143 | 22593.1955 | |
| 60 | M12 | 100 | – | 11 | 2,0 | 17 | – | 18 | 158 | 22593.1960 | |
| 60 | M12 | 125 | – | 11 | 2,0 | 17 | – | 18 | 177 | 22593.1965 | |
| 80 | M 8 | 40 | – | 12 | 2,0 | 17 | – | 13 | 158 | 22593.1970 | |
| 80 | M 8 | 50 | – | 12 | 2,0 | 17 | – | 13 | 164 | 22593.1975 | |
| 80 | M 8 | 63 | – | 12 | 2,0 | 17 | – | 13 | 166 | 22593.1980 | |
| 80 | M10 | 50 | – | 12 | 2,0 | 17 | – | 16 | 176 | 22593.1985 | |
| 80 | M10 | 60 | – | 12 | 2,0 | 17 | – | 16 | 181 | 22593.1990 | |
| 80 | M10 | 80 | – | 12 | 2,0 | 17 | – | 16 | 192 | 22593.1995 | |

| d ₁ | d ₂ | Ulkomitat | | | | t | AV ₁ | AV ₂ | AV ₃ | T | Til.nro |
|---|----------------|----------------|----------------|----------------|------|----|-----------------|-----------------|-----------------|------------|---------|
| | | l ₁ | h ₂ | l ₂ | [mm] | | | | | | |
| 80 | M10 | 100 | – | 12 | 2,0 | 17 | – | 16 | 201 | 22593.2000 | |
| 80 | M12 | 60 | – | 12 | 2,0 | 17 | – | 18 | 199 | 22593.2005 | |
| 80 | M12 | 80 | – | 12 | 2,0 | 17 | – | 18 | 213 | 22593.2010 | |
| 80 | M12 | 100 | – | 12 | 2,0 | 17 | – | 18 | 230 | 22593.2015 | |
| 80 | M12 | 125 | – | 12 | 2,0 | 17 | – | 18 | 245 | 22593.2020 | |
| Ruuvilla – Kuva 2, Ruostumaton teräs | | | | | | | | | | | |
| 40 | M16 | 75 | – | 17 | 1,5 | 12 | 8 | 24 | 154 | 22593.2305 | |
| 40 | M16 | 100 | – | 17 | 1,5 | 12 | 8 | 24 | 186 | 22593.2310 | |
| 40 | M16 | 125 | – | 17 | 1,5 | 12 | 8 | 24 | 219 | 22593.2315 | |
| 40 | M16 | 150 | – | 17 | 1,5 | 12 | 8 | 24 | 254 | 22593.2320 | |
| 40 | M16 | 200 | – | 17 | 1,5 | 12 | 8 | 24 | 318 | 22593.2325 | |
| 50 | M16 | 75 | – | 17 | 2,0 | 12 | 8 | 24 | 177 | 22593.2330 | |
| 50 | M16 | 100 | – | 17 | 2,0 | 12 | 8 | 24 | 209 | 22593.2335 | |
| 50 | M16 | 125 | – | 17 | 2,0 | 12 | 8 | 24 | 244 | 22593.2340 | |
| 50 | M16 | 150 | – | 17 | 2,0 | 12 | 8 | 24 | 278 | 22593.2345 | |
| 50 | M16 | 200 | – | 17 | 2,0 | 12 | 8 | 24 | 342 | 22593.2350 | |
| 60 | M16 | 75 | – | 17 | 2,0 | 12 | 8 | 24 | 196 | 22593.2355 | |
| 60 | M16 | 100 | – | 17 | 2,0 | 12 | 8 | 24 | 228 | 22593.2360 | |
| 60 | M16 | 125 | – | 17 | 2,0 | 12 | 8 | 24 | 262 | 22593.2365 | |
| 60 | M16 | 150 | – | 17 | 2,0 | 12 | 8 | 24 | 295 | 22593.2370 | |
| 60 | M16 | 200 | – | 17 | 2,0 | 12 | 8 | 24 | 358 | 22593.2375 | |
| 80 | M16 | 75 | – | 18 | 2,0 | 12 | 8 | 24 | 266 | 22593.2380 | |
| 80 | M16 | 100 | – | 18 | 2,0 | 12 | 8 | 24 | 299 | 22593.2385 | |
| 80 | M16 | 125 | – | 18 | 2,0 | 12 | 8 | 24 | 332 | 22593.2390 | |
| 80 | M16 | 150 | – | 18 | 2,0 | 12 | 8 | 24 | 358 | 22593.2395 | |
| 80 | M16 | 200 | – | 18 | 2,0 | 12 | 8 | 24 | 432 | 22593.2400 | |
| 80 | M20 | 75 | – | 19 | 2,0 | 15 | 10 | 30 | 355 | 22593.2405 | |
| 80 | M20 | 100 | – | 19 | 2,0 | 15 | 10 | 30 | 405 | 22593.2410 | |
| 80 | M20 | 125 | – | 19 | 2,0 | 15 | 10 | 30 | 454 | 22593.2415 | |
| 80 | M20 | 150 | – | 19 | 2,0 | 15 | 10 | 30 | 507 | 22593.2420 | |
| 80 | M20 | 200 | – | 19 | 2,0 | 15 | 10 | 30 | 614 | 22593.2425 | |
| 80 | M24 | 100 | – | 22 | 2,0 | 19 | 12 | 36 | 546 | 22593.2430 | |
| 80 | M24 | 125 | – | 22 | 2,0 | 19 | 12 | 36 | 626 | 22593.2435 | |
| 80 | M24 | 150 | – | 22 | 2,0 | 19 | 12 | 36 | 693 | 22593.2440 | |
| 80 | M24 | 200 | – | 22 | 2,0 | 19 | 12 | 36 | 847 | 22593.2445 | |
| Sisäkierteellä – Kuva 3, Ruostumaton teräs | | | | | | | | | | | |
| 40 | M 8 | 25 | 8 | – | 1,5 | 14 | – | – | 46 | 22593.2605 | |
| 40 | M10 | 28 | 10 | – | 1,5 | 14 | – | – | 46 | 22593.2610 | |
| 40 | M12 | 31 | 12 | – | 1,5 | 17 | – | – | 63 | 22593.2615 | |
| 40 | M16 | 37 | 16 | – | 1,5 | 22 | – | – | 98 | 22593.2620 | |
| 50 | M 8 | 25 | 8 | – | 2,0 | 14 | – | – | 69 | 22593.2625 | |
| 50 | M10 | 28 | 10 | – | 2,0 | 14 | – | – | 67 | 22593.2630 | |
| 50 | M12 | 32 | 12 | – | 2,0 | 17 | – | – | 84 | 22593.2635 | |
| 50 | M16 | 37 | 16 | – | 2,0 | 22 | – | – | 121 | 22593.2640 | |
| 60 | M 8 | 25 | 8 | – | 2,0 | 14 | – | – | 88 | 22593.2645 | |
| 60 | M10 | 28 | 10 | – | 2,0 | 14 | – | – | 88 | 22593.2650 | |
| 60 | M12 | 32 | 12 | – | 2,0 | 17 | – | – | 104 | 22593.2655 | |
| 60 | M16 | 37 | 16 | – | 2,0 | 22 | – | – | 142 | 22593.2660 | |
| 80 | M 8 | 26 | 8 | – | 2,0 | 14 | – | – | 156 | 22593.2665 | |
| 80 | M10 | 29 | 10 | – | 2,0 | 14 | – | – | 159 | 22593.2670 | |
| 80 | M12 | 32 | 12 | – | 2,0 | 17 | – | – | 173 | 22593.2675 | |
| 80 | M16 | 38 | 16 | – | 2,0 | 22 | – | – | 209 | 22593.2680 | |
| 80 | M20 | 45 | 20 | – | 2,0 | 27 | – | – | 268 | 22593.2685 | |

Vaatimuksenmukaisuus

Tarkat sopivuustiedot nähdäksesi valitse haluttu tuotenumero.