

## Säätöjalat EH 22590.



### Tuotekuvaus

Voidaan käyttää konejalkana tai painimena. Voidaan tasata ei-yhdensuuntaiset pinnat, joiden välinen kulma on korkeintaan 15°.

### Materiaali

#### Kuulaelementti

- Nuorrutusteräs, nuorrutettu, mustattu
- Ruostumaton teräs 1.4305

#### Kuulaelementti pultilla

- Nuorrutusteräs, nuorrutettu, mustattu
- Ruostumaton teräs 1.4305

#### Lukitusmutteri

- Teräs, mustattu, ISO 4032
- Teräs, mustattu, DIN 934
- Ruostumaton teräs A2, ISO 4032
- Ruostumaton teräs A2, DIN 934

#### Painetyyny

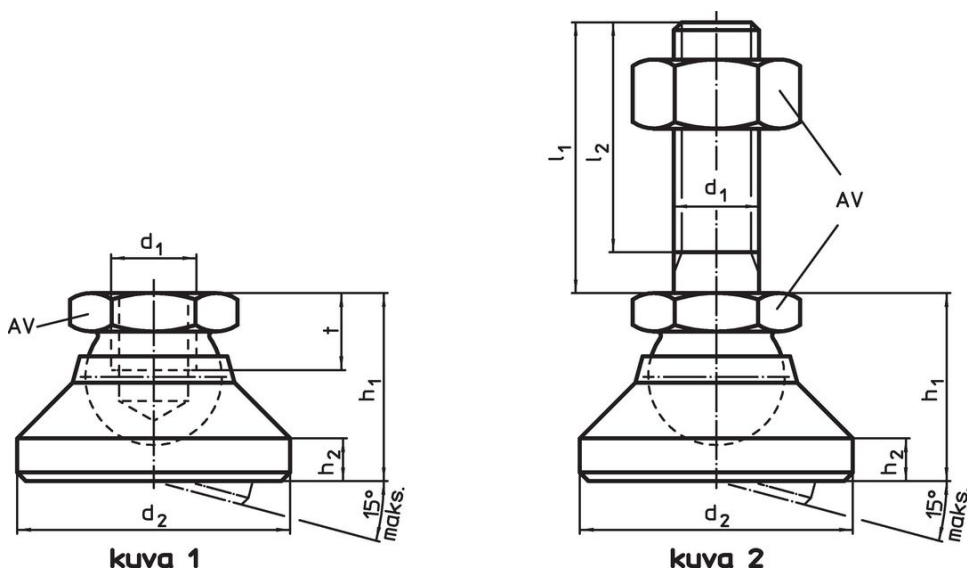
- Nuorrutusteräs, mustattu
- Ruostumaton teräs 1.4305
- Kestomuovi (POM), valkoinen

### Lisätietoja

#### Huomioi

Malleissa  $d_1 = M10$  ja  $M12$  lukitusmutteri on standardin DIN 934 mukainen.

### Piirustus

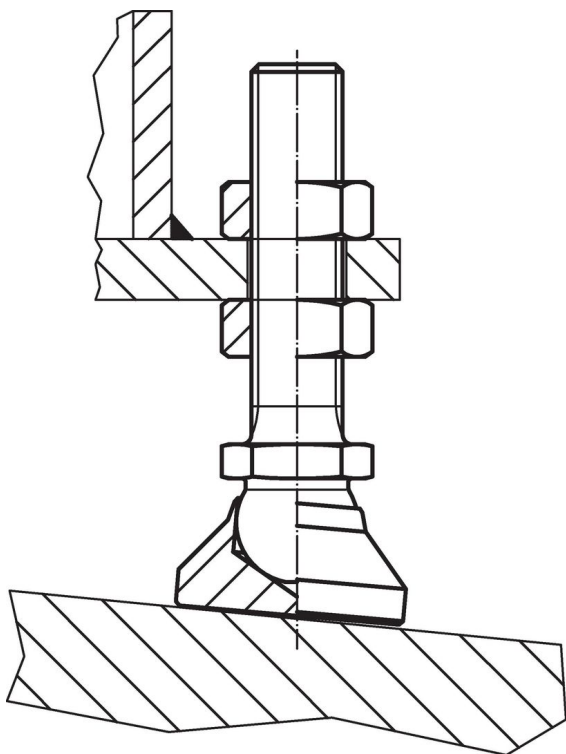


### Tilaustiedot

| $d_1$                                                   | $l_1$ | Ulkomitat |       |       |       |      | AV   | Staattinen kuormitettavuus max. | Temperatuurialue |      | Paino [g] | Til.nro    |
|---------------------------------------------------------|-------|-----------|-------|-------|-------|------|------|---------------------------------|------------------|------|-----------|------------|
|                                                         |       | $d_2$     | $l_2$ | $h_1$ | $h_2$ | t    |      |                                 | min.             | max. |           |            |
| [mm]                                                    |       |           |       |       |       |      | [mm] | [kN]                            | [°C]             |      | [g]       |            |
| painintyynty ja kuulaelementti – Kuva 1, Nuorrutusteräs |       |           |       |       |       |      |      |                                 |                  |      |           |            |
| M 6                                                     | –     | 20        | –     | 14    | 2,5   | 5,0  | 10   | 10                              | –                | 250  | 15,0      | 22590.0006 |
| M 8                                                     | –     | 25        | –     | 18    | 4,0   | 7,0  | 13   | 18                              | –                | 250  | 33,0      | 22590.0008 |
| M10                                                     | –     | 32        | –     | 22    | 5,0   | 9,0  | 17   | 20                              | –                | 250  | 67,0      | 22590.0010 |
| M12                                                     | –     | 40        | –     | 26    | 6,0   | 11,0 | 19   | 35                              | –                | 250  | 112,0     | 22590.0012 |
| M16                                                     | –     | 50        | –     | 32    | 7,0   | 13,5 | 24   | 45                              | –                | 250  | 254,0     | 22590.0016 |
| M20                                                     | –     | 60        | –     | 42    | 8,0   | 17,0 | 30   | 55                              | –                | 250  | 451,0     | 22590.0020 |
| M24                                                     | –     | 60        | –     | 45    | 9,5   | 19,0 | 36   | 65                              | –                | 250  | 498,0     | 22590.0024 |

| d <sub>1</sub>                                                                                   | Ulkomitat      |                |                |                     |                |      | AV | Staatinn<br>kuormitettavuus<br>max. | min.   max. |      | [g]    | Til.nro    |
|--------------------------------------------------------------------------------------------------|----------------|----------------|----------------|---------------------|----------------|------|----|-------------------------------------|-------------|------|--------|------------|
|                                                                                                  | l <sub>1</sub> | d <sub>2</sub> | l <sub>2</sub> | h <sub>1</sub><br>~ | h <sub>2</sub> | t    |    |                                     | [mm]        | [kN] |        |            |
| <b>painintyyppi ja kuulaelementti – Kuva 1, Ruostumaton teräs</b>                                |                |                |                |                     |                |      |    |                                     |             |      |        |            |
| M 6                                                                                              | –              | 20             | –              | 14                  | 2,5            | 5,0  | 10 | 8                                   | –           | 250  | 15,0   | 22590.0206 |
| M 8                                                                                              | –              | 25             | –              | 18                  | 4,0            | 7,0  | 13 | 14                                  | –           | 250  | 33,0   | 22590.0208 |
| M10                                                                                              | –              | 32             | –              | 22                  | 5,0            | 9,0  | 17 | 16                                  | –           | 250  | 67,0   | 22590.0210 |
| M12                                                                                              | –              | 40             | –              | 26                  | 6,0            | 11,0 | 19 | 28                                  | –           | 250  | 113,0  | 22590.0212 |
| M16                                                                                              | –              | 50             | –              | 32                  | 7,0            | 13,5 | 24 | 36                                  | –           | 250  | 256,0  | 22590.0216 |
| M20                                                                                              | –              | 60             | –              | 42                  | 8,0            | 17,0 | 30 | 44                                  | –           | 250  | 452,0  | 22590.0220 |
| M24                                                                                              | –              | 60             | –              | 45                  | 9,5            | 19,0 | 36 | 52                                  | –           | 250  | 504,0  | 22590.0224 |
| <b>painintyyppi kestopuuvia, kuulaelementti ruostumaton teräs – Kuva 1, Kestomuovi</b>           |                |                |                |                     |                |      |    |                                     |             |      |        |            |
| M 6                                                                                              | –              | 20             | –              | 14                  | 2,5            | 5,0  | 10 | 4                                   | -30         | 80   | 6,1    | 22590.0106 |
| M 8                                                                                              | –              | 25             | –              | 18                  | 4,0            | 7,0  | 13 | 7                                   | -30         | 80   | 13,0   | 22590.0108 |
| M10                                                                                              | –              | 32             | –              | 22                  | 5,0            | 9,0  | 17 | 10                                  | -30         | 80   | 26,0   | 22590.0110 |
| M12                                                                                              | –              | 40             | –              | 26                  | 6,0            | 11,0 | 19 | 18                                  | -30         | 80   | 40,0   | 22590.0112 |
| M16                                                                                              | –              | 50             | –              | 32                  | 7,0            | 13,5 | 24 | 20                                  | -30         | 80   | 75,0   | 22590.0116 |
| M20                                                                                              | –              | 60             | –              | 42                  | 8,0            | 17,0 | 30 | 22                                  | -30         | 80   | 150,0  | 22590.0120 |
| M24                                                                                              | –              | 60             | –              | 45                  | 9,5            | 19,0 | 36 | 25                                  | -30         | 80   | 184,0  | 22590.0124 |
| <b>painintyyppi ja kuulaelementti pultilla – Kuva 2, Nuorrutusteräs</b>                          |                |                |                |                     |                |      |    |                                     |             |      |        |            |
| M 6                                                                                              | 60             | 20             | 57,0           | 14                  | 2,5            | –    | 10 | 10                                  | –           | 250  | 29,0   | 22590.0410 |
| M 8                                                                                              | 80             | 25             | 76,0           | 18                  | 4,0            | –    | 13 | 18                                  | –           | 250  | 66,0   | 22590.0422 |
| M10                                                                                              | 100            | 32             | 95,5           | 22                  | 5,0            | –    | 17 | 20                                  | –           | 250  | 133,0  | 22590.0438 |
| M10                                                                                              | 150            | 32             | 145,5          | 22                  | 5,0            | –    | 17 | 20                                  | –           | 250  | 156,0  | 22590.0442 |
| M12                                                                                              | 100            | 40             | 94,5           | 26                  | 6,0            | –    | 19 | 35                                  | –           | 250  | 237,0  | 22590.0452 |
| M12                                                                                              | 150            | 40             | 144,5          | 26                  | 6,0            | –    | 19 | 35                                  | –           | 250  | 283,0  | 22590.0456 |
| M16                                                                                              | 100            | 50             | 94,0           | 32                  | 7,0            | –    | 24 | 45                                  | –           | 250  | 460,0  | 22590.0468 |
| M16                                                                                              | 200            | 50             | 194,0          | 32                  | 7,0            | –    | 24 | 45                                  | –           | 250  | 608,0  | 22590.0472 |
| M20                                                                                              | 100            | 60             | 92,5           | 42                  | 8,0            | –    | 30 | 55                                  | –           | 250  | 781,0  | 22590.0482 |
| M20                                                                                              | 200            | 60             | 192,5          | 42                  | 8,0            | –    | 30 | 55                                  | –           | 250  | 1015,0 | 22590.0488 |
| M24                                                                                              | 100            | 60             | 91,0           | 45                  | 9,5            | –    | 36 | 65                                  | –           | 250  | 994,0  | 22590.0495 |
| M24                                                                                              | 200            | 60             | 191,0          | 45                  | 9,5            | –    | 36 | 65                                  | –           | 250  | 1320,0 | 22590.0498 |
| <b>painintyyppi ja kuulaelementti pultilla – Kuva 2, Ruostumaton teräs</b>                       |                |                |                |                     |                |      |    |                                     |             |      |        |            |
| M 6                                                                                              | 60             | 20             | 57,0           | 14                  | 2,5            | –    | 10 | 8                                   | –           | 250  | 29,0   | 22590.0610 |
| M 8                                                                                              | 80             | 25             | 76,0           | 18                  | 4,0            | –    | 13 | 14                                  | –           | 250  | 66,0   | 22590.0622 |
| M10                                                                                              | 100            | 32             | 95,5           | 22                  | 5,0            | –    | 17 | 16                                  | –           | 250  | 134,0  | 22590.0638 |
| M10                                                                                              | 150            | 32             | 145,5          | 22                  | 5,0            | –    | 17 | 16                                  | –           | 250  | 158,0  | 22590.0642 |
| M12                                                                                              | 100            | 40             | 94,5           | 26                  | 6,0            | –    | 19 | 28                                  | –           | 250  | 212,0  | 22590.0652 |
| M12                                                                                              | 150            | 40             | 144,5          | 26                  | 6,0            | –    | 19 | 28                                  | –           | 250  | 248,0  | 22590.0656 |
| M16                                                                                              | 100            | 50             | 94,0           | 32                  | 7,0            | –    | 24 | 36                                  | –           | 250  | 412,0  | 22590.0668 |
| M16                                                                                              | 200            | 50             | 194,0          | 32                  | 7,0            | –    | 24 | 36                                  | –           | 250  | 624,0  | 22590.0672 |
| M20                                                                                              | 100            | 60             | 92,5           | 42                  | 8,0            | –    | 30 | 44                                  | –           | 250  | 790,0  | 22590.0682 |
| M20                                                                                              | 200            | 60             | 192,5          | 42                  | 8,0            | –    | 30 | 44                                  | –           | 250  | 1031,0 | 22590.0688 |
| M24                                                                                              | 100            | 60             | 91,0           | 45                  | 9,5            | –    | 36 | 52                                  | –           | 250  | 1001,0 | 22590.0695 |
| M24                                                                                              | 200            | 60             | 191,0          | 45                  | 9,5            | –    | 36 | 52                                  | –           | 250  | 1323,0 | 22590.0698 |
| <b>painintyyppi kestopuuvia, kuulaelementti ja pultti ruostumaton teräs – Kuva 2, Kestomuovi</b> |                |                |                |                     |                |      |    |                                     |             |      |        |            |
| M 6                                                                                              | 60             | 20             | 57,0           | 14                  | 2,5            | –    | 10 | 4                                   | -30         | 80   | 20,0   | 22590.0510 |
| M 8                                                                                              | 80             | 25             | 76,0           | 18                  | 4,0            | –    | 13 | 7                                   | -30         | 80   | 46,0   | 22590.0522 |
| M10                                                                                              | 100            | 32             | 95,5           | 22                  | 5,0            | –    | 17 | 10                                  | -30         | 80   | 93,0   | 22590.0538 |
| M10                                                                                              | 150            | 32             | 145,5          | 22                  | 5,0            | –    | 17 | 10                                  | -30         | 80   | 117,0  | 22590.0542 |
| M12                                                                                              | 100            | 40             | 94,5           | 26                  | 6,0            | –    | 19 | 18                                  | -30         | 80   | 139,0  | 22590.0552 |
| M12                                                                                              | 150            | 40             | 144,5          | 26                  | 6,0            | –    | 19 | 18                                  | -30         | 80   | 175,0  | 22590.0556 |
| M16                                                                                              | 100            | 50             | 94,0           | 32                  | 7,0            | –    | 24 | 20                                  | -30         | 80   | 300,0  | 22590.0568 |
| M16                                                                                              | 200            | 50             | 194,0          | 32                  | 7,0            | –    | 24 | 20                                  | -30         | 80   | 399,0  | 22590.0572 |
| M20                                                                                              | 100            | 60             | 92,5           | 42                  | 8,0            | –    | 30 | 22                                  | -30         | 80   | 523,0  | 22590.0582 |
| M20                                                                                              | 200            | 60             | 192,5          | 42                  | 8,0            | –    | 30 | 22                                  | -30         | 80   | 759,0  | 22590.0588 |
| M24                                                                                              | 100            | 60             | 91,0           | 45                  | 9,5            | –    | 36 | 25                                  | -30         | 80   | 735,0  | 22590.0595 |
| M24                                                                                              | 200            | 60             | 191,0          | 45                  | 9,5            | –    | 36 | 25                                  | -30         | 80   | 1041,0 | 22590.0598 |

## Sovellusesimerkki



## Vaatimuksenmukaisuus

### RoHS-yhteensopiva

Täyttävät direktiivin 2011/65/EU ja direktiivin 2015/863 vaatimukset.

### Ei sisällä SVHC-aineita

Ei sisällä yli 0,1 % w/w SVHC-aineita - SVHC-luettelo 27.06.2024.

### Ei sisällä Prop 65 aineita

Ei sisällä Proposition 65 -aineita.  
<https://www.P65Warnings.ca.gov/>

### Ei sisällä konfliktimineraaleja

Tämä tuote ei sisällä "konfliktimineraaleiksi" luokiteltuja aineita, kuten tantaalia, tinaa, kultaa tai volframia Kongon demokraattisesta tasavallasta tai sen naapurimaista."