

Jousipainimet • kuulalla ja kuusiokololla

EH 22030.



Tuotekuvaus

Käytetään pidättimenä sekä painimena.

Materiaali

Runko

- Automaattiteräs, mustattu
- Ruostumaton teräs 1.4305

Kuula

- Kuulalaakeriteräs, karkaistu
- Ruostumaton teräs, karkaistu

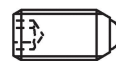
Jousi

- Ruostumaton teräs

Ominaisuudet

Vakio jousivoima: ei merkintää.

Raskas jousivoima: kaksi pituusmerkintää



vakio jousivoima



jäykemmällä jousella

Lisätietoja

Huomioi

Erikoismalleja tilauksesta.

Jousipainimien joustoliike ja jousivoima tarkistettu.

Viittaukset

Kierrelukitus pyydettyessä, katso liite -

Tekniset tiedot -

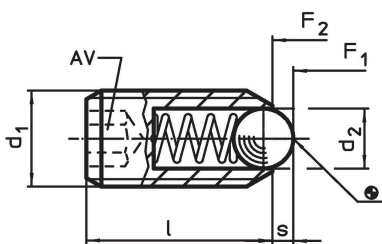
Kaava pidätinvastuksen laskemiseksi, katso

liite - Tekniset tiedot -

Lisää tuotteita

- Kohdistuselementit, reiälliset jousipainimet
- Kohdistuselementit, sileät jousipainimet
- Pidikkeet, jousipainimille

Piirustus



Tilaustiedot

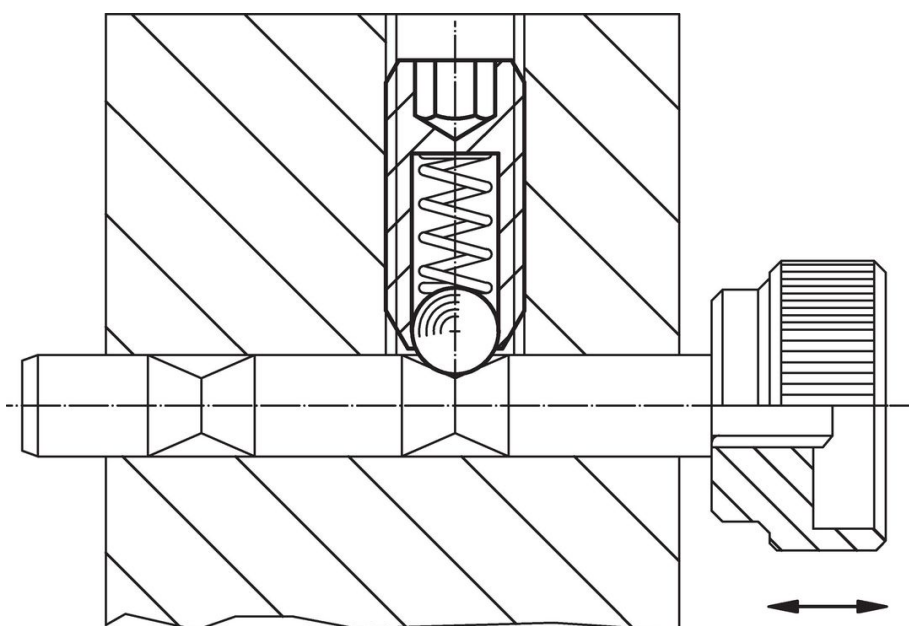
| Ulkomitat | | | AV | Isku s | Jousivoima ¹⁾ | | max. [°C] | [g] | Til.nro |
|--|----------------|----|------|-----------|--------------------------|---------------------|--------------|-------|------------|
| d ₁ | d ₂ | l | | | F ₁ ~ | F ₂ ~ | | | |
| [mm] | | | [mm] | [mm] | [N] | | | | |
| Automaattiteräs, vakio jousivoima | | | | | | | | | |
| M 3 | 1,5 | 8 | 1,5 | 0,4 | 3,0 | 4,5 | 250 | 0,2 | 22030.0003 |
| M 4 | 2,5 | 12 | 2,0 | 0,8 | 8,5 | 14,0 | 250 | 0,6 | 22030.0004 |
| M 5 | 3,0 | 14 | 2,5 | 0,9 | 8,0 | 14,0 | 250 | 1,2 | 22030.0005 |
| M 6 | 3,5 | 15 | 3,0 | 1,0 | 11,0 | 18,0 | 250 | 1,7 | 22030.0006 |
| M 8 | 4,5 | 18 | 4,0 | 1,5 | 18,0 | 31,0 | 250 | 3,9 | 22030.0008 |
| M10 | 6,0 | 23 | 5,0 | 2,0 | 24,0 | 45,0 | 250 | 8,0 | 22030.0010 |
| M12 | 8,0 | 26 | 6,0 | 2,5 | 26,0 | 49,0 | 250 | 13,0 | 22030.0012 |
| M16 | 10,0 | 33 | 8,0 | 3,5 | 41,0 | 86,0 | 250 | 32,0 | 22030.0016 |
| M20 | 12,0 | 43 | 10,0 | 4,5 | 56,0 | 111,0 | 250 | 67,0 | 22030.0020 |
| M24 | 15,0 | 48 | 12,0 | 5,5 | 81,0 | 151,0 | 250 | 105,0 | 22030.0024 |

¹⁾ Tilastollinen keskiarvo

| Ulkomitat | | | AV [mm] | Isku s [mm] | Jousivoima ¹⁾ | | max. [°C] | [g] | Til.nro |
|--|------------------------|----|------------|-------------------|----------------------------|----------------------------|--------------|-------|----------------------------|
| d ₁ | d ₂ [mm] | l | | | F ₁ ~ [N] | F ₂ ~ [N] | | | |
| Automaattiteräs, jäykemmällä jousella | | | | | | | | | |
| M 3 | 1,5 | 8 | 1,5 | 0,4 | 5,0 | 9,0 | 250 | 0,3 | 22030.0043 |
| M 4 | 2,5 | 12 | 2,0 | 0,8 | 12,0 | 18,0 | 250 | 0,6 | 22030.0044 |
| M 5 | 3,0 | 14 | 2,5 | 0,9 | 15,0 | 22,0 | 250 | 1,2 | 22030.0045 |
| M 6 | 3,5 | 15 | 3,0 | 1,0 | 19,0 | 28,0 | 250 | 1,7 | 22030.0046 |
| M 8 | 4,5 | 18 | 4,0 | 1,5 | 36,0 | 62,0 | 250 | 4,0 | 22030.0048 |
| M10 | 6,0 | 23 | 5,0 | 2,0 | 57,0 | 104,0 | 250 | 8,2 | 22030.0050 |
| M12 | 8,0 | 26 | 6,0 | 2,5 | 61,0 | 110,0 | 250 | 13,0 | 22030.0052 |
| M16 | 10,0 | 33 | 8,0 | 3,5 | 68,0 | 142,0 | 250 | 32,0 | 22030.0056 |
| M20 | 12,0 | 43 | 10,0 | 4,5 | 84,0 | 166,0 | 250 | 67,0 | 22030.0060 |
| M24 | 15,0 | 48 | 12,0 | 5,5 | 127,0 | 237,0 | 250 | 106,0 | 22030.0064 |
| Ruostumaton teräs, vakio jousivoima | | | | | | | | | |
| M 3 | 1,5 | 8 | 1,5 | 0,4 | 3,0 | 4,5 | 250 | 0,2 | 22030.0203 |
| M 4 | 2,5 | 12 | 2,0 | 0,8 | 8,5 | 14,0 | 250 | 0,6 | 22030.0204 |
| M 5 | 3,0 | 14 | 2,5 | 0,9 | 8,0 | 14,0 | 250 | 1,2 | 22030.0205 |
| M 6 | 3,5 | 15 | 3,0 | 1,0 | 11,0 | 18,0 | 250 | 1,7 | 22030.0206 |
| M 8 | 4,5 | 18 | 4,0 | 1,5 | 18,0 | 31,0 | 250 | 4,0 | 22030.0208 |
| M10 | 6,0 | 23 | 5,0 | 2,0 | 24,0 | 45,0 | 250 | 8,0 | 22030.0210 |
| M12 | 8,0 | 26 | 6,0 | 2,5 | 26,0 | 49,0 | 250 | 12,0 | 22030.0212 |
| M16 | 10,0 | 33 | 8,0 | 3,5 | 41,0 | 86,0 | 250 | 32,0 | 22030.0216 |
| M20 | 12,0 | 43 | 10,0 | 4,5 | 56,0 | 111,0 | 250 | 67,0 | 22030.0220 |
| M24 | 15,0 | 48 | 12,0 | 5,5 | 81,0 | 151,0 | 250 | 106,0 | 22030.0224 |
| Ruostumaton teräs, jäykemmällä jousella | | | | | | | | | |
| M 3 | 1,5 | 8 | 1,5 | 0,4 | 5,0 | 9,0 | 250 | 0,3 | 22030.0243 |
| M 4 | 2,5 | 12 | 2,0 | 0,8 | 12,0 | 18,0 | 250 | 0,6 | 22030.0244 |
| M 5 | 3,0 | 14 | 2,5 | 0,9 | 15,0 | 22,0 | 250 | 1,2 | 22030.0245 |
| M 6 | 3,5 | 15 | 3,0 | 1,0 | 19,0 | 28,0 | 250 | 1,8 | 22030.0246 |
| M 8 | 4,5 | 18 | 4,0 | 1,5 | 36,0 | 62,0 | 250 | 4,0 | 22030.0248 |
| M10 | 6,0 | 23 | 5,0 | 2,0 | 57,0 | 104,0 | 250 | 8,2 | 22030.0250 |
| M12 | 8,0 | 26 | 6,0 | 2,5 | 61,0 | 110,0 | 250 | 13,0 | 22030.0252 |
| M16 | 10,0 | 33 | 8,0 | 3,5 | 68,0 | 142,0 | 250 | 32,0 | 22030.0256 |
| M20 | 12,0 | 43 | 10,0 | 4,5 | 84,0 | 166,0 | 250 | 67,0 | 22030.0260 |
| M24 | 15,0 | 48 | 12,0 | 5,5 | 127,0 | 237,0 | 250 | 106,0 | 22030.0264 |

¹⁾ Tilastollinen keskiarvo

Sovellusesimerkki



Vaatimuksenmukaisuus

Tarkat sopivuustiedot nähdäkseen valitse haluttu tuotenumero.