

Empuñaduras Graduables · con rosca macho

EH 24400.



Descripción del Producto

Las empuñaduras graduables tienen aplicaciones versátiles cuando el área de uso es limitada o se requiere una posición específica de la empuñadura.

Material

Empuñadura

- Zamak, recubierto en plástico, naranja similar al RAL 2004, acabado mate
- Zamak, recubierto en plástico, plata, similar al RAL 9006, acabado mate
- Zamak, recubierto en plástico, negro, similar al RAL 9005, acabado mate

Partes internas

- Acero, pavonado, calidad 5.8

Tornillo

- Acero, pavonado, calidad 5.8

Procedimiento

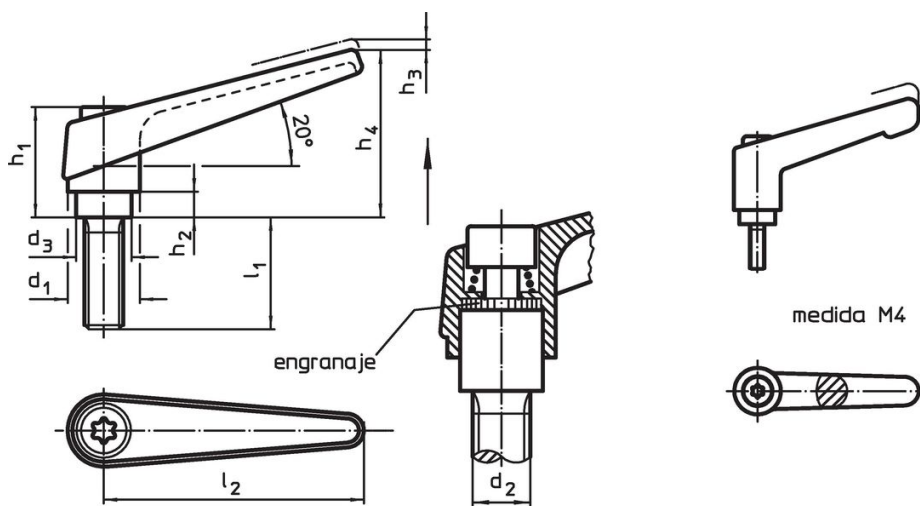
Levantando la empuñadura la corona se libera y la empuñadura puede posicionarse en la posición que se desea. Soltando la empuñadura, el engranaje se acopla automáticamente.

Más información

Notas


La parte roscada se puede intercambiar.


Dibujo



Información para el pedido

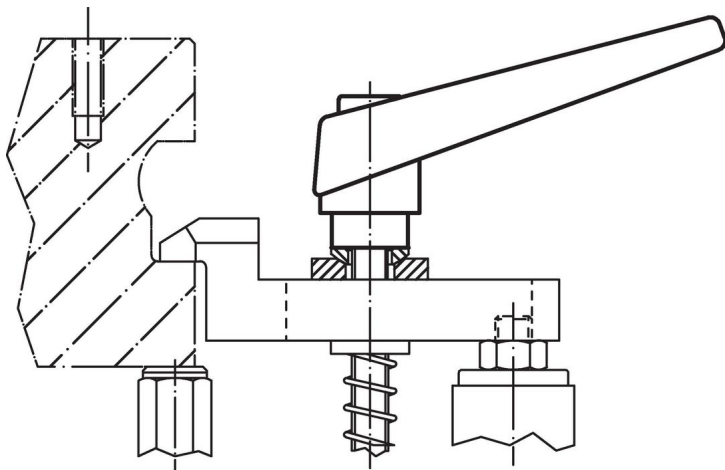
d_1	d_2	l_1	d_3	Dimensiones					l_2	[g]	Referencia
				h_1	h_2	h_3	h_4	[mm]			
naranja											
13	M 4	12	10,0	24,5	4,0	3,5	30,5	30	27	24400.0010	
13	M 4	16	10,0	24,5	4,0	3,5	30,5	30	27	24400.0014	
13	M 4	20	10,0	24,5	4,0	3,5	30,5	30	28	24400.0018	
13	M 4	25	10,0	24,5	4,0	3,5	30,5	30	28	24400.0022	
13	M 4	32	10,0	24,5	4,0	3,5	30,5	30	28	24400.0026	
14	M 5	12	10,0	24,5	4,0	3,0	35,0	45	36	24400.0041	
14	M 5	16	10,0	24,5	4,0	3,0	35,0	45	36	24400.0051	
14	M 5	20	10,0	24,5	4,0	3,0	35,0	45	37	24400.0061	
14	M 5	25	10,0	24,5	4,0	3,0	35,0	45	38	24400.0071	
14	M 5	32	10,0	24,5	4,0	3,0	35,0	45	38	24400.0081	
14	M 5	40	10,0	24,5	4,0	3,0	35,0	45	39	24400.0086	
14	M 6	12	10,0	24,5	4,0	3,0	35,0	45	37	24400.0131	
14	M 6	16	10,0	24,5	4,0	3,0	35,0	45	37	24400.0141	
14	M 6	20	10,0	24,5	4,0	3,0	35,0	45	39	24400.0151	
14	M 6	25	10,0	24,5	4,0	3,0	35,0	45	41	24400.0161	
14	M 6	32	10,0	24,5	4,0	3,0	35,0	45	40	24400.0171	
14	M 6	40	10,0	24,5	4,0	3,0	35,0	45	41	24400.0181	
14	M 6	50	10,0	24,5	4,0	3,0	35,0	45	43	24400.0191	

d ₁	d ₂	l ₁	Dimensiones					l ₂		Referencia
			d ₃	h ₁ [mm]	h ₂	h ₃	h ₄			
18	M 6	16	13,5	31,0	6,5	3,0	45,0	62	72	24400.0221
18	M 6	20	13,5	31,0	6,5	3,0	45,0	62	72	24400.0231
18	M 6	25	13,5	31,0	6,5	3,0	45,0	62	74	24400.0241
18	M 6	32	13,5	31,0	6,5	3,0	45,0	62	74	24400.0251
18	M 6	40	13,5	31,0	6,5	3,0	45,0	62	76	24400.0261
18	M 6	50	13,5	31,0	6,5	3,0	45,0	62	76	24400.0271
18	M 6	63	13,5	31,0	6,5	3,0	45,0	62	80	24400.0281
18	M 8	16	13,5	31,0	6,5	3,0	45,0	62	74	24400.0331
18	M 8	20	13,5	31,0	6,5	3,0	45,0	62	76	24400.0341
18	M 8	25	13,5	31,0	6,5	3,0	45,0	62	86	24400.0351
18	M 8	32	13,5	31,0	6,5	3,0	45,0	62	86	24400.0361
18	M 8	40	13,5	31,0	6,5	3,0	45,0	62	88	24400.0371
18	M 8	50	13,5	31,0	6,5	3,0	45,0	62	89	24400.0381
18	M 8	63	13,5	31,0	6,5	3,0	45,0	62	96	24400.0391
22	M10	20	16,0	36,0	8,0	3,5	52,0	74	128	24400.0441
22	M10	25	16,0	36,0	8,0	3,5	52,0	74	130	24400.0451
22	M10	32	16,0	36,0	8,0	3,5	52,0	74	134	24400.0461
22	M10	40	16,0	36,0	8,0	3,5	52,0	74	138	24400.0471
22	M10	50	16,0	36,0	8,0	3,5	52,0	74	143	24400.0481
22	M10	63	16,0	36,0	8,0	3,5	52,0	74	152	24400.0486
22	M10	80	16,0	36,0	8,0	3,5	52,0	74	166	24400.0491
25	M12	25	19,0	43,0	11,0	4,0	63,0	89	205	24400.0541
25	M12	32	19,0	43,0	11,0	4,0	63,0	89	209	24400.0551
25	M12	40	19,0	43,0	11,0	4,0	63,0	89	215	24400.0561
25	M12	50	19,0	43,0	11,0	4,0	63,0	89	222	24400.0571
25	M12	63	19,0	43,0	11,0	4,0	63,0	89	232	24400.0581
25	M12	80	19,0	43,0	11,0	4,0	63,0	89	244	24400.0591
30	M16	32	23,0	50,5	12,0	5,0	76,0	108	348	24400.0641
30	M16	40	23,0	50,5	12,0	5,0	76,0	108	357	24400.0651
30	M16	50	23,0	50,5	12,0	5,0	76,0	108	370	24400.0661
30	M16	63	23,0	50,5	12,0	5,0	76,0	108	386	24400.0671
30	M16	80	23,0	50,5	12,0	5,0	76,0	108	407	24400.0681
plata										
14	M 5	12	10,0	24,5	4,0	3,0	35,0	45	36	24400.0043
14	M 5	16	10,0	24,5	4,0	3,0	35,0	45	36	24400.0053
14	M 5	20	10,0	24,5	4,0	3,0	35,0	45	37	24400.0063
14	M 5	25	10,0	24,5	4,0	3,0	35,0	45	38	24400.0073
14	M 5	32	10,0	24,5	4,0	3,0	35,0	45	38	24400.0083
14	M 5	40	10,0	24,5	4,0	3,0	35,0	45	39	24400.0088
14	M 6	12	10,0	24,5	4,0	3,0	35,0	45	37	24400.0133
14	M 6	16	10,0	24,5	4,0	3,0	35,0	45	37	24400.0143
14	M 6	20	10,0	24,5	4,0	3,0	35,0	45	39	24400.0153
14	M 6	25	10,0	24,5	4,0	3,0	35,0	45	41	24400.0163
14	M 6	32	10,0	24,5	4,0	3,0	35,0	45	40	24400.0173
14	M 6	40	10,0	24,5	4,0	3,0	35,0	45	41	24400.0183
14	M 6	50	10,0	24,5	4,0	3,0	35,0	45	43	24400.0193
18	M 6	16	13,5	31,0	6,5	3,0	45,0	62	72	24400.0223
18	M 6	20	13,5	31,0	6,5	3,0	45,0	62	72	24400.0233
18	M 6	25	13,5	31,0	6,5	3,0	45,0	62	74	24400.0243
18	M 6	32	13,5	31,0	6,5	3,0	45,0	62	74	24400.0253
18	M 6	40	13,5	31,0	6,5	3,0	45,0	62	76	24400.0263
18	M 6	50	13,5	31,0	6,5	3,0	45,0	62	76	24400.0273
18	M 6	63	13,5	31,0	6,5	3,0	45,0	62	80	24400.0283
18	M 8	16	13,5	31,0	6,5	3,0	45,0	62	74	24400.0333
18	M 8	20	13,5	31,0	6,5	3,0	45,0	62	76	24400.0343
18	M 8	25	13,5	31,0	6,5	3,0	45,0	62	86	24400.0353
18	M 8	32	13,5	31,0	6,5	3,0	45,0	62	86	24400.0363
18	M 8	40	13,5	31,0	6,5	3,0	45,0	62	88	24400.0373
18	M 8	50	13,5	31,0	6,5	3,0	45,0	62	89	24400.0383
18	M 8	63	13,5	31,0	6,5	3,0	45,0	62	96	24400.0393
22	M10	20	16,0	36,0	8,0	3,5	52,0	74	128	24400.0443
22	M10	25	16,0	36,0	8,0	3,5	52,0	74	130	24400.0453

d ₁	d ₂	l ₁	d ₃	Dimensiones					l ₂	 [g]	Referencia
				h ₁	h ₂	h ₃	h ₄	[mm]			
22	M10	32	16,0	36,0	8,0	3,5	52,0	74	134	24400.0463	
22	M10	40	16,0	36,0	8,0	3,5	52,0	74	138	24400.0473	
22	M10	50	16,0	36,0	8,0	3,5	52,0	74	143	24400.0483	
22	M10	63	16,0	36,0	8,0	3,5	52,0	74	152	24400.0488	
22	M10	80	16,0	36,0	8,0	3,5	52,0	74	166	24400.0493	
25	M12	25	19,0	43,0	11,0	4,0	63,0	89	205	24400.0543	
25	M12	32	19,0	43,0	11,0	4,0	63,0	89	209	24400.0553	
25	M12	40	19,0	43,0	11,0	4,0	63,0	89	215	24400.0563	
25	M12	50	19,0	43,0	11,0	4,0	63,0	89	222	24400.0573	
25	M12	63	19,0	43,0	11,0	4,0	63,0	89	232	24400.0583	
25	M12	80	19,0	43,0	11,0	4,0	63,0	89	244	24400.0593	
30	M16	32	23,0	50,5	12,0	5,0	76,0	108	348	24400.0643	
30	M16	40	23,0	50,5	12,0	5,0	76,0	108	357	24400.0653	
30	M16	50	23,0	50,5	12,0	5,0	76,0	108	370	24400.0663	
30	M16	63	23,0	50,5	12,0	5,0	76,0	108	386	24400.0673	
30	M16	80	23,0	50,5	12,0	5,0	76,0	108	407	24400.0683	
negro											
13	M 4	12	10,0	24,5	4,0	3,5	30,5	30	27	24400.0012	
13	M 4	16	10,0	24,5	4,0	3,5	30,5	30	27	24400.0016	
13	M 4	20	10,0	24,5	4,0	3,5	30,5	30	28	24400.0020	
13	M 4	25	10,0	24,5	4,0	3,5	30,5	30	28	24400.0024	
13	M 4	32	10,0	24,5	4,0	3,5	30,5	30	28	24400.0028	
14	M 5	12	10,0	24,5	4,0	3,0	35,0	45	36	24400.0044	
14	M 5	16	10,0	24,5	4,0	3,0	35,0	45	36	24400.0054	
14	M 5	20	10,0	24,5	4,0	3,0	35,0	45	37	24400.0064	
14	M 5	25	10,0	24,5	4,0	3,0	35,0	45	38	24400.0074	
14	M 5	32	10,0	24,5	4,0	3,0	35,0	45	38	24400.0084	
14	M 5	40	10,0	24,5	4,0	3,0	35,0	45	39	24400.0089	
14	M 6	12	10,0	24,5	4,0	3,0	35,0	45	37	24400.0134	
14	M 6	16	10,0	24,5	4,0	3,0	35,0	45	37	24400.0144	
14	M 6	20	10,0	24,5	4,0	3,0	35,0	45	39	24400.0154	
14	M 6	25	10,0	24,5	4,0	3,0	35,0	45	41	24400.0164	
14	M 6	32	10,0	24,5	4,0	3,0	35,0	45	40	24400.0174	
14	M 6	40	10,0	24,5	4,0	3,0	35,0	45	41	24400.0184	
14	M 6	50	10,0	24,5	4,0	3,0	35,0	45	43	24400.0194	
18	M 6	16	13,5	31,0	6,5	3,0	45,0	62	72	24400.0224	
18	M 6	20	13,5	31,0	6,5	3,0	45,0	62	72	24400.0234	
18	M 6	25	13,5	31,0	6,5	3,0	45,0	62	74	24400.0244	
18	M 6	32	13,5	31,0	6,5	3,0	45,0	62	74	24400.0254	
18	M 6	40	13,5	31,0	6,5	3,0	45,0	62	76	24400.0264	
18	M 6	50	13,5	31,0	6,5	3,0	45,0	62	76	24400.0274	
18	M 6	63	13,5	31,0	6,5	3,0	45,0	62	80	24400.0284	
18	M 8	16	13,5	31,0	6,5	3,0	45,0	62	74	24400.0334	
18	M 8	20	13,5	31,0	6,5	3,0	45,0	62	76	24400.0344	
18	M 8	25	13,5	31,0	6,5	3,0	45,0	62	86	24400.0354	
18	M 8	32	13,5	31,0	6,5	3,0	45,0	62	86	24400.0364	
18	M 8	40	13,5	31,0	6,5	3,0	45,0	62	88	24400.0374	
18	M 8	50	13,5	31,0	6,5	3,0	45,0	62	89	24400.0384	
18	M 8	63	13,5	31,0	6,5	3,0	45,0	62	96	24400.0394	
22	M10	20	16,0	36,0	8,0	3,5	52,0	74	128	24400.0444	
22	M10	25	16,0	36,0	8,0	3,5	52,0	74	130	24400.0454	
22	M10	32	16,0	36,0	8,0	3,5	52,0	74	134	24400.0464	
22	M10	40	16,0	36,0	8,0	3,5	52,0	74	138	24400.0474	
22	M10	50	16,0	36,0	8,0	3,5	52,0	74	143	24400.0484	
22	M10	63	16,0	36,0	8,0	3,5	52,0	74	152	24400.0489	
22	M10	80	16,0	36,0	8,0	3,5	52,0	74	166	24400.0494	
25	M12	25	19,0	43,0	11,0	4,0	63,0	89	205	24400.0544	
25	M12	32	19,0	43,0	11,0	4,0	63,0	89	209	24400.0554	
25	M12	40	19,0	43,0	11,0	4,0	63,0	89	215	24400.0564	
25	M12	50	19,0	43,0	11,0	4,0	63,0	89	222	24400.0574	
25	M12	63	19,0	43,0	11,0	4,0	63,0	89	232	24400.0584	
25	M12	80	19,0	43,0	11,0	4,0	63,0	89	244	24400.0594	

d ₁	d ₂	l ₁	d ₃	Dimensiones					[g]	Referencia
				h ₁	h ₂	h ₃	h ₄	l ₂		
30	M16	32	23,0	50,5	12,0	5,0	76,0	108	348	24400.0644
30	M16	40	23,0	50,5	12,0	5,0	76,0	108	357	24400.0654
30	M16	50	23,0	50,5	12,0	5,0	76,0	108	370	24400.0664
30	M16	63	23,0	50,5	12,0	5,0	76,0	108	386	24400.0674
30	M16	80	23,0	50,5	12,0	5,0	76,0	108	407	24400.0684

Ejemplo de aplicación



Cumplimiento

Cumple con RoHS

Contiene plomo - cumple con las excepciones 6a / 6b / 6c.

Contiene sustancias SVHC > 0,1% p / p

Contiene plomo - Lista SVHC [REACH] desde 27.06.2024.

Contiene sustancias de la Proposición 65



El plomo puede causar cáncer y daño reproductivo debido a la exposición
<https://www.P65Warnings.ca.gov/>

Libre de Materiales Conflictivos

Este producto no contiene ninguna sustancia designada como "minerales en conflicto" como tantalio, estaño, oro o tungsteno de la República Democrática del Congo o países adyacentes.