

## Empuñaduras Graduables · con la parte interna de acero inoxidable, con rosca macho EH 24390.



### Descripción del Producto

Empuñaduras graduables con mecanismo interno anti-óxido. Adecuadas para múltiples aplicaciones como tecnología médica, industria química, etc.

### Material

#### Empuñadura

- Zamak, recubierto en plástico, naranja similar al RAL 2004, acabado mate
- Zamak, recubierto en plástico, negro, similar al RAL 9005, acabado mate

#### Partes internas

- Acero inoxidable 1.4305

#### Tornillo

- Acero inoxidable 1.4305

### Procedimiento

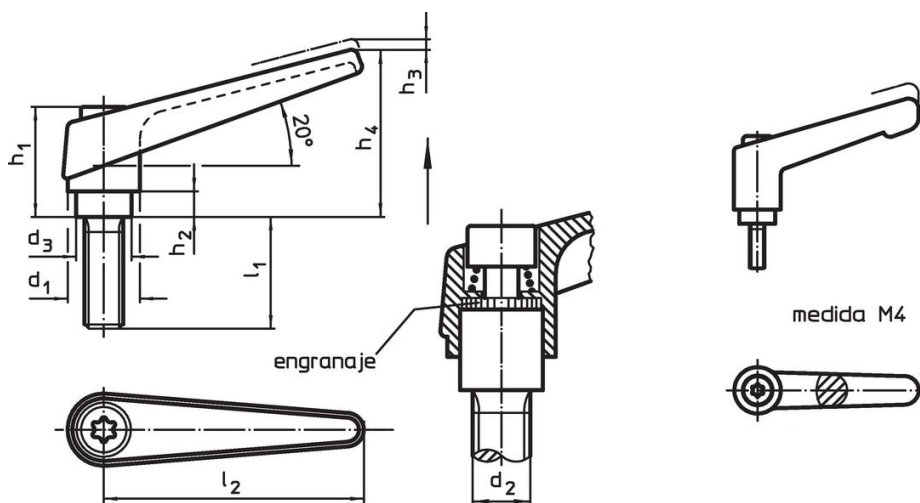
**Levantando la empuñadura** la corona se libera y la empuñadura puede posicionarse en la posición que se desea. Soltando la empuñadura, el engranaje se acopla automáticamente.

### Más información

### Notas


La parte roscada se puede intercambiar.

### Dibujo



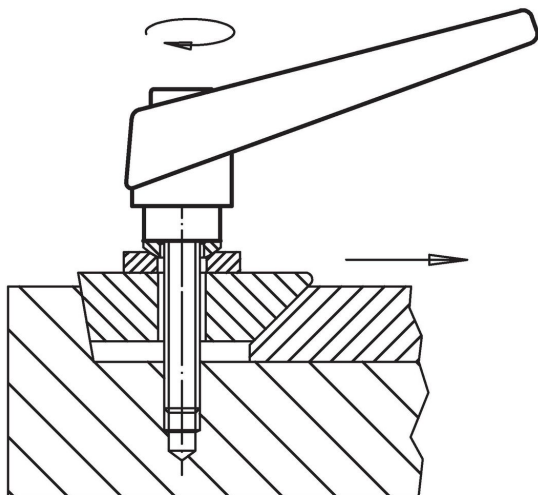
### Información para el pedido

d <sub>1</sub>	d <sub>2</sub>	l <sub>1</sub>	d <sub>3</sub>	Dimensiones					l <sub>2</sub>	[g]	Referencia
				h <sub>1</sub>	h <sub>2</sub>	h <sub>3</sub>	h <sub>4</sub>	[mm]			
<b>naranja</b>											
13	M 4	12	10,0	24,5	4,0	3,5	30,5	30	27	24390.0010	
13	M 4	16	10,0	24,5	4,0	3,5	30,5	30	30	24390.0014	
13	M 4	20	10,0	24,5	4,0	3,5	30,5	30	28	24390.0018	
13	M 4	25	10,0	24,5	4,0	3,5	30,5	30	28	24390.0022	
13	M 4	32	10,0	24,5	4,0	3,5	30,5	30	29	24390.0026	
14	M 5	12	10,0	24,5	4,0	3,0	35,0	45	36	24390.0041	
14	M 5	16	10,0	24,5	4,0	3,0	35,0	45	36	24390.0051	
14	M 5	20	10,0	24,5	4,0	3,0	35,0	45	37	24390.0061	
14	M 5	25	10,0	24,5	4,0	3,0	35,0	45	38	24390.0071	
14	M 5	32	10,0	24,5	4,0	3,0	35,0	45	38	24390.0081	
14	M 5	40	10,0	24,5	4,0	3,0	35,0	45	39	24390.0086	
14	M 6	12	10,0	24,5	4,0	3,0	35,0	45	37	24390.0131	
14	M 6	16	10,0	24,5	4,0	3,0	35,0	45	37	24390.0141	
14	M 6	20	10,0	24,5	4,0	3,0	35,0	45	38	24390.0151	
14	M 6	25	10,0	24,5	4,0	3,0	35,0	45	39	24390.0161	
14	M 6	32	10,0	24,5	4,0	3,0	35,0	45	40	24390.0171	
14	M 6	40	10,0	24,5	4,0	3,0	35,0	45	41	24390.0181	
14	M 6	50	10,0	24,5	4,0	3,0	35,0	45	43	24390.0191	
18	M 8	16	13,5	31,0	6,5	3,0	45,0	62	74	24390.0331	

d <sub>1</sub>	d <sub>2</sub>	l <sub>1</sub>	d <sub>3</sub>	Dimensiones					l <sub>2</sub>	 [g]	Referencia
				h <sub>1</sub>	h <sub>2</sub>	h <sub>3</sub>	h <sub>4</sub>	[mm]			
18	M 8	20	13,5	31,0	6,5	3,0	45,0	62	76	24390.0341	
18	M 8	25	13,5	31,0	6,5	3,0	45,0	62	77	24390.0351	
18	M 8	32	13,5	31,0	6,5	3,0	45,0	62	79	24390.0361	
18	M 8	40	13,5	31,0	6,5	3,0	45,0	62	81	24390.0371	
18	M 8	50	13,5	31,0	6,5	3,0	45,0	62	84	24390.0381	
18	M 8	63	13,5	31,0	6,5	3,0	45,0	62	89	24390.0391	
22	M10	20	16,0	36,0	8,0	3,5	52,0	74	128	24390.0441	
22	M10	25	16,0	36,0	8,0	3,5	52,0	74	130	24390.0451	
22	M10	32	16,0	36,0	8,0	3,5	52,0	74	134	24390.0461	
22	M10	40	16,0	36,0	8,0	3,5	52,0	74	138	24390.0471	
22	M10	50	16,0	36,0	8,0	3,5	52,0	74	143	24390.0481	
22	M10	63	16,0	36,0	8,0	3,5	52,0	74	148	24390.0486	
22	M10	80	16,0	36,0	8,0	3,5	52,0	74	157	24390.0491	
25	M12	25	19,0	43,0	11,0	4,0	63,0	89	205	24390.0541	
25	M12	32	19,0	43,0	11,0	4,0	63,0	89	209	24390.0551	
25	M12	40	19,0	43,0	11,0	4,0	63,0	89	215	24390.0561	
25	M12	50	19,0	43,0	11,0	4,0	63,0	89	222	24390.0571	
25	M12	63	19,0	43,0	11,0	4,0	63,0	89	232	24390.0581	
25	M12	80	19,0	43,0	11,0	4,0	63,0	89	240	24390.0591	
30	M16	32	23,0	50,5	12,0	5,0	76,0	108	348	24390.0641	
30	M16	40	23,0	50,5	12,0	5,0	76,0	108	357	24390.0651	
30	M16	50	23,0	50,5	12,0	5,0	76,0	108	370	24390.0661	
30	M16	63	23,0	50,5	12,0	5,0	76,0	108	386	24390.0671	
30	M16	80	23,0	50,5	12,0	5,0	76,0	108	407	24390.0681	
<b>negro</b>											
13	M 4	12	10,0	24,5	4,0	3,5	30,5	30	27	24390.0012	
13	M 4	16	10,0	24,5	4,0	3,5	30,5	30	30	24390.0016	
13	M 4	20	10,0	24,5	4,0	3,5	30,5	30	28	24390.0020	
13	M 4	25	10,0	24,5	4,0	3,5	30,5	30	28	24390.0024	
13	M 4	32	10,0	24,5	4,0	3,5	30,5	30	29	24390.0028	
14	M 5	12	10,0	24,5	4,0	3,0	35,0	45	36	24390.0044	
14	M 5	16	10,0	24,5	4,0	3,0	35,0	45	36	24390.0054	
14	M 5	20	10,0	24,5	4,0	3,0	35,0	45	37	24390.0064	
14	M 5	25	10,0	24,5	4,0	3,0	35,0	45	38	24390.0074	
14	M 5	32	10,0	24,5	4,0	3,0	35,0	45	38	24390.0084	
14	M 5	40	10,0	24,5	4,0	3,0	35,0	45	39	24390.0089	
14	M 6	12	10,0	24,5	4,0	3,0	35,0	45	37	24390.0134	
14	M 6	16	10,0	24,5	4,0	3,0	35,0	45	37	24390.0144	
14	M 6	20	10,0	24,5	4,0	3,0	35,0	45	38	24390.0154	
14	M 6	25	10,0	24,5	4,0	3,0	35,0	45	39	24390.0164	
14	M 6	32	10,0	24,5	4,0	3,0	35,0	45	40	24390.0174	
14	M 6	40	10,0	24,5	4,0	3,0	35,0	45	41	24390.0184	
14	M 6	50	10,0	24,5	4,0	3,0	35,0	45	43	24390.0194	
18	M 8	16	13,5	31,0	6,5	3,0	45,0	62	74	24390.0334	
18	M 8	20	13,5	31,0	6,5	3,0	45,0	62	76	24390.0344	
18	M 8	25	13,5	31,0	6,5	3,0	45,0	62	77	24390.0354	
18	M 8	32	13,5	31,0	6,5	3,0	45,0	62	79	24390.0364	
18	M 8	40	13,5	31,0	6,5	3,0	45,0	62	81	24390.0374	
18	M 8	50	13,5	31,0	6,5	3,0	45,0	62	84	24390.0384	
18	M 8	63	13,5	31,0	6,5	3,0	45,0	62	89	24390.0394	
22	M10	20	16,0	36,0	8,0	3,5	52,0	74	128	24390.0444	
22	M10	25	16,0	36,0	8,0	3,5	52,0	74	130	24390.0454	
22	M10	32	16,0	36,0	8,0	3,5	52,0	74	134	24390.0464	
22	M10	40	16,0	36,0	8,0	3,5	52,0	74	138	24390.0474	
22	M10	50	16,0	36,0	8,0	3,5	52,0	74	143	24390.0484	
22	M10	63	16,0	36,0	8,0	3,5	52,0	74	148	24390.0489	
22	M10	80	16,0	36,0	8,0	3,5	52,0	74	157	24390.0494	
25	M12	25	19,0	43,0	11,0	4,0	63,0	89	205	24390.0544	
25	M12	32	19,0	43,0	11,0	4,0	63,0	89	209	24390.0554	
25	M12	40	19,0	43,0	11,0	4,0	63,0	89	215	24390.0564	
25	M12	50	19,0	43,0	11,0	4,0	63,0	89	222	24390.0574	
25	M12	63	19,0	43,0	11,0	4,0	63,0	89	232	24390.0584	

d <sub>1</sub>	d <sub>2</sub>	l <sub>1</sub>	d <sub>3</sub>	Dimensiones					[g]	Referencia
				h <sub>1</sub>	h <sub>2</sub>	h <sub>3</sub>	h <sub>4</sub>	l <sub>2</sub>		
25	M12	80	19,0	43,0	11,0	4,0	63,0	89	240	<a href="#">24390.0594</a>
30	M16	32	23,0	50,5	12,0	5,0	76,0	108	348	<a href="#">24390.0644</a>
30	M16	40	23,0	50,5	12,0	5,0	76,0	108	357	<a href="#">24390.0654</a>
30	M16	50	23,0	50,5	12,0	5,0	76,0	108	370	<a href="#">24390.0664</a>
30	M16	63	23,0	50,5	12,0	5,0	76,0	108	386	<a href="#">24390.0674</a>
30	M16	80	23,0	50,5	12,0	5,0	76,0	108	407	<a href="#">24390.0684</a>

### Ejemplo de aplicación



### Cumplimiento

#### Cumple con RoHS

Contiene plomo - cumple con las excepciones 6a / 6b / 6c.

#### Contiene sustancias SVHC > 0,1% p / p

Contiene plomo - Lista SVHC [REACH] desde 27.06.2024.

#### Contiene sustancias de la Proposición 65



El plomo puede causar cáncer y daño reproductivo debido a la exposición  
<https://www.P65Warnings.ca.gov/>

#### Libre de Materiales Conflictivos

Este producto no contiene ninguna sustancia designada como "minerales en conflicto" como tantalio, estaño, oro o tungsteno de la República Democrática del Congo o países adyacentes.