

Tornillos de Bola · sin cabeza, con bloqueo que impide el giro de la bola

EH 22700.



Descripción del Producto

Estos tornillos de bola también se pueden utilizar para sujetar, apretar o soportar superficies no paralelas.
La bola móvil de cara truncada permite una transmisión de carga plana.

Material

Bola

- Acero para rodamiento, templado
- Acero inoxidable, templado

Tornillo

- Acero termotratado, 1200 ±100 N/mm²
- Acero inoxidable 1.4305

Más información

Notas

Bola bloqueada para impedir su giro.
Ejecuciones especiales bajo pedido.

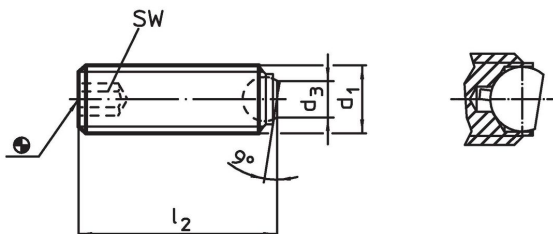
Referencias

Rosca-freno bajo pedido, por favor consulten el anexo de Datos Técnicos.


Otros productos

- Tornillos de Bola, sin cabeza, bola truncada
- Tornillos de Bola, sin cabeza, con rosca fina
- Tornillos de Bola, sin cabeza, bola truncada y casquillo hexalobular


Dibujo



Información para el pedido

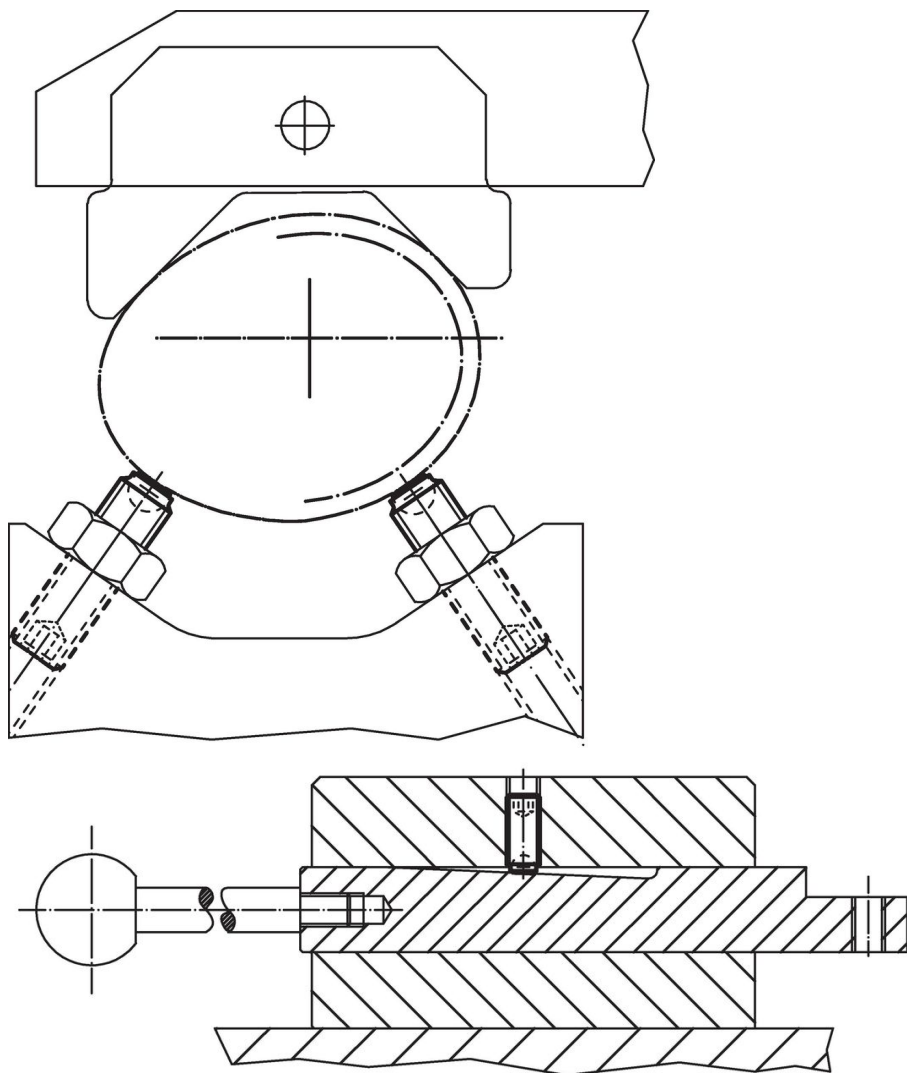
| d ₁ | l ₂ | Dimensiones d ₃ [mm] | Diámetro de la bola | SW [mm] | Capacidad de carga estática ¹⁾ máx. [kN] |  [g] | Referencia |
|---|----------------|---------------------------------------|---------------------|------------|--|--|----------------------------|
| bola truncada, superficie de apoyo plana, Acero termotratado | | | | | | | |
| M 6 | 12 | 3,2 | 4,0 | 3 | 6 | 1,6 | 22700.0563 |
| M 6 | 16 | 3,2 | 4,0 | 3 | 6 | 2,3 | 22700.0564 |
| M 6 | 20 | 3,2 | 4,0 | 3 | 6 | 3,0 | 22700.0565 |
| M 6 | 25 | 3,2 | 4,0 | 3 | 6 | 3,8 | 22700.0566 |
| M 8 | 16 | 4,5 | 5,5 | 4 | 9 | 3,9 | 22700.0583 |
| M 8 | 20 | 4,5 | 5,5 | 4 | 9 | 5,1 | 22700.0584 |
| M 8 | 25 | 4,5 | 5,5 | 4 | 9 | 6,6 | 22700.0585 |
| M 8 | 30 | 4,5 | 5,5 | 4 | 9 | 8,3 | 22700.0586 |
| M10 | 20 | 6,0 | 7,0 | 5 | 12 | 7,7 | 22700.0603 |
| M10 | 25 | 6,0 | 7,0 | 5 | 12 | 10,0 | 22700.0604 |
| M10 | 35 | 6,0 | 7,0 | 5 | 12 | 15,0 | 22700.0606 |
| M10 | 40 | 6,0 | 7,0 | 5 | 12 | 17,0 | 22700.0608 |
| M12 | 20 | 7,2 | 8,5 | 6 | 18 | 11,0 | 22700.0622 |
| M12 | 30 | 7,2 | 8,5 | 6 | 18 | 18,0 | 22700.0624 |
| M12 | 40 | 7,2 | 8,5 | 6 | 18 | 25,0 | 22700.0626 |
| M12 | 50 | 7,2 | 8,5 | 6 | 18 | 32,0 | 22700.0628 |
| M16 | 20 | 10,7 | 12,0 | 8 | 36 | 22,0 | 22700.0661 |
| M16 | 25 | 10,7 | 12,0 | 8 | 36 | 28,0 | 22700.0662 |
| M16 | 35 | 10,7 | 12,0 | 8 | 36 | 38,0 | 22700.0664 |
| M16 | 50 | 10,7 | 12,0 | 8 | 36 | 60,0 | 22700.0666 |
| M20 | 30 | 13,5 | 15,0 | 10 | 60 | 53,0 | 22700.0672 |
| M20 | 40 | 13,5 | 15,0 | 10 | 60 | 70,0 | 22700.0674 |

¹⁾ Valores de carga indicados no válidos para los modelos en acero inoxidable.

| d ₁ | l ₂ | Dimensiones | | Diámetro de la bola | SW [mm] | Capacidad de carga estática ¹⁾ máx. [kN] |  [g] | Referencia |
|--|----------------|----------------|------|---------------------|------------|---|--|----------------------------|
| | | d ₃ | [mm] | | | | | |
| M20 | 50 | 13,5 | | 15,0 | 10 | 60 | 90,0 | 22700.0675 |
| M20 | 60 | 13,5 | | 15,0 | 10 | 60 | 111,0 | 22700.0676 |
| M24 | 35 | 15,8 | | 18,0 | 12 | 80 | 85,0 | 22700.0682 |
| M24 | 50 | 15,8 | | 18,0 | 12 | 80 | 125,0 | 22700.0684 |
| M24 | 80 | 15,8 | | 18,0 | 12 | 80 | 215,0 | 22700.0686 |
| bola truncada, superficie de apoyo plana, Acero inoxidable | | | | | | | | |
| M 6 | 12 | 3,2 | | 4,0 | 3 | 6 | 1,6 | 22700.0803 |
| M 6 | 16 | 3,2 | | 4,0 | 3 | 6 | 2,3 | 22700.0804 |
| M 6 | 20 | 3,2 | | 4,0 | 3 | 6 | 3,0 | 22700.0805 |
| M 6 | 25 | 3,2 | | 4,0 | 3 | 6 | 3,8 | 22700.0806 |
| M 8 | 16 | 4,5 | | 5,5 | 4 | 9 | 3,9 | 22700.0813 |
| M 8 | 20 | 4,5 | | 5,5 | 4 | 9 | 5,1 | 22700.0814 |
| M 8 | 25 | 4,5 | | 5,5 | 4 | 9 | 6,6 | 22700.0815 |
| M 8 | 30 | 4,5 | | 5,5 | 4 | 9 | 8,3 | 22700.0816 |
| M10 | 20 | 6,0 | | 7,0 | 5 | 12 | 7,7 | 22700.0823 |
| M10 | 25 | 6,0 | | 7,0 | 5 | 12 | 10,0 | 22700.0824 |
| M10 | 35 | 6,0 | | 7,0 | 5 | 12 | 15,0 | 22700.0826 |
| M10 | 40 | 6,0 | | 7,0 | 5 | 12 | 17,0 | 22700.0828 |
| M12 | 20 | 7,2 | | 8,5 | 6 | 18 | 11,0 | 22700.0832 |
| M12 | 30 | 7,2 | | 8,5 | 6 | 18 | 18,0 | 22700.0834 |
| M12 | 40 | 7,2 | | 8,5 | 6 | 18 | 25,0 | 22700.0836 |
| M12 | 50 | 7,2 | | 8,5 | 6 | 18 | 32,0 | 22700.0838 |
| M16 | 20 | 10,7 | | 12,0 | 8 | 36 | 22,0 | 22700.0841 |
| M16 | 25 | 10,7 | | 12,0 | 8 | 36 | 28,0 | 22700.0842 |
| M16 | 35 | 10,7 | | 12,0 | 8 | 36 | 38,0 | 22700.0844 |
| M16 | 50 | 10,7 | | 12,0 | 8 | 36 | 60,0 | 22700.0846 |
| bola truncada, superficie de apoyo estriada, Acero termotratado | | | | | | | | |
| M 8 | 16 | 4,5 | | 5,5 | 4 | 9 | 3,9 | 22700.0693 |
| M 8 | 20 | 4,5 | | 5,5 | 4 | 9 | 5,1 | 22700.0694 |
| M 8 | 25 | 4,5 | | 5,5 | 4 | 9 | 6,6 | 22700.0695 |
| M 8 | 30 | 4,5 | | 5,5 | 4 | 9 | 8,3 | 22700.0696 |
| M10 | 20 | 6,0 | | 7,0 | 5 | 12 | 7,7 | 22700.0703 |
| M10 | 25 | 6,0 | | 7,0 | 5 | 12 | 10,0 | 22700.0704 |
| M10 | 35 | 6,0 | | 7,0 | 5 | 12 | 15,0 | 22700.0706 |
| M10 | 40 | 6,0 | | 7,0 | 5 | 12 | 17,0 | 22700.0708 |
| M12 | 20 | 7,2 | | 8,5 | 6 | 18 | 11,0 | 22700.0722 |
| M12 | 30 | 7,2 | | 8,5 | 6 | 18 | 18,0 | 22700.0724 |
| M12 | 40 | 7,2 | | 8,5 | 6 | 18 | 25,0 | 22700.0726 |
| M12 | 50 | 7,2 | | 8,5 | 6 | 18 | 31,0 | 22700.0728 |
| M16 | 20 | 10,7 | | 12,0 | 8 | 36 | 22,0 | 22700.0761 |
| M16 | 25 | 10,7 | | 12,0 | 8 | 36 | 27,0 | 22700.0762 |
| M16 | 35 | 10,7 | | 12,0 | 8 | 36 | 40,0 | 22700.0764 |
| M16 | 50 | 10,7 | | 12,0 | 8 | 36 | 60,0 | 22700.0766 |
| M20 | 30 | 13,5 | | 15,0 | 10 | 60 | 52,0 | 22700.0772 |
| M20 | 40 | 13,5 | | 15,0 | 10 | 60 | 70,0 | 22700.0774 |
| M20 | 50 | 13,5 | | 15,0 | 10 | 60 | 89,0 | 22700.0775 |
| M20 | 60 | 13,5 | | 15,0 | 10 | 60 | 111,0 | 22700.0776 |
| M24 | 35 | 15,8 | | 18,0 | 12 | 80 | 85,0 | 22700.0782 |
| M24 | 50 | 15,8 | | 18,0 | 12 | 80 | 125,0 | 22700.0784 |
| M24 | 80 | 15,8 | | 18,0 | 12 | 80 | 215,0 | 22700.0786 |

¹⁾ Valores de carga indicados no válidos para los modelos en acero inoxidable.

Ejemplo de aplicación



Cumplimiento

Para obtener información detallada sobre el cumplimiento, seleccione el número de artículo deseado.