

## Centraores • con punta de bola

### EH 22630.



#### Descripción del Producto

Los centraores con punta de bola facilitan la inserción y extracción evitando la inclinación de sujeción.

#### Material

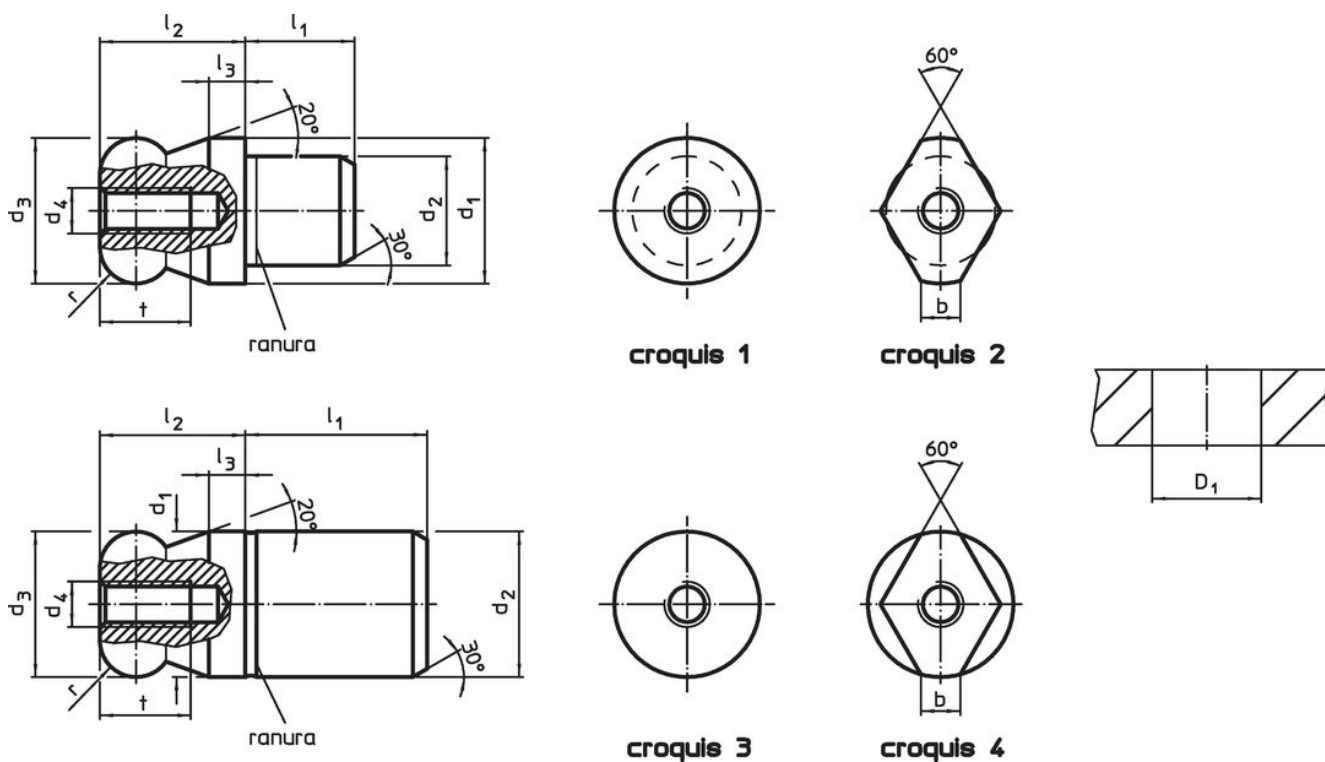
- Acero para utillajes, templado, pavonado y rectificado
- Acero inoxidable 1.4305, desbastado, superficie templada

#### Más información

#### Otros productos


- Centraores, DIN 6321
- Centraores, con orificio similar a DIN 6321

#### Dibujo



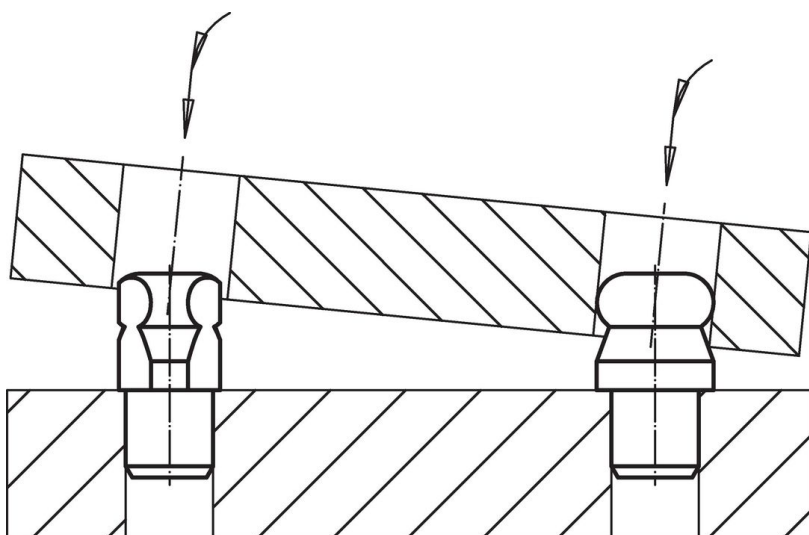
#### Información para el pedido

d <sub>1</sub>	d <sub>2</sub>	d <sub>3</sub>	d <sub>4</sub>	Dimensiones						Alojamiento D <sub>1</sub> H7	[g]	Referencia	
				l <sub>1</sub>	l <sub>2</sub>	l <sub>3</sub>	t	r	b				
g6	n6	-0,01 -0,05											
[mm]													
<b>bola completa – croquis 1, Acero para utillajes</b>													
6	4	6	M2,5	4	6	2,0	4,5	1,0	–	4	1,8	22630.0306	
8	6	8	M3	6	8	2,0	6,0	2,0	–	6	3,9	22630.0308	
10	7	10	M3	7	10	2,5	6,0	2,5	–	7	6,7	22630.0310	
12	8	12	M4	8	12	3,0	8,0	3,0	–	8	11,0	22630.0312	
14	10	14	M4	10	14	3,5	8,0	3,5	–	10	20,0	22630.0314	
16	12	16	M5	12	16	4,0	10,0	4,0	–	12	31,0	22630.0316	
20	14	20	M5	14	20	5,0	10,0	5,0	–	14	58,0	22630.0320	
22	16	22	M5	16	22	5,5	10,0	5,5	–	16	81,0	22630.0322	
25	18	25	M5	18	25	6,0	10,0	6,0	–	18	118,0	22630.0325	

d <sub>1</sub> g6	d <sub>2</sub> n6	d <sub>3</sub> -0,01 -0,05	d <sub>4</sub>	Dimensiones						t	r	b	Alojamiento D <sub>1</sub> H7 [mm]	 [g]	Referencia
				l <sub>1</sub>	l <sub>2</sub>	l <sub>3</sub>	[mm]								
<b>bola completa – croquis 1, Acero inoxidable</b>															
6	4	6	M2,5	4	6	2,0	4,5	1,0	–	–	–	4	1,8	22630.0346	
8	6	8	M3	6	8	2,0	6,0	2,0	–	–	–	6	4,0	22630.0348	
10	7	10	M3	7	10	2,5	6,0	2,5	–	–	–	7	6,7	22630.0350	
12	8	12	M4	8	12	3,0	8,0	3,0	–	–	–	8	11,0	22630.0352	
14	10	14	M4	10	14	3,5	8,0	3,5	–	–	–	10	20,0	22630.0354	
16	12	16	M5	12	16	4,0	10,0	4,0	–	–	–	12	31,0	22630.0356	
20	14	20	M5	14	20	5,0	10,0	5,0	–	–	–	14	58,0	22630.0360	
<b>con bola truncada – croquis 2, Acero para utilajes</b>															
6	4	6	M2,5	4	6	2,0	4,5	1,0	1,70	–	–	4	1,5	22630.0406	
8	6	8	M3	6	8	2,0	6,0	2,0	2,00	–	–	6	3,2	22630.0408	
10	7	10	M3	7	10	2,5	6,0	2,5	2,50	–	–	7	5,3	22630.0410	
12	8	12	M4	8	12	3,0	8,0	3,0	2,50	–	–	8	8,0	22630.0412	
14	10	14	M4	10	14	3,5	8,0	3,5	3,76	–	–	10	16,0	22630.0414	
16	12	16	M5	12	16	4,0	10,0	4,0	4,30	–	–	12	25,0	22630.0416	
20	14	20	M5	14	20	5,0	10,0	5,0	5,00	–	–	14	46,0	22630.0420	
22	16	22	M5	16	22	5,5	10,0	5,5	5,00	–	–	16	63,0	22630.0422	
25	18	25	M5	18	25	6,0	10,0	6,0	5,60	–	–	18	92,0	22630.0425	
<b>con bola truncada – croquis 2, Acero inoxidable</b>															
6	4	6	M2,5	4	6	2,0	4,5	1,0	1,70	–	–	4	1,5	22630.0446	
8	6	8	M3	6	8	2,0	6,0	2,0	2,00	–	–	6	3,2	22630.0448	
10	7	10	M3	7	10	2,5	6,0	2,5	2,50	–	–	7	5,3	22630.0450	
12	8	12	M4	8	12	3,0	8,0	3,0	2,50	–	–	8	8,0	22630.0452	
14	10	14	M4	10	14	3,5	8,0	3,5	3,76	–	–	10	16,0	22630.0454	
16	12	16	M5	12	16	4,0	10,0	4,0	4,30	–	–	12	25,0	22630.0456	
20	14	20	M5	14	20	5,0	10,0	5,0	5,00	–	–	14	46,0	22630.0460	
<b>bola lisa, no escalonada – croquis 3, Acero para utilajes</b>															
5	5	5	M2,5	6	5	2,0	4,5	1,0	–	–	–	5	2,4	22630.0505	
6	6	6	M3	8	6	2,0	5,0	1,0	–	–	–	6	2,9	22630.0506	
8	8	8	M3	10	8	2,0	6,0	2,0	–	–	–	8	6,0	22630.0508	
10	10	10	M3	13	10	2,5	6,0	2,5	–	–	–	10	12,0	22630.0510	
12	12	12	M4	15	12	3,0	8,0	3,0	–	–	–	12	21,0	22630.0512	
14	14	14	M4	17	14	3,5	8,0	3,5	–	–	–	14	34,0	22630.0514	
16	16	16	M5	20	16	4,0	10,0	4,0	–	–	–	16	51,0	22630.0516	
20	20	20	M5	25	20	5,0	10,0	5,0	–	–	–	20	101,0	22630.0520	
25	25	25	M5	25	25	6,0	10,0	6,0	–	–	–	25	176,0	22630.0525	
30	30	30	M6	30	30	8,0	12,0	8,0	–	–	–	30	307,0	22630.0530	
40	40	40	M6	40	40	10,0	12,0	10,0	–	–	–	40	729,0	22630.0540	
50	50	50	M6	50	50	12,0	12,0	12,0	–	–	–	50	1422,0	22630.0550	
<b>bola lisa, no escalonada – croquis 3, Acero inoxidable</b>															
5	5	5	M2,5	6	5	2,0	4,5	1,0	–	–	–	5	1,8	22630.0565	
6	6	6	M3	8	6	2,0	5,0	1,0	–	–	–	6	3,4	22630.0566	
8	8	8	M3	10	8	2,0	6,0	2,0	–	–	–	8	6,0	22630.0568	
10	10	10	M3	13	10	2,5	6,0	2,5	–	–	–	10	12,0	22630.0570	
12	12	12	M4	15	12	3,0	8,0	3,0	–	–	–	12	21,0	22630.0572	
14	14	14	M4	17	14	3,5	8,0	3,5	–	–	–	14	34,0	22630.0574	
16	16	16	M5	20	16	4,0	10,0	4,0	–	–	–	16	51,0	22630.0576	
20	20	20	M5	25	20	5,0	10,0	5,0	–	–	–	20	101,0	22630.0580	
<b>bola truncada, no escalonada – croquis 4, Acero para utilajes</b>															
5	5	5	M2,5	6	5	2,0	4,5	1,0	1,50	–	–	5	1,2	22630.0605	
6	6	6	M3	8	6	2,0	5,0	1,0	1,80	–	–	6	3,1	22630.0606	
8	8	8	M3	10	8	2,0	6,0	2,0	1,90	–	–	8	5,0	22630.0608	
10	10	10	M3	13	10	2,5	6,0	2,5	2,50	–	–	10	11,0	22630.0610	
12	12	12	M4	15	12	3,0	8,0	3,0	2,50	–	–	12	17,0	22630.0612	
14	14	14	M4	17	14	3,5	8,0	3,5	3,90	–	–	14	30,0	22630.0614	
16	16	16	M5	20	16	4,0	10,0	4,0	4,30	–	–	16	44,0	22630.0616	
20	20	20	M5	25	20	5,0	10,0	5,0	5,00	–	–	20	88,0	22630.0620	

d <sub>1</sub> g6	d <sub>2</sub> n6	d <sub>3</sub> -0,01 -0,05	d <sub>4</sub>	Dimensiones						Alojamiento D <sub>1</sub> H7	[g]	Referencia
				l <sub>1</sub>	l <sub>2</sub>	l <sub>3</sub>	t	r	b			
[mm]										[mm]		
25	25	25	M5	25	25	6,0	10,0	6,0	5,60	25	149,0	22630.0625
30	30	30	M6	30	30	8,0	12,0	8,0	8,80	30	270,0	22630.0630
40	40	40	M6	40	40	10,0	12,0	10,0	12,80	40	657,0	22630.0640
50	50	50	M6	50	50	12,0	12,0	12,0	16,70	50	1243,0	22630.0650
<b>bola truncada, no escalonada – croquis 4, Acero inoxidable</b>												
5	5	5	M2,5	6	5	2,0	4,5	1,0	1,50	5	1,1	22630.0665
6	6	6	M3	8	6	2,0	5,0	1,0	1,80	6	2,3	22630.0666
8	8	8	M3	10	8	2,0	6,0	2,0	1,90	8	5,0	22630.0668
10	10	10	M3	13	10	2,5	6,0	2,5	2,50	10	11,0	22630.0670
12	12	12	M4	15	12	3,0	8,0	3,0	2,50	12	17,0	22630.0672
14	14	14	M4	17	14	3,5	8,0	3,5	3,90	14	30,0	22630.0674
16	16	16	M5	20	16	4,0	10,0	4,0	4,30	16	44,0	22630.0676
20	20	20	M5	25	20	5,0	10,0	5,0	5,00	20	88,0	22630.0680

### Ejemplo de aplicación



### Cumplimiento

#### Cumple con RoHS

Cumple con la Directiva 2011/65/UE y la Directiva 2015/863.

#### No contiene sustancias SVHC

Ninguna sustancia SVHC con más del 0,1% p/p contenida - Lista SVHC [REACH] desde 27.06.2024.

#### No contiene sustancias de la Proposición 65

No se incluyen sustancias de la Propuesta 65.

<https://www.P65Warnings.ca.gov/>

#### Libre de Materiales Conflictivos

Este producto no contiene ninguna sustancia designada como "minerales en conflicto" como tantalio, estaño, oro o tungsteno de la República Democrática del Congo o países adyacentes.