

Hinges • long version  
EH 25165.



**Product Description**

The different versions cover many applications that require a low load. These metal hinges are characterised by their simple design and the different versions:

- without bores
- with bores
- with bores for countersunk screws

The version without bores can be assembled by welding or by inserting a specific drilling pattern.

**Material**

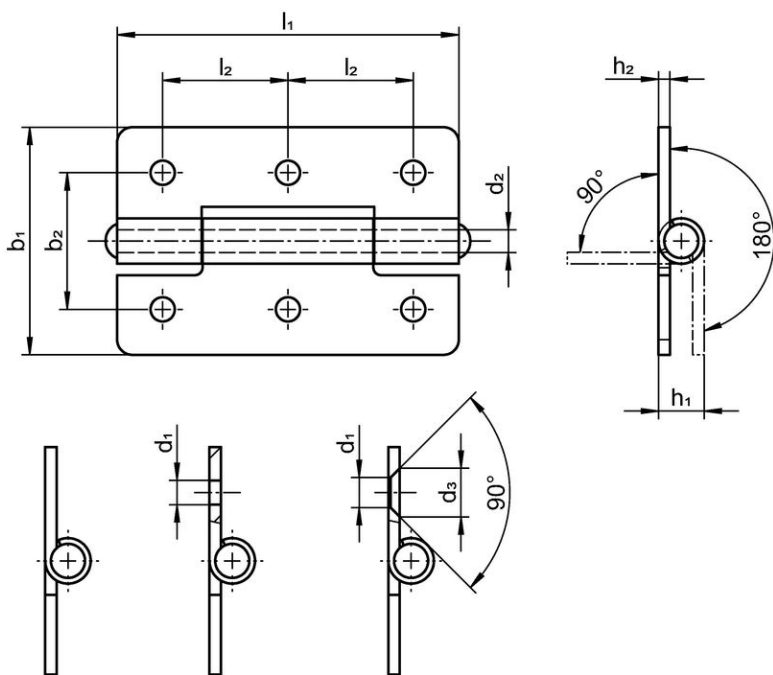
**Body**

- Stainless steel 1.4301
- Steel, zinc-plated by galvanization, passivated

**Axis**

- Stainless steel 1.4301

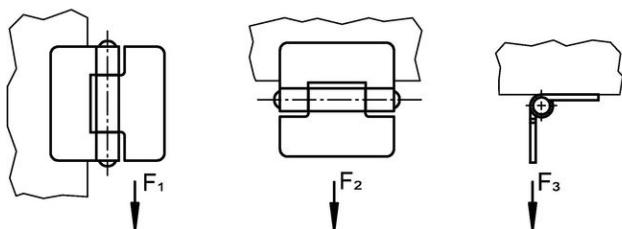
**Drawing**




picture 1

picture 2

picture 3



## Order information

b <sub>1</sub>	l <sub>1</sub>	b <sub>2</sub>	Dimensions						Holding force				Art. No.	
			d <sub>1</sub>	d <sub>2</sub>	d <sub>3</sub>	h <sub>1</sub>	h <sub>2</sub>	l <sub>2</sub>	F <sub>1</sub>	F <sub>2</sub>	F <sub>3</sub>			
[mm]									[N]			[g]		
<b>without bores – picture 1, Stainless steel</b>														
30	45	–	–	3	–	6	1.5	–	1300	750	700	22	<a href="#">25165.0020</a>	
40	60	–	–	4	–	8	2.0	–	2400	1500	1300	52	<a href="#">25165.0030</a>	
50	75	–	–	6	–	10	2.0	–	2500	2250	1300	93	<a href="#">25165.0045</a>	
60	90	–	–	6	–	10	2.0	–	3000	3000	1200	122	<a href="#">25165.0065</a>	
<b>with bores – picture 2, Stainless steel</b>														
30	45	18	3.2	3	–	6	1.5	16.5	1300	750	700	21	<a href="#">25165.0120</a>	
40	60	25	4.2	4	–	8	2.0	22.5	2400	1500	1300	51	<a href="#">25165.0130</a>	
50	75	30	5.2	6	–	10	2.0	27.5	2500	2250	1300	90	<a href="#">25165.0145</a>	
60	90	36	5.2	6	–	10	2.0	33.0	3000	3000	1200	121	<a href="#">25165.0165</a>	
<b>with bores – picture 2, Steel</b>														
30	45	18	3.2	3	–	6	1.5	16.5	1300	750	700	21	<a href="#">25165.1020</a>	
40	60	25	4.2	4	–	8	2.0	22.5	2400	1500	1300	51	<a href="#">25165.1030</a>	
50	75	30	5.2	6	–	10	2.0	27.5	2500	2250	1300	90	<a href="#">25165.1045</a>	
60	90	36	5.2	6	–	10	2.0	33.0	3000	3000	1200	121	<a href="#">25165.1065</a>	
<b>with bores for countersunk screws – picture 3, Stainless steel</b>														
30	45	18	4.0	3	6.4	6	1.5	16.5	1300	750	700	21	<a href="#">25165.0220</a>	
40	60	25	5.0	4	8.3	8	2.0	22.5	2400	1500	1300	51	<a href="#">25165.0230</a>	
50	75	30	5.0	6	8.3	10	2.0	27.5	2500	2250	1300	90	<a href="#">25165.0245</a>	
60	90	36	5.0	6	8.3	10	2.0	33.0	3000	3000	1200	121	<a href="#">25165.0265</a>	
<b>with bores for countersunk screws – picture 3, Steel</b>														
30	45	18	4.0	3	6.4	6	1.5	16.5	1300	750	700	21	<a href="#">25165.2020</a>	
40	60	25	5.0	4	8.3	8	2.0	22.5	2400	1500	1300	51	<a href="#">25165.2030</a>	
50	75	30	5.0	6	8.3	10	2.0	27.5	2500	2250	1300	90	<a href="#">25165.2045</a>	
60	90	36	5.0	6	8.3	10	2.0	33.0	3000	3000	1200	121	<a href="#">25165.2065</a>	

## Compliance

## RoHS compliant

Compliant according to Directive 2011/65/EU and Directive 2015/863.

## Does not contain SVHC substances

No SVHC substances with more than 0.1% w/w contained - SVHC list [REACH] as of 27.06.2024.

## Does not contain Proposition 65 substances

No Proposition 65 substances included.

<https://www.P65Warnings.ca.gov/>

## Free from Conflict Minerals

This product does not contain any substances designated as "conflict minerals" such as tantalum, tin, gold or tungsten from the Democratic Republic of Congo or adjacent countries.