

Quick Plug Couplings • with radial offset compensation and screwed flange

EH 25100.



Product Description

Quick plug coupling with radial offset compensation requiring only little space. Suitable for multiple applications, e.g. as a link between a piston rod and a linear-movement unit.

Material

Flange

- Heat-treated steel, tempered, phosphated

Coupling part

- Heat-treated steel, tempered, phosphated

Lock nut

- Steel, black (ISO 4035/8675)

Assembly

Assembly and disassembly of this simple, solid and two-part coupling is by means of a T-slot; a manual re-adjustment is not necessary. The quick plug coupling can be linked to all commonly used pneumatic and hydraulic lifting cylinders via the connecting thread.

More information

Notes

The quick plug coupling does not transmit any torque.

Drawing

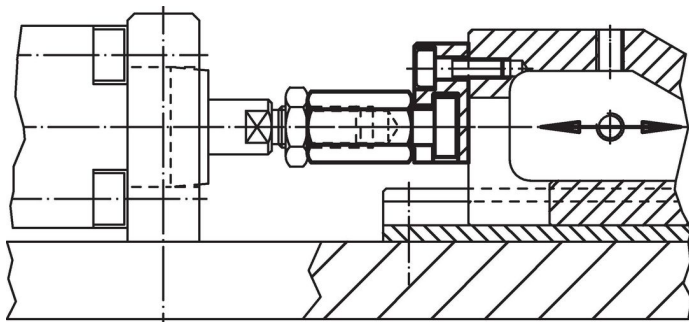


Order information

d ₁	d ₂	d ₃	d ₄	d ₅	Dimensions								WS	Radial offset compensation x max.	Maximum tensile and compressive load max.	Art. No.	
					l ₁	l ₂ min.	l ₃	l ₄	l ₅	l ₆	l ₇	t					
[mm]													[mm]	[mm]	[kN]	[g]	
with coupling screw – picture 1																	
M 6	42	–	5.5	10	30.5	11.0	14	3.0	11.0	7.0	14.0	5.4	10	0.6	2.5	75	25100.0206
M 8	48	–	6.6	11	35.5	13.5	17	3.0	13.0	8.0	16.0	6.4	13	0.7	4.5	118	25100.0208
M10	50	–	6.6	11	43.2	16.0	20	4.2	16.0	9.0	17.0	6.4	17	0.7	6.5	175	25100.0210
M12	55	–	6.6	11	53.2	21.0	25	4.2	20.5	10.0	19.0	6.4	19	0.8	10.0	279	25100.0212
M16	65	–	9.0	15	64.0	25.0	30	5.0	23.0	12.5	22.5	8.5	24	1.0	18.0	455	25100.0216
M20	80	–	11.0	18	74.0	29.0	35	5.0	26.0	17.0	28.0	10.0	30	1.0	30.0	810	25100.0220
M10 x 1,25	50	–	6.6	11	43.2	16.0	20	4.2	16.0	9.0	17.0	6.4	17	0.7	6.5	176	25100.0230
M12 x 1,25	55	–	6.6	11	53.2	21.0	25	4.2	20.5	10.0	19.0	6.4	19	0.8	10.0	280	25100.0232
M16 x 1,5	65	–	9.0	15	64.0	25.0	30	5.0	23.0	12.5	22.5	8.5	24	1.0	18.0	454	25100.0236
M20 x 1,5	80	–	11.0	18	74.0	29.0	35	5.0	26.0	17.0	28.0	10.0	30	1.0	30.0	812	25100.0240
with coupling nut – picture 2																	
M 6	42	11.0	5.5	10	30.5	11.0	–	3.0	11.0	7.0	14.0	5.4	10	0.6	2.5	77	25100.0256
M 8	48	14.4	6.6	11	35.5	13.5	–	3.0	13.0	8.0	16.0	6.4	13	0.7	4.5	123	25100.0258
M10	50	19.0	6.6	11	43.2	15.0	–	4.2	16.0	9.0	17.0	6.4	17	0.7	6.5	187	25100.0260
M12	55	21.2	6.6	11	53.2	17.5	–	4.2	20.5	10.0	19.0	6.4	19	0.8	10.0	295	25100.0262
M16	65	27.0	9.0	15	64.0	22.0	–	5.0	23.0	12.5	22.5	8.5	24	1.0	18.0	471	25100.0266
M20	80	34.0	11.0	18	74.0	25.0	–	5.0	26.0	17.0	28.0	10.0	30	1.0	30.0	850	25100.0270

d ₁	d ₂	d ₃	d ₄	d ₅	Dimensions							WS	Radial offset compensation x max.	Maximum tensile and compressive load max.	Art. No.		
					l ₁ ~	l ₂ min.	l ₃	l ₄	l ₅	l ₆	l ₇					t	
[mm]													[mm]	[mm]	[kN]	[g]	
M10 x 1,25	50	19.0	6.6	11	43.2	15.0	-	4.2	16.0	9.0	17.0	6.4	17	0.7	6.5	188	25100.0280
M12 x 1,25	55	21.2	6.6	11	53.2	17.5	-	4.2	20.5	10.0	19.0	6.4	19	0.8	10.0	294	25100.0282
M16 x 1,5	65	27.0	9.0	15	64.0	22.0	-	5.0	23.0	12.5	22.5	8.5	24	1.0	18.0	471	25100.0286
M20 x 1,5	80	34.0	11.0	18	74.0	25.0	-	5.0	26.0	17.0	28.0	10.0	30	1.0	30.0	836	25100.0290

Application example



Compliance

RoHS compliant

Compliant according to Directive 2011/65/EU and Directive 2015/863.

Does not contain SVHC substances

No SVHC substances with more than 0.1% w/w contained - SVHC list [REACH] as of 27.06.2024.

Does not contain Proposition 65 substances

No Proposition 65 substances included.

<https://www.P65Warnings.ca.gov/>

Free from Conflict Minerals

This product does not contain any substances designated as "conflict minerals" such as tantalum, tin, gold or tungsten from the Democratic Republic of Congo or adjacent countries.