

High Knurled Nuts • DIN 466

EH 24780.



Product Description

Knurled nuts are very versatile. Three material versions for the different requirements

- Steel, blackened
- Steel, zinc-plated by galvanization
- Stainless steel

are available.

Knurled nuts can be easily tightened and released by hand. The ribbed outer surface of the nut prevents slipping when tightening / releasing with the fingers.

The high knurled nuts are manufactured according to DIN 467.

Material

- Steel, blackened, quality 5
- Steel, zinc-plated by galvanization, quality 5
- Stainless steel 1.4305, dull blasted

More information

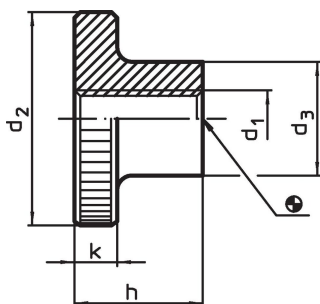
Notes

Knurling pitch and knurling depth may differ from DIN.

Further products

- Flat Knurled Nuts, DIN 467

Drawing



Order information

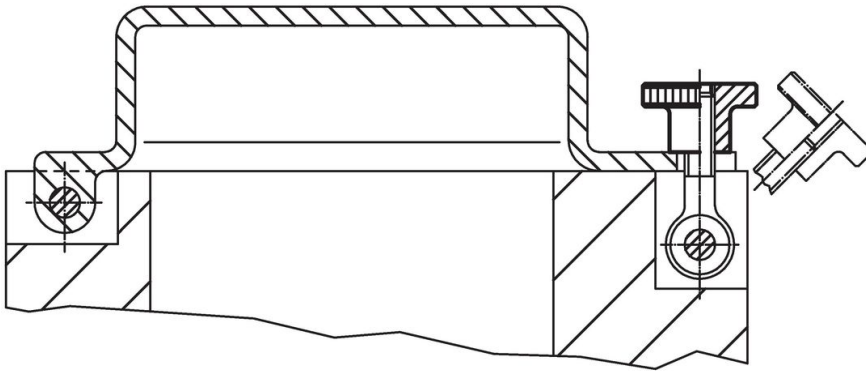
d ₁	d ₂	Dimensions			k	[g]	Art. No.
		d ₃	h	[mm]			
Steel, blackened							
M 3	12	6	7.5	2.5	2.9	24780.0030	
M 4	16	8	9.5	3.5	6.7	24780.0040	
M 5	20	10	11.5	4.0	12.0	24780.0050	
M 6	24	12	15.0	5.0	23.0	24780.0060	
M 8	30	16	18.0	6.0	44.0	24780.0080	
M10	36	20	23.0	8.0	85.0	24780.0100	
M12	40	22	25.0	10.0	119.0	24780.0120 ¹⁾	
Steel, zinc-plated by galvanization							
M 3	12	6	7.5	2.5	3.0	24780.0330	
M 4	16	8	9.5	3.5	7.0	24780.0340	
M 5	20	10	11.5	4.0	12.0	24780.0350	
M 6	24	12	15.0	5.0	22.0	24780.0360	
M 8	30	16	18.0	6.0	42.0	24780.0380	
M10	36	20	23.0	8.0	84.0	24780.0400	
M12	40	22	25.0	10.0	119.0	24780.0412 ¹⁾	

¹⁾ DIN standards do not include these dimensions.

d ₁	d ₂	Dimensions			k	[g]	Art. No.
		d ₃	h	[mm]			
Stainless steel 1.4305							
M 4	16	8	9.5	3.5	6.7	24780.0240	
M 5	20	10	11.5	4.0	12.0	24780.0250	
M 6	24	12	15.0	5.0	23.0	24780.0260	
M 8	30	16	18.0	6.0	44.0	24780.0280	
M10	36	20	23.0	8.0	85.0	24780.0300	

¹⁾ DIN standards do not include these dimensions.

Application example



Compliance

For detailed compliance information please select the desired article number.