

Palm Grips • DIN 6335 stainless steel, die-cast  
EH 24631.



Product Description

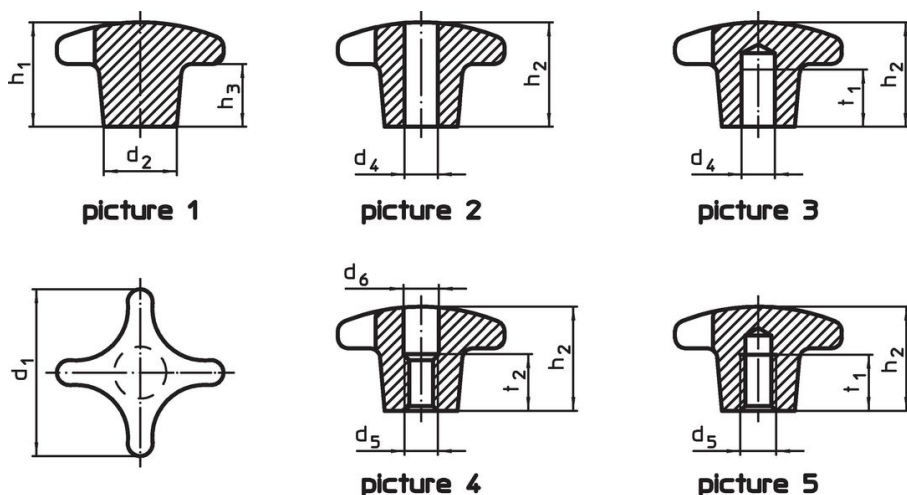
These palm grips are manufactured according to DIN 6335.

Material

Handle

- Stainless steel A2, dull blasted

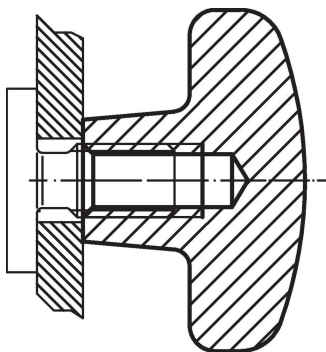
Drawing



Order information

d <sub>1</sub>	d <sub>2</sub>	d <sub>5</sub>	d <sub>6</sub>	Dimensions						[g]	Art. No.
				h <sub>1</sub>	h <sub>2</sub>	h <sub>3</sub>	t <sub>1</sub> min.	t <sub>2</sub>			
[mm]											
<b>raw part, form A – picture 1</b>											
32	12	–	–	21	–	10	–	–	–	41	24631.0032
40	14	–	–	26	–	14	–	–	–	70	24631.0040
50	18	–	–	34	–	20	–	–	–	128	24631.0050
63	20	–	–	42	–	25	–	–	–	227	24631.0063
<b>with thread, drilled out, form D – picture 4</b>											
32	12	M 6	6.4	–	20	–	–	–	10	36	24631.0332
40	14	M 8	8.4	–	25	–	–	–	13	60	24631.0340
50	18	M10	10.5	–	32	–	–	–	16	100	24631.0350
63	20	M12	13.0	–	40	–	–	–	20	186	24631.0363
<b>with threaded blind hole, form E – picture 5</b>											
32	12	M 6	–	–	20	–	12	–	–	38	24631.0432
40	14	M 8	–	–	25	–	15	–	–	70	24631.0440
50	18	M10	–	–	32	–	18	–	–	114	24631.0450
63	20	M12	–	–	40	–	22	–	–	205	24631.0463

## Application example



## Compliance

### RoHS compliant

Compliant according to Directive 2011/65/EU and Directive 2015/863.

### Does not contain SVHC substances

No SVHC substances with more than 0.1% w/w contained - SVHC list [REACH] as of 27.06.2024.

### Does not contain Proposition 65 substances

No Proposition 65 substances included.

<https://www.P65Warnings.ca.gov/>

### Free from Conflict Minerals

This product does not contain any substances designated as "conflict minerals" such as tantalum, tin, gold or tungsten from the Democratic Republic of Congo or adjacent countries.