

Tapered Levers • DIN 99  
EH 24470.

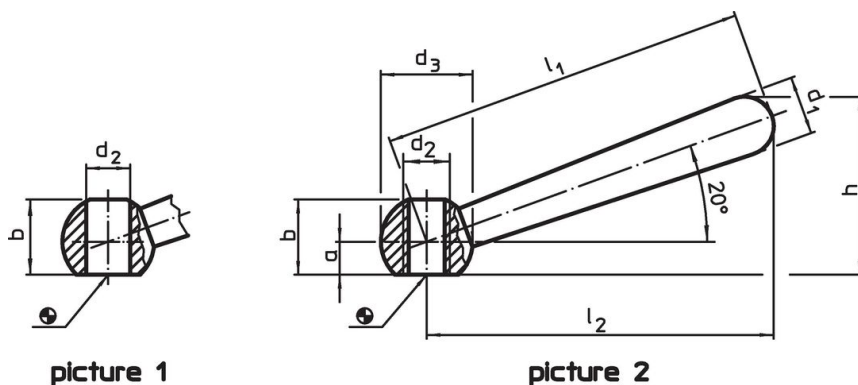


Product Description

Material

- Steel, blackened
- Stainless steel 1.4305, dull blasted

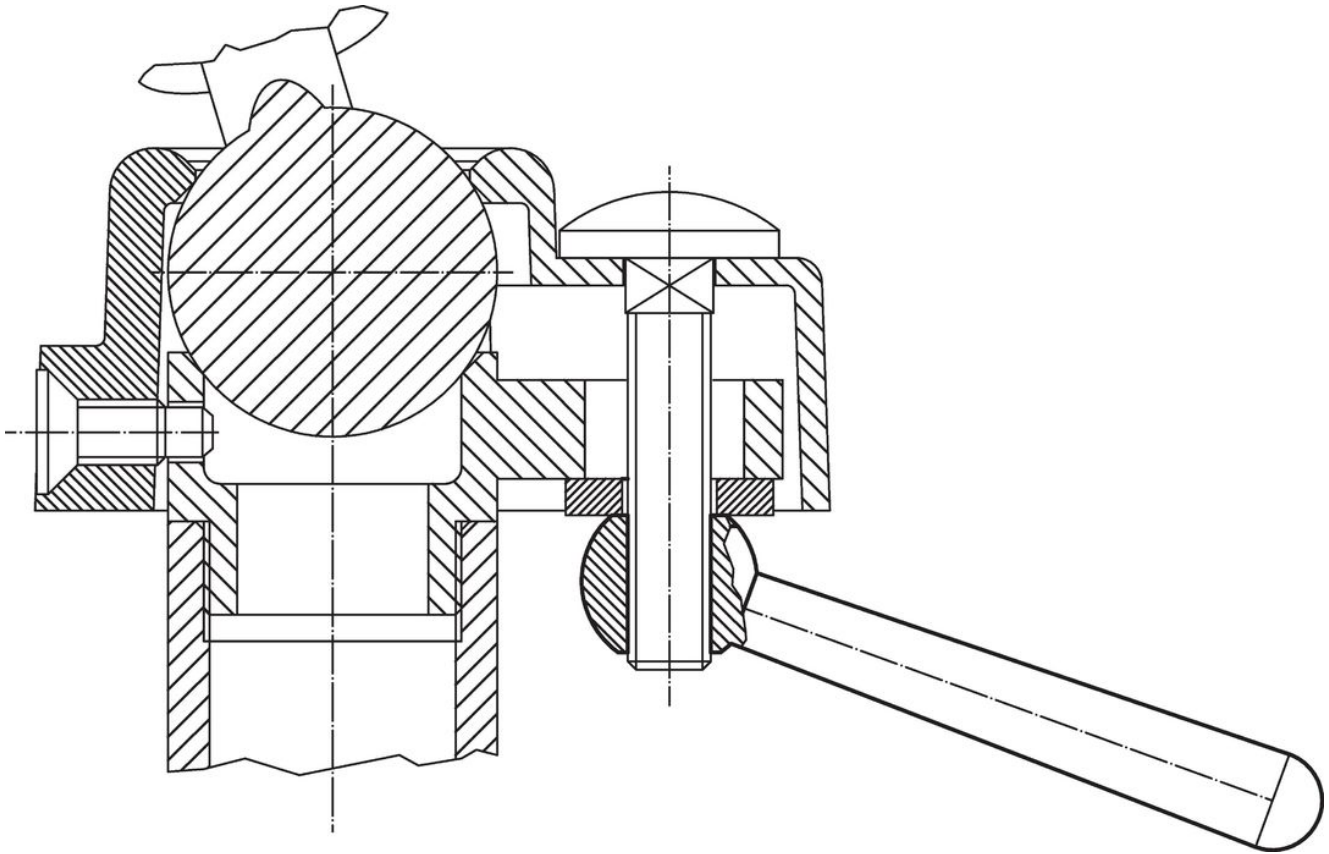
Drawing



Order information

| l <sub>1</sub>  | l <sub>2</sub><br>~ | a    | Dimensions     |                |                |                |      | h<br>~ | [g]        | Art. No. |
|---|---------------------|------|----------------|----------------|----------------|----------------|------|--------|------------|----------|
|   |                     |      | b<br>~<br>[mm] | d <sub>1</sub> | d <sub>2</sub> | d <sub>3</sub> |      |        |            |          |
| <b>slanted, with smooth bore, form L – picture 1, Steel</b>           |                     |      |                |                |                |                |      |        |            |          |
| 50  | 48                  | 4.0  | 9.5            | 8              | 6H7            | 12             | 24.0 | 16     | 24470.0105 |          |
| 63  | 60                  | 5.0  | 12.0           | 10             | 8H7            | 16             | 30.5 | 37     | 24470.0106 |          |
| 80  | 76                  | 6.0  | 14.5           | 13             | 10H7           | 20             | 38.0 | 73     | 24470.0108 |          |
| 100   | 95                  | 7.5  | 18.5           | 16             | 12H7           | 25             | 47.0 | 140    | 24470.0110 |          |
| 125   | 119                 | 10.0 | 24.0           | 20             | 16H7           | 32             | 59.5 | 282    | 24470.0112 |          |
| 160   | 152                 | 12.5 | 30.0           | 25             | 20H7           | 40             | 75.7 | 553    | 24470.0116 |          |
| 200   | 190                 | 18.0 | 40.0           | 32             | 24H7           | 50             | 97.0 | 1096   | 24470.0120 |          |
| <b>slanted, with thread, form N – picture 2, Steel</b>                |                     |      |                |                |                |                |      |        |            |          |
| 50  | 48                  | 4.0  | 9.5            | 8              | M 6            | 12             | 24.0 | 17     | 24470.0305 |          |
| 63  | 60                  | 5.0  | 12.5           | 10             | M 8            | 16             | 30.5 | 38     | 24470.0306 |          |
| 80  | 76                  | 6.0  | 15.0           | 13             | M10            | 20             | 38.0 | 74     | 24470.0308 |          |
| 100   | 95                  | 7.5  | 19.0           | 16             | M12            | 25             | 47.0 | 142    | 24470.0310 |          |
| 125   | 119                 | 10.0 | 25.0           | 20             | M16            | 32             | 59.5 | 297    | 24470.0312 |          |
| 160   | 152                 | 12.5 | 31.0           | 25             | M20            | 40             | 75.7 | 574    | 24470.0316 |          |
| 200   | 190                 | 18.0 | 41.0           | 32             | M24            | 50             | 97.0 | 1140   | 24470.0320 |          |
| <b>slanted, with smooth bore, form L – picture 1, Stainless steel</b> |                     |      |                |                |                |                |      |        |            |          |
| 63  | 60                  | 5.0  | 12.0           | 10             | 8H7            | 16             | 30.5 | 37     | 24470.0206 |          |
| 80  | 76                  | 6.0  | 14.5           | 13             | 10H7           | 20             | 38.0 | 73     | 24470.0208 |          |
| 100   | 95                  | 7.5  | 18.5           | 16             | 12H7           | 25             | 47.0 | 140    | 24470.0210 |          |
| <b>slanted, with thread, form N – picture 2, Stainless steel</b>      |                     |      |                |                |                |                |      |        |            |          |
| 50  | 48                  | 4.0  | 9.5            | 8              | M 6            | 12             | 24.0 | 17     | 24470.0405 |          |
| 63  | 60                  | 5.0  | 12.5           | 10             | M 8            | 16             | 30.5 | 38     | 24470.0406 |          |
| 80  | 76                  | 6.0  | 15.0           | 13             | M10            | 20             | 38.0 | 74     | 24470.0408 |          |
| 100   | 95                  | 7.5  | 19.0           | 16             | M12            | 25             | 47.0 | 142    | 24470.0410 |          |
| 125   | 119                 | 10.0 | 25.0           | 20             | M16            | 32             | 59.5 | 297    | 24470.0412 |          |

Application example



Compliance

For detailed compliance information please select the desired article number.