

Adjustable Flat Tension Levers • Stainless steel

EH 24441.



Product Description

Adjustable flat tension levers are used when the swivel range is limited or a specific lever position is required.

Adjustable flat tension levers are characterised by their low construction height and are particularly suitable for use in restricted spaces or when the lever should not overhang..

Material

Lever

- Zinc die-cast, plastic coated, black, similar to RAL 9005, matt structure
- Zinc die-cast, plastic coated, silver, similar to RAL 9006, matt structure

Inner parts

- Stainless steel 1.4305

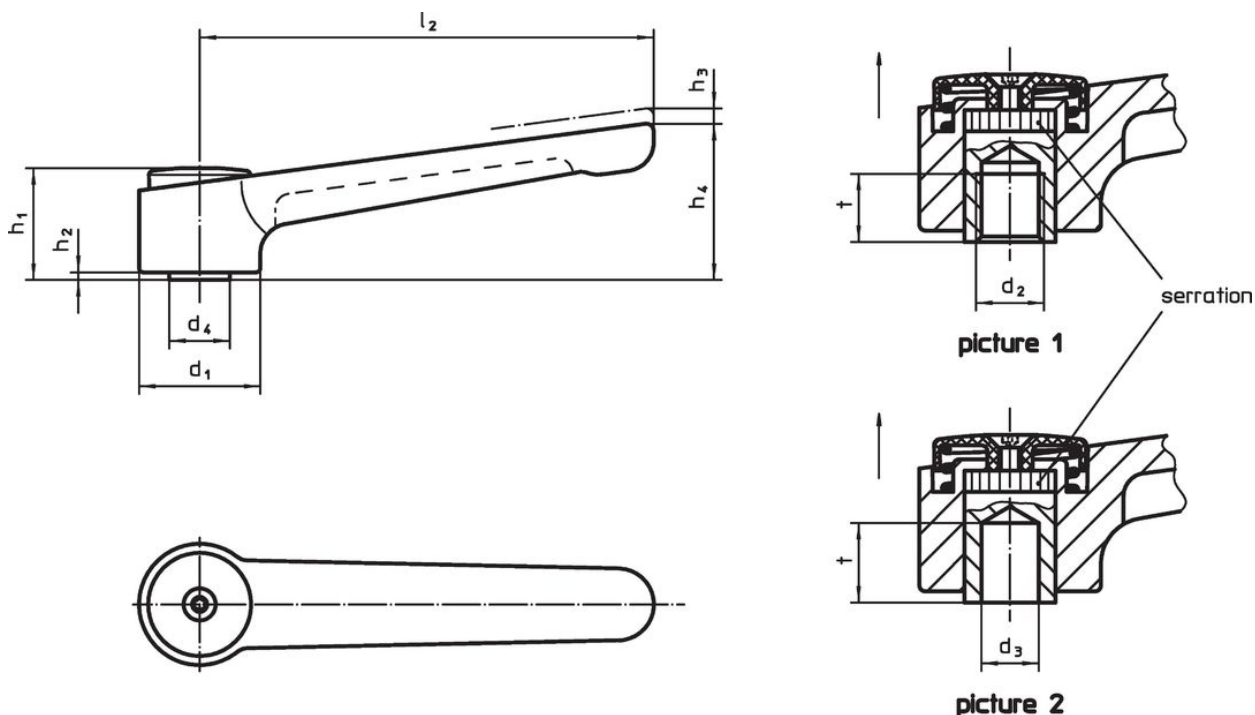
Covering

- Plastic, black
- Plastic, light grey

Operation



By lifting the lever the serrations are disengaged. The lever can be positioned by the serrations. On releasing the lever, the serrations are automatically re-engaged.

Drawing



Order information

Dimensions														Art. No.
d ₁	d ₂	d ₃ H7	d ₄	h ₁	h ₂	h ₃	h ₄	l ₂	t min.	min.	max.	[g]		
[mm]													[°C]	
with female thread – picture 1, black														
32	M 8	–	16	29.5	2	2.5	41.5	120	14	-30	80	192	24441.0205	
32	M10	–	16	29.5	2	2.5	41.5	120	14	-30	80	183	24441.0210	
32	M12	–	16	29.5	2	2.5	41.5	120	14	-30	80	181	24441.0215	
40	M12	–	23	42.0	4	4.0	56.0	145	22	-30	80	403	24441.0220	
40	M16	–	23	42.0	4	4.0	56.0	145	22	-30	80	381	24441.0225	

Dimensions											 min. max. [°C]		 [g]	Art. No.
d ₁	d ₂	d ₃ H7	d ₄	h ₁	h ₂	h ₃	h ₄	l ₂	t min.					
[mm]														
with female thread – picture 1, silver														
32	M 8	–	16	29.5	2	2.5	41.5	120	14	-30	80	192	24441.0305	
32	M10	–	16	29.5	2	2.5	41.5	120	14	-30	80	183	24441.0310	
32	M12	–	16	29.5	2	2.5	41.5	120	14	-30	80	181	24441.0315	
40	M12	–	23	42.0	4	4.0	56.0	145	22	-30	80	403	24441.0320	
40	M16	–	23	42.0	4	4.0	56.0	145	22	-30	80	381	24441.0325	
with smooth bore – picture 2, black														
32	–	8	16	29.5	2	2.5	41.5	120	14	-30	80	188	24441.0250	
32	–	10	16	29.5	2	2.5	41.5	120	14	-30	80	181	24441.0255	
40	–	12	23	42.0	4	4.0	56.0	145	22	-30	80	395	24441.0260	
40	–	16	23	42.0	4	4.0	56.0	145	22	-30	80	380	24441.0265	
with smooth bore – picture 2, silver														
32	–	8	16	29.5	2	2.5	41.5	120	14	-30	80	188	24441.0350	
32	–	10	16	29.5	2	2.5	41.5	120	14	-30	80	181	24441.0355	
40	–	12	23	42.0	4	4.0	56.0	145	22	-30	80	395	24441.0360	
40	–	16	23	42.0	4	4.0	56.0	145	22	-30	80	380	24441.0365	

Compliance

RoHS compliant

Compliant according to Directive 2011/65/EU and Directive 2015/863.

Does not contain SVHC substances

No SVHC substances with more than 0.1% w/w contained - SVHC list [REACH] as of 27.06.2024.

Does not contain Proposition 65 substances

No Proposition 65 substances included.

<https://www.P65Warnings.ca.gov/>

Free from Conflict Minerals

This product does not contain any substances designated as "conflict minerals" such as tantalum, tin, gold or tungsten from the Democratic Republic of Congo or adjacent countries.