

## Adjustable Clamping Levers · with axial bearing, with female thread

EH 24420.



### Product Description

Adjustable clamping levers find versatile applications when the area of use is confined or a specific lever position is required.

Advantages of axial bearing:

- Double clamping force with same lever size, by reducing the surface friction.
- Protection of workpiece by a fixed locating surface.
- Little setting due to higher pre-clamping force of bolt, e.g. thread.

### Material

#### Lever

- Zinc die-cast, plastic coated, orange similar to RAL 2004, matt structure
- Zinc die-cast, plastic coated, black, similar to RAL 9005, matt structure

#### Threaded part

- Steel, nitrided, blackened

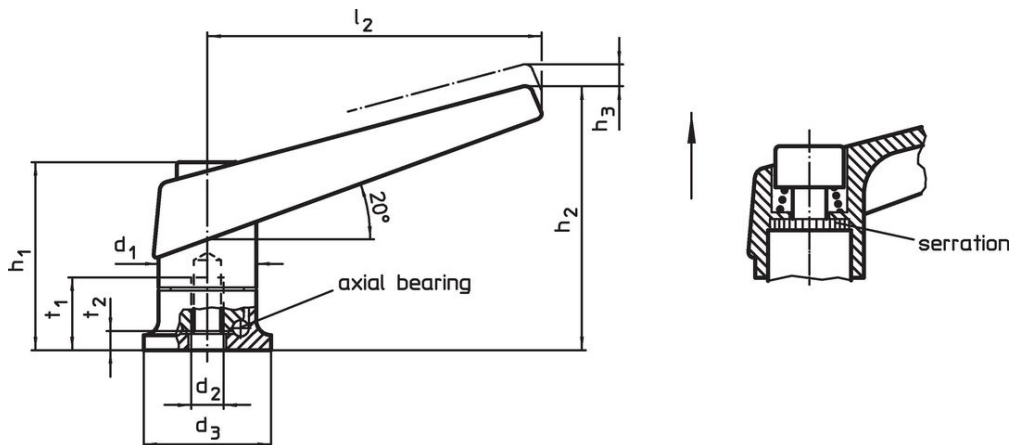
#### Inner parts

- Steel, nitrided, blackened

### Operation

By lifting the lever the serrations are disengaged. The lever can be positioned by the serrations. On releasing the lever, the serrations are automatically re-engaged.

### Drawing

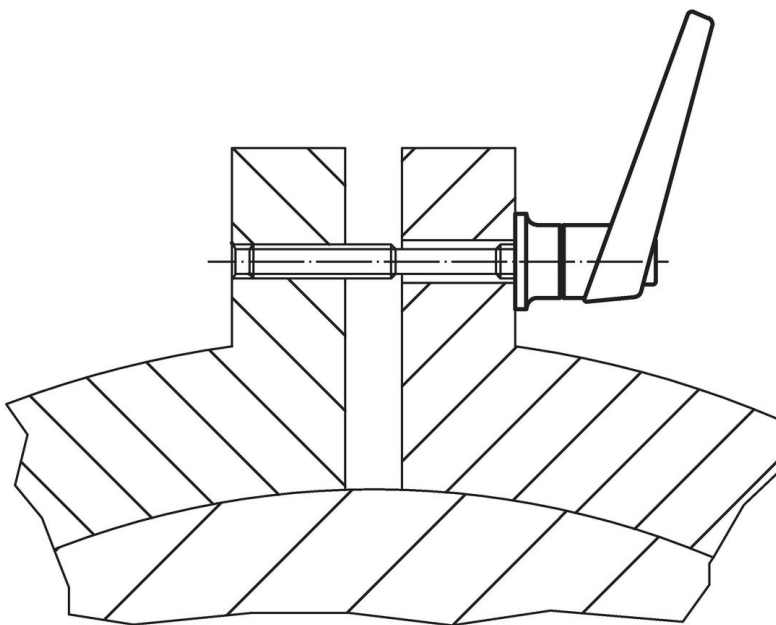


### Order information

d <sub>1</sub>	d <sub>2</sub>	d <sub>3</sub>	h <sub>1</sub>	Dimensions			l <sub>2</sub>	t <sub>1</sub> min.	t <sub>2</sub>	[g]	Art. No.
				h <sub>2</sub>	h <sub>3</sub>	[mm]					
<b>orange</b>											
18	M 6	24	34.5	50	3.0	62	12.5	5.0	91	<a href="#">24420.0010</a>	
22	M 8	25	39.5	56	3.5	74	14.0	4.2	138	<a href="#">24420.0110</a>	
25	M10	30	46.5	66	4.0	89	18.0	5.4	205	<a href="#">24420.0210</a>	
30	M12	35	56.5	82	5.0	108	26.5	6.6	358	<a href="#">24420.0310</a>	
<b>black</b>											
18	M 6	24	34.5	50	3.0	62	12.5	5.0	91	<a href="#">24420.0012</a>	
22	M 8	25	39.5	56	3.5	74	14.0	4.2	138	<a href="#">24420.0112</a>	
25	M10	30	46.5	66	4.0	89	18.0	5.4	205	<a href="#">24420.0212</a>	
30	M12	35	56.5	82	5.0	108	26.5	6.6	358	<a href="#">24420.0312</a>	

Application example

Increase of clamping force with axial bearing  
(while manual force is unchanged)



Compliance

RoHS compliant

Contains lead - compliant according to exceptions 6a / 6b / 6c.

Contains SVHC substances >0,1% w/w

Contains lead - SVHC list [REACH] as of 27.06.2024.

Contains Proposition 65 substances



Lead can cause cancer and reproductive harm from exposure  
<https://www.P65Warnings.ca.gov/>

Free from Conflict Minerals

This product does not contain any substances designated as "conflict minerals" such as tantalum, tin, gold or tungsten from the Democratic Republic of Congo or adjacent countries.