

Fulcrum Pins

EH 23400.



Product Description

Material

Fulcrum Pin

- Stainless steel 1.4021, heat-treated

Safety ring

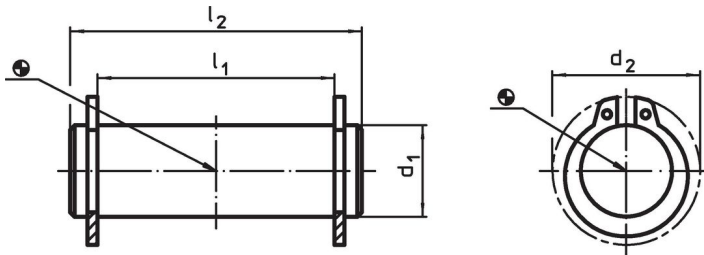
- Stainless steel 1.4310

More information

References

Suitable for eccentric levers EH 23390. and similar applications.

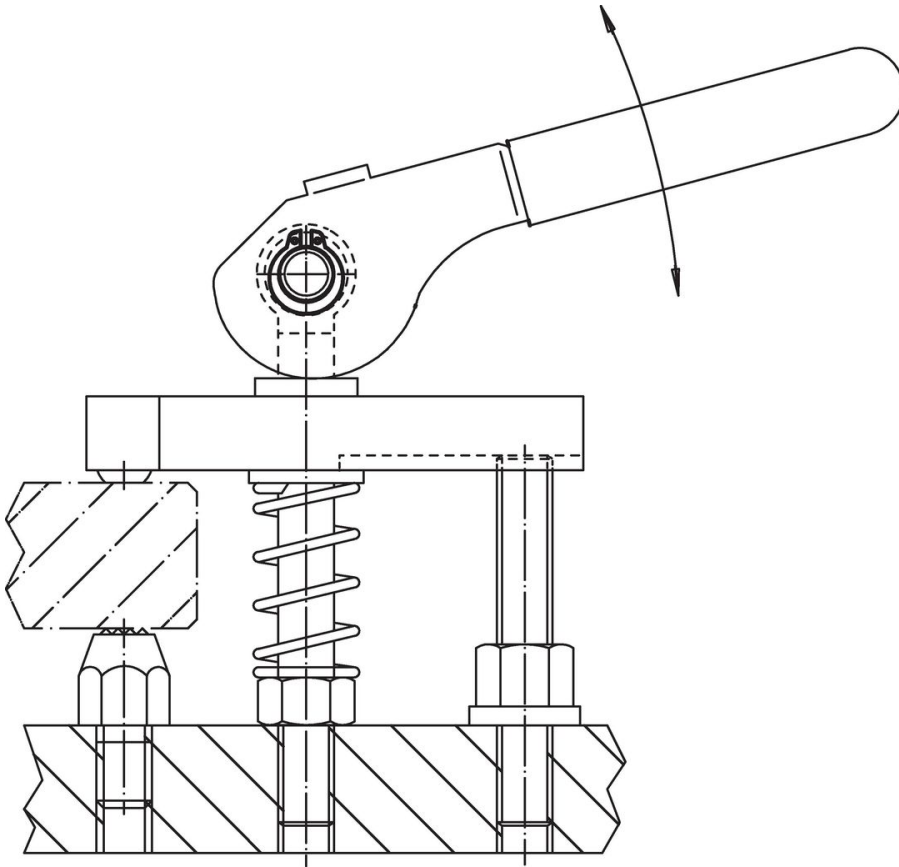
Drawing



Order information

d ₁	l ₁	Dimensions		[g]	Art. No.
		d ₂	l ₂		
f8	-0.5	[mm]			
8	14	14.7	18	9.8	23400.0082
8	21	14.7	27	12.0	23400.0085
10	18	17.0	24	19.0	23400.0102
10	29	17.0	35	21.0	23400.0105
12	21	19.0	27	26.0	23400.0122
12	31	19.0	37	34.0	23400.0125

Application example



Compliance

RoHS compliant

Compliant according to Directive 2011/65/EU and Directive 2015/863.

Does not contain SVHC substances

No SVHC substances with more than 0.1% w/w contained - SVHC list [REACH] as of 27.06.2024.

Does not contain Proposition 65 substances

No Proposition 65 substances included.

<https://www.P65Warnings.ca.gov/>

Free from Conflict Minerals

This product does not contain any substances designated as "conflict minerals" such as tantalum, tin, gold or tungsten from the Democratic Republic of Congo or adjacent countries.