

Clamps · slotted, with adjustable counter piece, with stud

EH 23185.



Product Description

The thrust pad and the counter element are connected with the clamp and therefore secured against loss. Consequently, the clamp is quickly ready for use. The clamp is equipped with two flat noses and can be turned around depending on the case of application.

Material

Screw

- Heat-treated steel

Nut

- Heat-treated steel

Disc

- Heat-treated steel

Clamp

- Steel, tempered, zinc-plated by galvanization

More information

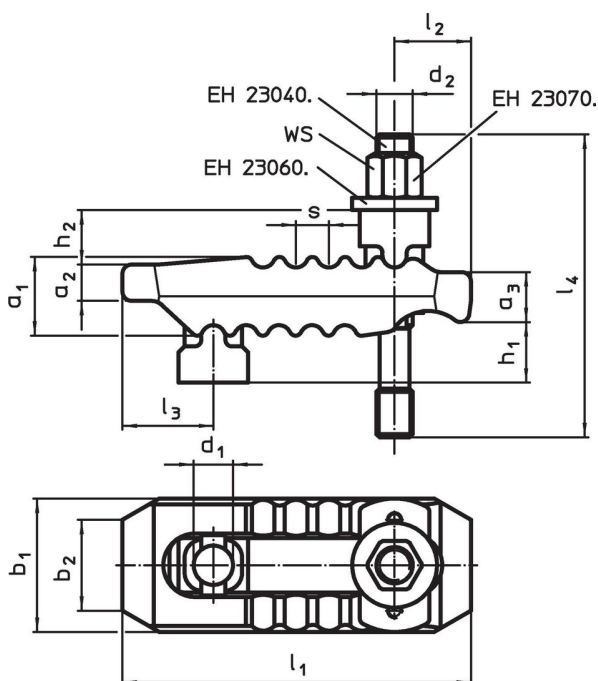
References

Larger clamping heights can be reached by the use of a support extension (EH 23185.).

Further products

- Support Extensions, for straight clamps, slotted, with adjustable counter piece


Drawing



Order information

Nominal dimension d ₁ [mm]	d ₂	l ₄	h ₁	h ₂	Dimensions									WS [mm]	Clamping force ¹⁾ max. [kN]	[g]	Art. No.
					a ₁	a ₂	a ₃	b ₁	b ₂	l ₁	l ₂	l ₃	s				
13	M12	100	0 – 30	18	27	12	17	44	30	115	25	30	11	18	30	789	23185.0212
13	M12	125	0 – 55	18	27	12	17	44	30	115	25	30	11	18	30	803	23185.0213
17	M12	125	0 – 50	20	36	17	21	55	41	150	35	36	12	18	40	1599	23185.0214
17	M12	160	0 – 70	20	36	17	21	55	41	150	35	36	12	18	40	1623	23185.0215
17	M16	125	0 – 40	20	36	17	21	55	41	150	35	36	12	24	40	1731	23185.0216
17	M16	160	0 – 70	20	36	17	21	55	41	150	35	36	12	24	40	1779	23185.0217
21	M16	160	0 – 40	30	42	20	27	62	30	187	44	44	14	24	60	2512	23185.0218
21	M16	200	0 – 80	30	42	20	27	62	30	187	44	44	14	24	60	2621	23185.0219
21	M20	160	0 – 40	30	42	20	27	62	30	187	44	44	14	30	60	2749	23185.0220
21	M20	200	0 – 80	30	42	20	27	62	30	187	44	44	14	30	60	2831	23185.0221

¹⁾ stated clamping forces in optimal clamping position (smallest distance of the socket head screw to the clamping position). Clamping forces can vary depending on clamping, strength class of the socket head screw and condition of the thread (lubrication).

Nominal dimension d ₁ [mm]	Dimensions													WS [mm]	Clamping force ¹⁾ max. [kN]	 [g]	Art. No.
	d ₂	l ₄	h ₁	h ₂	a ₁	a ₂	a ₃	b ₁	b ₂	l ₁	l ₂	l ₃	s				
25	M20	200	0 – 70	31	51	24	34	70	30	235	60	47	17	30	75	4220	23185.0222
25	M20	250	0 – 100	31	51	24	34	70	30	235	60	47	17	30	75	4320	23185.0223
25	M24	200	0 – 50	31	51	24	34	70	30	235	60	47	17	36	75	4540	23185.0224
25	M24	250	0 – 100	31	51	24	34	70	30	235	60	47	17	36	75	4680	23185.0225

¹⁾ stated clamping forces in optimal clamping position (smallest distance of the socket head screw to the clamping position). Clamping forces can vary depending on clamping, strength class of the socket head screw and condition of the thread (lubrication).

Compliance

RoHS compliant

Compliant according to Directive 2011/65/EU and Directive 2015/863.

Does not contain SVHC substances

No SVHC substances with more than 0.1% w/w contained - SVHC list [REACH] as of 27.06.2024.

Does not contain Proposition 65 substances

No Proposition 65 substances included.

<https://www.P65Warnings.ca.gov/>

Free from Conflict Minerals

This product does not contain any substances designated as "conflict minerals" such as tantalum, tin, gold or tungsten from the Democratic Republic of Congo or adjacent countries.