

Expander® Sealing Plugs • body from case-hardened steel

EH 22880.



Product Description

Expander® sealing plugs are used for safe, quick and economic sealing of bore holes in fluid technology, e.g. hydraulic drilling holes in jig and fixture construction. Assembly is effected by pressing in the sealing plug into the drilling hole by means of the prescribed setting die.

Please refer to the technical data following these product information pages.

Material

Body

- Case-hardened steel, zinc-plated, thick-film passivated

Ball

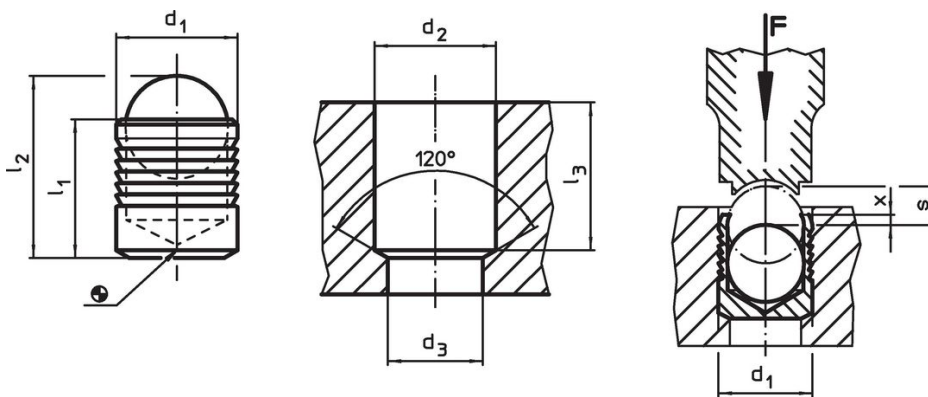
- Roller bearing steel, heat-treated, tempered

More information

Further products

- Expander® Sealing Plugs, body from stainless steel
- Expander® Sealing Plugs, body and ball from stainless steel
- Setting Dies, for Expander® sealing plug

Drawing



Order information

| d ₁ | l ₁ | l ₂ ~ | Dimensions | | | | | s | [g] | Art. No. |
|----------------|----------------|---------------------|------------------------|------------------------|------------------------|-----------|-------|------|------------|----------|
| | | | d ₂ +0.1 | d ₃ max. | l ₃ min. | x ±0.2 | [mm] | | | |
| 4 | 4.0 | 5.2 | 4 | 3.3 | 3.8 | 0.2 | 1.50 | 0.4 | 22880.0004 | |
| 5 | 5.5 | 7.0 | 5 | 4.3 | 5.3 | 0.4 | 2.00 | 0.8 | 22880.0005 | |
| 6 | 6.5 | 8.6 | 6 | 5.3 | 6.3 | 0.4 | 2.50 | 1.2 | 22880.0006 | |
| 7 | 7.5 | 10.1 | 7 | 6.4 | 7.3 | 0.4 | 3.00 | 1.9 | 22880.0007 | |
| 8 | 8.5 | 11.7 | 8 | 7.4 | 8.3 | 0.3 | 3.50 | 2.8 | 22880.0008 | |
| 9 | 10.0 | 13.7 | 9 | 8.4 | 9.8 | 0.4 | 4.00 | 4.2 | 22880.0009 | |
| 10 | 11.0 | 15.2 | 10 | 9.4 | 10.8 | 0.4 | 4.50 | 6.1 | 22880.0010 | |
| 12 | 13.0 | 18.0 | 12 | 10.6 | 12.8 | 0.4 | 5.50 | 9.6 | 22880.0012 | |
| 14 | 15.0 | 20.8 | 14 | 12.7 | 14.5 | 0.4 | 6.35 | 15.0 | 22880.0014 | |
| 16 | 17.0 | 23.7 | 16 | 14.7 | 16.5 | 0.6 | 7.00 | 22.0 | 22880.0016 | |
| 18 | 19.0 | 26.3 | 18 | 16.7 | 18.5 | 0.6 | 8.00 | 32.0 | 22880.0018 | |
| 20 | 22.0 | 30.5 | 20 | 18.7 | 21.5 | 0.8 | 9.00 | 44.0 | 22880.0020 | |
| 22 | 25.0 | 34.2 | 22 | 20.7 | 24.5 | 0.8 | 10.00 | 58.0 | 22880.0022 | |

Application example

| Working and control pressures for Expander® sealing plug, sleeve from case hardened steel 1.0403 | | | | | | | |
|--|----------------------|-----------------|-------------------|--------------------|-------------------|--------------------|---------------------|
| basic material | ETG-100 AISI 1144 | C15Pb 1.0403 | GG-25 DIN 1691 | GGG-50 DIN 1693 | AlCuMg2 3.1354 | AlMgSiPb 3.0615 | G-AISI7Mg 3.2371 |
| d ₁ 4-10 mm | p [bar] | | | | | | |
| | 350 | 350 | 350 | 350 | 350 | 320 | 320 |
| | pTest [bar] | | | | | | |
| | 1100 | 1100 | 1100 | 1100 | 1100 | 1000 | 1000 |
| d ₁ 12-22 mm | p [bar] | | | | | | |
| | 280 | 280 | 280 | 280 | 280 | 250 | 250 |
| | pTest [bar] | | | | | | |
| | 900 | 900 | 900 | 900 | 900 | 800 | 800 |

Compliance

RoHS compliant

Contains lead - compliant according to exceptions 6a / 6b / 6c.

Contains SVHC substances >0,1% w/w

Contains lead - SVHC list [REACH] as of 27.06.2024.

Contains Proposition 65 substances



Lead can cause cancer and reproductive harm from exposure
<https://www.P65Warnings.ca.gov/>

Free from Conflict Minerals

This product does not contain any substances designated as "conflict minerals" such as tantalum, tin, gold or tungsten from the Democratic Republic of Congo or adjacent countries.