

Ball Lock Pins • self-locking, with safety handle

EH 22340. /EH 22350.



Product Description

For quick fastening, locking, adjusting, changing and securing. Quickly and easily unlockable for frequently repeated connections.
All versions are corrosion resistant. When using stainless steel 1.4542: high-strength, hardened, abrasion resistant pin with high load capacity.
Robust safety handle (press button not overlaying). Shape of grip protects from unintentional use of the press button.

Material

Pin part

- Stainless steel 1.4305
- Stainless steel 1.4542, precipitation-hardened

Handle

- Stainless steel

Press button

- Stainless steel

Spring

- Stainless steel

Operation

The balls are unlocked by pressing the button.

Characteristic

Types from stainless steel 1.4542 with marking below the balls.

More information

Notes

Customized design on request.

Accessories

Can easily be fitted with retaining cable EH 22400.

Further products

- Locating Bushings, for ball lock pins and socket pins
- Locating Bushings, with flange, for ball lock pins and socket pins
- Retaining Cables
- Positioning Bushings, with collar, DIN 172 A
- Positioning Bushings, without collar, DIN 179 A

Drawing



** Types from stainless steel 1.4542 with marking.

Order information

Dimensions								Location hole H11	max.		Shearing resistance, two-shear ¹⁾ min.	Art. No.
d ₁	l ₁	d ₂	d ₃	d ₄	l ₂	l ₃	l ₄	[mm]	[°C]	[g]	[kN]	
-0.04 -0.08	+0.6				±1							
[mm]												
Stainless steel 1.4305												
5	10	5.5	10.3	20	6.0	11.6	21.0	5	250	18	14	22340.1012
5	15	5.5	10.3	20	6.0	11.6	21.0	5	250	19	14	22340.1013
5	20	5.5	10.3	20	6.0	11.6	21.0	5	250	20	14	22340.1014
5	25	5.5	10.3	20	6.0	11.6	21.0	5	250	20	14	22340.1015
5	30	5.5	10.3	20	6.0	11.6	21.0	5	250	21	14	22340.1016
5	35	5.5	10.3	20	6.0	11.6	21.0	5	250	22	14	22340.1017
5	40	5.5	10.3	20	6.0	11.6	21.0	5	250	23	14	22340.1018
5	45	5.5	10.3	20	6.0	11.6	21.0	5	250	23	14	22340.1007
5	50	5.5	10.3	20	6.0	11.6	21.0	5	250	24	14	22340.1008

¹⁾ Shearing resistance similar to DIN 50141

d ₁ -0.04 -0.08	l ₁ +0.6	Dimensions						Location hole H11	🌡️ max.	🏋️ [g]	Shearing resistance, two-shear ¹⁾ min.	Art. No.
		d ₂	d ₃	d ₄	l ₂ ±1	l ₃	l ₄					
5	60	5.5	10.3	20	6.0	11.6	21.0	5	250	25	14	22340.1009
5	70	5.5	10.3	20	6.0	11.6	21.0	5	250	27	14	22340.1010
5	80	5.5	10.3	20	6.0	11.6	21.0	5	250	28	14	22340.1011
6	10	7.0	10.3	20	7.0	11.6	21.0	6	250	19	21	22340.1022
6	15	7.0	10.3	20	7.0	11.6	21.0	6	250	20	21	22340.1023
6	20	7.0	10.3	20	7.0	11.6	21.0	6	250	21	21	22340.1024
6	25	7.0	10.3	20	7.0	11.6	21.0	6	250	22	21	22340.1025
6	30	7.0	10.3	20	7.0	11.6	21.0	6	250	23	21	22340.1026
6	35	7.0	10.3	20	7.0	11.6	21.0	6	250	24	21	22340.1027
6	40	7.0	10.3	20	7.0	11.6	21.0	6	250	25	21	22340.1028
6	45	7.0	10.3	20	7.0	11.6	21.0	6	250	26	21	22340.1029
6	50	7.0	10.3	20	7.0	11.6	21.0	6	250	27	21	22340.1030
6	60	7.0	10.3	20	7.0	11.6	21.0	6	250	29	21	22340.1019
6	70	7.0	10.3	20	7.0	11.6	21.0	6	250	31	21	22340.1020
6	80	7.0	10.3	20	7.0	11.6	21.0	6	250	33	21	22340.1021
8	10	9.5	13.3	24	8.2	17.4	27.5	8	250	36	38	22340.1032
8	15	9.5	13.3	24	8.2	17.4	27.5	8	250	38	38	22340.1033
8	20	9.5	13.3	24	8.2	17.4	27.5	8	250	40	38	22340.1034
8	25	9.5	13.3	24	8.2	17.4	27.5	8	250	41	38	22340.1035
8	30	9.5	13.3	24	8.2	17.4	27.5	8	250	43	38	22340.1036
8	35	9.5	13.3	24	8.2	17.4	27.5	8	250	45	38	22340.1037
8	40	9.5	13.3	24	8.2	17.4	27.5	8	250	47	38	22340.1038
8	45	9.5	13.3	24	8.2	17.4	27.5	8	250	49	38	22340.1039
8	50	9.5	13.3	24	8.2	17.4	27.5	8	250	51	38	22340.1040
8	60	9.5	13.3	24	8.2	17.4	27.5	8	250	54	38	22340.1031
8	70	9.5	13.3	24	8.2	17.4	27.5	8	250	58	38	22340.1041
8	80	9.5	13.3	24	8.2	17.4	27.5	8	250	62	38	22340.1042
8	90	9.5	13.3	24	8.2	17.4	27.5	8	250	65	38	22340.1043
8	100	9.5	13.3	24	8.2	17.4	27.5	8	250	69	38	22340.1051
10	15	12.0	13.3	24	9.6	17.4	27.5	10	250	43	60	22340.1059
10	20	12.0	13.3	24	9.6	17.4	27.5	10	250	46	60	22340.1044
10	25	12.0	13.3	24	9.6	17.4	27.5	10	250	49	60	22340.1045
10	30	12.0	13.3	24	9.6	17.4	27.5	10	250	52	60	22340.1046
10	35	12.0	13.3	24	9.6	17.4	27.5	10	250	55	60	22340.1047
10	40	12.0	13.3	24	9.6	17.4	27.5	10	250	58	60	22340.1048
10	45	12.0	13.3	24	9.6	17.4	27.5	10	250	61	60	22340.1049
10	50	12.0	13.3	24	9.6	17.4	27.5	10	250	64	60	22340.1050
10	60	12.0	13.3	24	9.6	17.4	27.5	10	250	70	60	22340.1052
10	70	12.0	13.3	24	9.6	17.4	27.5	10	250	76	60	22340.1053
10	80	12.0	13.3	24	9.6	17.4	27.5	10	250	82	60	22340.1054
10	90	12.0	13.3	24	9.6	17.4	27.5	10	250	88	60	22340.1055
10	100	12.0	13.3	24	9.6	17.4	27.5	10	250	93	60	22340.1056
10	110	12.0	13.3	24	9.6	17.4	27.5	10	250	99	60	22340.1057
10	120	12.0	13.3	24	9.6	17.4	27.5	10	250	105	60	22340.1058
12	20	14.5	16.5	28	10.6	23.1	33.5	12	250	72	87	22340.1064
12	25	14.5	16.5	28	10.6	23.1	33.5	12	250	77	87	22340.1065
12	30	14.5	16.5	28	10.6	23.1	33.5	12	250	81	87	22340.1066
12	35	14.5	16.5	28	10.6	23.1	33.5	12	250	86	87	22340.1067
12	40	14.5	16.5	28	10.6	23.1	33.5	12	250	90	87	22340.1068
12	45	14.5	16.5	28	10.6	23.1	33.5	12	250	94	87	22340.1069
12	50	14.5	16.5	28	10.6	23.1	33.5	12	250	98	87	22340.1070
12	60	14.5	16.5	28	10.6	23.1	33.5	12	250	106	87	22340.1072
12	70	14.5	16.5	28	10.6	23.1	33.5	12	250	115	87	22340.1074
12	80	14.5	16.5	28	10.6	23.1	33.5	12	250	124	87	22340.1076
12	90	14.5	16.5	28	10.6	23.1	33.5	12	250	132	87	22340.1060
12	100	14.5	16.5	28	10.6	23.1	33.5	12	250	140	87	22340.1061
12	110	14.5	16.5	28	10.6	23.1	33.5	12	250	149	87	22340.1062
12	120	14.5	16.5	28	10.6	23.1	33.5	12	250	157	87	22340.1063
16	30	19.0	23.4	38	14.0	29.5	43.1	16	250	193	155	22340.1071

¹⁾ Shearing resistance similar to DIN 50141

d ₁ -0.04 -0.08	l ₁ +0.6	Dimensions						Location hole H11	🌡️ max.	🏋️ [g]	Shearing resistance, two-shear ¹⁾ min.	Art. No.
		d ₂	d ₃	d ₄	l ₂ ±1	l ₃	l ₄					
16	35	19.0	23.4	38	14.0	29.5	43.1	16	250	200	155	22340.1073
16	40	19.0	23.4	38	14.0	29.5	43.1	16	250	207	155	22340.1075
16	45	19.0	23.4	38	14.0	29.5	43.1	16	250	215	155	22340.1077
16	50	19.0	23.4	38	14.0	29.5	43.1	16	250	223	155	22340.1078
16	60	19.0	23.4	38	14.0	29.5	43.1	16	250	239	155	22340.1079
16	70	19.0	23.4	38	14.0	29.5	43.1	16	250	254	155	22340.1080
16	80	19.0	23.4	38	14.0	29.5	43.1	16	250	268	155	22340.1081
16	90	19.0	23.4	38	14.0	29.5	43.1	16	250	284	155	22340.1082
16	100	19.0	23.4	38	14.0	29.5	43.1	16	250	299	155	22340.1083
16	110	19.0	23.4	38	14.0	29.5	43.1	16	250	317	155	22340.1084
16	120	19.0	23.4	38	14.0	29.5	43.1	16	250	333	155	22340.1085
16	130	19.0	23.4	38	14.0	29.5	43.1	16	250	349	155	22340.1086
16	140	19.0	23.4	38	14.0	29.5	43.1	16	250	363	155	22340.1087
16	150	19.0	23.4	38	14.0	29.5	43.1	16	250	376	155	22340.1088
20	50	24.8	23.4	38	17.0	29.5	43.1	20	250	282	244	22340.1089
20	60	24.8	23.4	38	17.0	29.5	43.1	20	250	309	244	22340.1090
20	70	24.8	23.4	38	17.0	29.5	43.1	20	250	333	244	22340.1091
20	80	24.8	23.4	38	17.0	29.5	43.1	20	250	356	244	22340.1092
20	90	24.8	23.4	38	17.0	29.5	43.1	20	250	381	244	22340.1093
20	100	24.8	23.4	38	17.0	29.5	43.1	20	250	406	244	22340.1094
20	110	24.8	23.4	38	17.0	29.5	43.1	20	250	424	244	22340.1095
20	120	24.8	23.4	38	17.0	29.5	43.1	20	250	452	244	22340.1096
20	130	24.8	23.4	38	17.0	29.5	43.1	20	250	472	244	22340.1097
20	140	24.8	23.4	38	17.0	29.5	43.1	20	250	501	244	22340.1098
20	150	24.8	23.4	38	17.0	29.5	43.1	20	250	520	244	22340.1099
25	50	31.0	30.4	50	22.0	36.8	54.8	25	250	524	386	22340.1100
25	60	31.0	30.4	50	22.0	36.8	54.8	25	250	562	386	22340.1101
25	70	31.0	30.4	50	22.0	36.8	54.8	25	250	600	386	22340.1102
25	80	31.0	30.4	50	22.0	36.8	54.8	25	250	643	386	22340.1103
25	90	31.0	30.4	50	22.0	36.8	54.8	25	250	672	386	22340.1104
25	100	31.0	30.4	50	22.0	36.8	54.8	25	250	713	386	22340.1105
25	110	31.0	30.4	50	22.0	36.8	54.8	25	250	748	386	22340.1106
25	120	31.0	30.4	50	22.0	36.8	54.8	25	250	798	386	22340.1107
25	130	31.0	30.4	50	22.0	36.8	54.8	25	250	825	386	22340.1108
25	140	31.0	30.4	50	22.0	36.8	54.8	25	250	873	386	22340.1109
25	150	31.0	30.4	50	22.0	36.8	54.8	25	250	893	386	22340.1110
Stainless steel 1.4542, precipitation-hardened												
5	10	5.5	10.3	20	6.0	11.6	21.0	5	250	18	24	22350.1012
5	15	5.5	10.3	20	6.0	11.6	21.0	5	250	19	24	22350.1013
5	20	5.5	10.3	20	6.0	11.6	21.0	5	250	20	24	22350.1014
5	25	5.5	10.3	20	6.0	11.6	21.0	5	250	20	24	22350.1015
5	30	5.5	10.3	20	6.0	11.6	21.0	5	250	21	24	22350.1016
5	35	5.5	10.3	20	6.0	11.6	21.0	5	250	22	24	22350.1017
5	40	5.5	10.3	20	6.0	11.6	21.0	5	250	23	24	22350.1018
5	45	5.5	10.3	20	6.0	11.6	21.0	5	250	23	24	22350.1007
5	50	5.5	10.3	20	6.0	11.6	21.0	5	250	24	24	22350.1008
5	60	5.5	10.3	20	6.0	11.6	21.0	5	250	25	24	22350.1009
5	70	5.5	10.3	20	6.0	11.6	21.0	5	250	27	24	22350.1010
5	80	5.5	10.3	20	6.0	11.6	21.0	5	250	28	24	22350.1011
6	10	7.0	10.3	20	7.0	11.6	21.0	6	250	19	35	22350.1022
6	15	7.0	10.3	20	7.0	11.6	21.0	6	250	20	35	22350.1023
6	20	7.0	10.3	20	7.0	11.6	21.0	6	250	21	35	22350.1024
6	25	7.0	10.3	20	7.0	11.6	21.0	6	250	22	35	22350.1025
6	30	7.0	10.3	20	7.0	11.6	21.0	6	250	23	35	22350.1026
6	35	7.0	10.3	20	7.0	11.6	21.0	6	250	24	35	22350.1027
6	40	7.0	10.3	20	7.0	11.6	21.0	6	250	25	35	22350.1028
6	45	7.0	10.3	20	7.0	11.6	21.0	6	250	26	35	22350.1029
6	50	7.0	10.3	20	7.0	11.6	21.0	6	250	27	35	22350.1030

¹⁾ Shearing resistance similar to DIN 50141

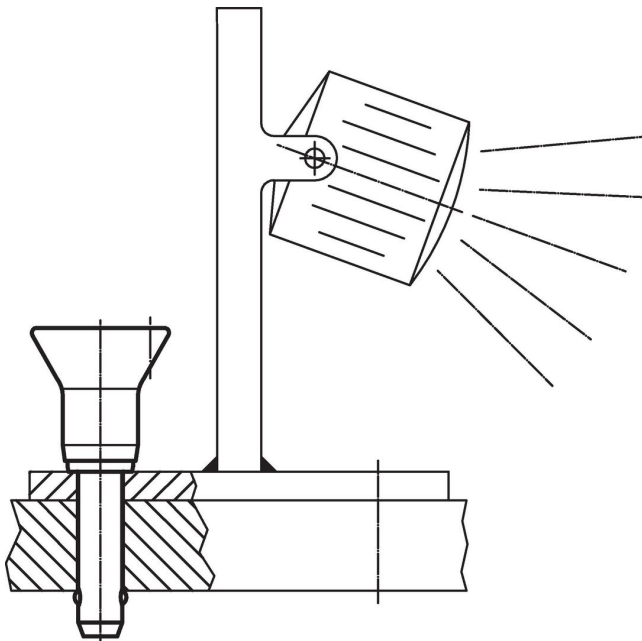
d ₁ -0.04 -0.08	l ₁ +0.6	Dimensions						Location hole H11	🌡️ max.	🏋️ [g]	Shearing resistance, two-shear ¹⁾ min.	Art. No.
		d ₂	d ₃	d ₄	l ₂ ±1	l ₃	l ₄					
6	60	7.0	10.3	20	7.0	11.6	21.0	6	250	29	35	22350.1019
6	70	7.0	10.3	20	7.0	11.6	21.0	6	250	31	35	22350.1020
6	80	7.0	10.3	20	7.0	11.6	21.0	6	250	33	35	22350.1021
8	10	9.5	13.3	24	8.2	17.4	27.5	8	250	36	63	22350.1032
8	15	9.5	13.3	24	8.2	17.4	27.5	8	250	38	63	22350.1033
8	20	9.5	13.3	24	8.2	17.4	27.5	8	250	40	63	22350.1034
8	25	9.5	13.3	24	8.2	17.4	27.5	8	250	41	63	22350.1035
8	30	9.5	13.3	24	8.2	17.4	27.5	8	250	43	63	22350.1036
8	35	9.5	13.3	24	8.2	17.4	27.5	8	250	45	63	22350.1037
8	40	9.5	13.3	24	8.2	17.4	27.5	8	250	47	63	22350.1038
8	45	9.5	13.3	24	8.2	17.4	27.5	8	250	49	63	22350.1039
8	50	9.5	13.3	24	8.2	17.4	27.5	8	250	51	63	22350.1040
8	60	9.5	13.3	24	8.2	17.4	27.5	8	250	54	63	22350.1031
8	70	9.5	13.3	24	8.2	17.4	27.5	8	250	58	63	22350.1041
8	80	9.5	13.3	24	8.2	17.4	27.5	8	250	62	63	22350.1042
8	90	9.5	13.3	24	8.2	17.4	27.5	8	250	65	63	22350.1043
8	100	9.5	13.3	24	8.2	17.4	27.5	8	250	69	63	22350.1051
10	15	12.0	13.3	24	9.6	17.4	27.5	10	250	43	100	22350.1059
10	20	12.0	13.3	24	9.6	17.4	27.5	10	250	46	100	22350.1044
10	25	12.0	13.3	24	9.6	17.4	27.5	10	250	49	100	22350.1045
10	30	12.0	13.3	24	9.6	17.4	27.5	10	250	52	100	22350.1046
10	35	12.0	13.3	24	9.6	17.4	27.5	10	250	55	100	22350.1047
10	40	12.0	13.3	24	9.6	17.4	27.5	10	250	58	100	22350.1048
10	45	12.0	13.3	24	9.6	17.4	27.5	10	250	61	100	22350.1049
10	50	12.0	13.3	24	9.6	17.4	27.5	10	250	64	100	22350.1050
10	60	12.0	13.3	24	9.6	17.4	27.5	10	250	70	100	22350.1052
10	70	12.0	13.3	24	9.6	17.4	27.5	10	250	76	100	22350.1053
10	80	12.0	13.3	24	9.6	17.4	27.5	10	250	82	100	22350.1054
10	90	12.0	13.3	24	9.6	17.4	27.5	10	250	88	100	22350.1055
10	100	12.0	13.3	24	9.6	17.4	27.5	10	250	93	100	22350.1056
10	110	12.0	13.3	24	9.6	17.4	27.5	10	250	99	100	22350.1057
10	120	12.0	13.3	24	9.6	17.4	27.5	10	250	105	100	22350.1058
12	20	14.5	16.5	28	10.6	23.1	33.5	12	250	72	144	22350.1064
12	25	14.5	16.5	28	10.6	23.1	33.5	12	250	77	144	22350.1065
12	30	14.5	16.5	28	10.6	23.1	33.5	12	250	81	144	22350.1066
12	35	14.5	16.5	28	10.6	23.1	33.5	12	250	86	144	22350.1067
12	40	14.5	16.5	28	10.6	23.1	33.5	12	250	90	144	22350.1068
12	45	14.5	16.5	28	10.6	23.1	33.5	12	250	94	144	22350.1069
12	50	14.5	16.5	28	10.6	23.1	33.5	12	250	98	144	22350.1070
12	60	14.5	16.5	28	10.6	23.1	33.5	12	250	106	144	22350.1072
12	70	14.5	16.5	28	10.6	23.1	33.5	12	250	115	144	22350.1074
12	80	14.5	16.5	28	10.6	23.1	33.5	12	250	124	144	22350.1076
12	90	14.5	16.5	28	10.6	23.1	33.5	12	250	132	144	22350.1060
12	100	14.5	16.5	28	10.6	23.1	33.5	12	250	140	144	22350.1061
12	110	14.5	16.5	28	10.6	23.1	33.5	12	250	149	144	22350.1062
12	120	14.5	16.5	28	10.6	23.1	33.5	12	250	157	144	22350.1063
16	30	19.0	23.4	38	14.0	29.5	43.1	16	250	193	257	22350.1071
16	35	19.0	23.4	38	14.0	29.5	43.1	16	250	200	257	22350.1073
16	40	19.0	23.4	38	14.0	29.5	43.1	16	250	207	257	22350.1075
16	45	19.0	23.4	38	14.0	29.5	43.1	16	250	215	257	22350.1077
16	50	19.0	23.4	38	14.0	29.5	43.1	16	250	223	257	22350.1078
16	60	19.0	23.4	38	14.0	29.5	43.1	16	250	239	257	22350.1079
16	70	19.0	23.4	38	14.0	29.5	43.1	16	250	254	257	22350.1080
16	80	19.0	23.4	38	14.0	29.5	43.1	16	250	268	257	22350.1081
16	90	19.0	23.4	38	14.0	29.5	43.1	16	250	284	257	22350.1082
16	100	19.0	23.4	38	14.0	29.5	43.1	16	250	299	257	22350.1083
16	110	19.0	23.4	38	14.0	29.5	43.1	16	250	317	257	22350.1084
16	120	19.0	23.4	38	14.0	29.5	43.1	16	250	333	257	22350.1085
16	130	19.0	23.4	38	14.0	29.5	43.1	16	250	349	257	22350.1086

¹⁾ Shearing resistance similar to DIN 50141

d ₁ -0.04 -0.08	l ₁ +0.6	Dimensions						Location hole H11 [mm]	🌡️ max. [°C]	🏋️ [g]	Shearing resistance, two-shear ¹⁾ min. [kN]	Art. No.
		d ₂	d ₃	d ₄	l ₂ ±1	l ₃	l ₄					
[mm]												
16	140	19.0	23.4	38	14.0	29.5	43.1	16	250	363	257	22350.1087
16	150	19.0	23.4	38	14.0	29.5	43.1	16	250	376	257	22350.1088
20	50	24.8	23.4	38	17.0	29.5	43.1	20	250	282	406	22350.1089
20	60	24.8	23.4	38	17.0	29.5	43.1	20	250	309	406	22350.1090
20	70	24.8	23.4	38	17.0	29.5	43.1	20	250	333	403	22350.1091
20	80	24.8	23.4	38	17.0	29.5	43.1	20	250	356	403	22350.1092
20	90	24.8	23.4	38	17.0	29.5	43.1	20	250	381	403	22350.1093
20	100	24.8	23.4	38	17.0	29.5	43.1	20	250	406	403	22350.1094
20	110	24.8	23.4	38	17.0	29.5	43.1	20	250	424	403	22350.1095
20	120	24.8	23.4	38	17.0	29.5	43.1	20	250	452	403	22350.1096
20	130	24.8	23.4	38	17.0	29.5	43.1	20	250	472	403	22350.1097
20	140	24.8	23.4	38	17.0	29.5	43.1	20	250	501	403	22350.1098
20	150	24.8	23.4	38	17.0	29.5	43.1	20	250	520	403	22350.1099
25	50	31.0	30.4	50	22.0	36.8	54.8	25	250	524	631	22350.1100
25	60	31.0	30.4	50	22.0	36.8	54.8	25	250	562	631	22350.1101
25	70	31.0	30.4	50	22.0	36.8	54.8	25	250	600	631	22350.1102
25	80	31.0	30.4	50	22.0	36.8	54.8	25	250	643	631	22350.1103
25	90	31.0	30.4	50	22.0	36.8	54.8	25	250	672	631	22350.1104
25	100	31.0	30.4	50	22.0	36.8	54.8	25	250	713	631	22350.1105
25	110	31.0	30.4	50	22.0	36.8	54.8	25	250	748	631	22350.1106
25	120	31.0	30.4	50	22.0	36.8	54.8	25	250	798	631	22350.1107
25	130	31.0	30.4	50	22.0	36.8	54.8	25	250	825	631	22350.1108
25	140	31.0	30.4	50	22.0	36.8	54.8	25	250	873	631	22350.1109
25	150	31.0	30.4	50	22.0	36.8	54.8	25	250	893	631	22350.1110

¹⁾ Shearing resistance similar to DIN 50141

Application example



Compliance

RoHS compliant

Compliant according to Directive 2011/65/EU and Directive 2015/863.

Does not contain SVHC substances

No SVHC substances with more than 0.1% w/w contained - SVHC list [REACH] as of 27.06.2024.

Does not contain Proposition 65 substances

No Proposition 65 substances included.

<https://www.P65Warnings.ca.gov/>

Free from Conflict Minerals

This product does not contain any substances designated as "conflict minerals" such as tantalum, tin, gold or tungsten from the Democratic Republic of Congo or adjacent countries.