

Index Plungers · with hexagon collar, stainless steel EH 22120.



Product Description

Index plungers are used for indexing bores.

Material

Body

- Stainless steel 1.4305

Locking pin

- Stainless steel 1.4305, nickel-plated

Knob

- Stainless steel 1.4305

Assembly

The screw length can be adapted by distance collars for index plungers (EH 22120.).

More information

Notes

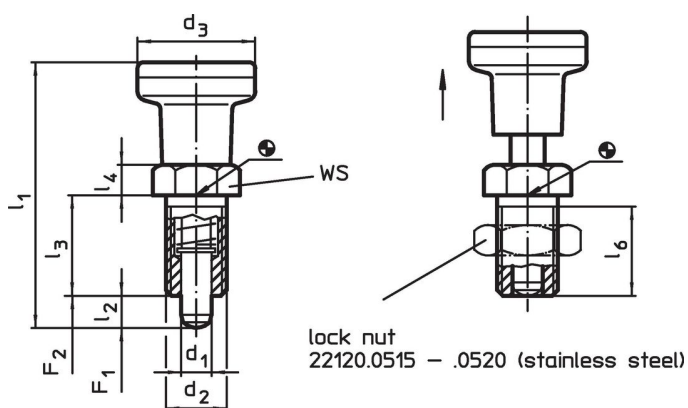
Knob not removable.

Lock nuts have to be purchased separately.

Further products

- Mounting Blocks, for index bolts and index plungers, die-cast
- Distance Collars, for index plungers

Drawing




Order information

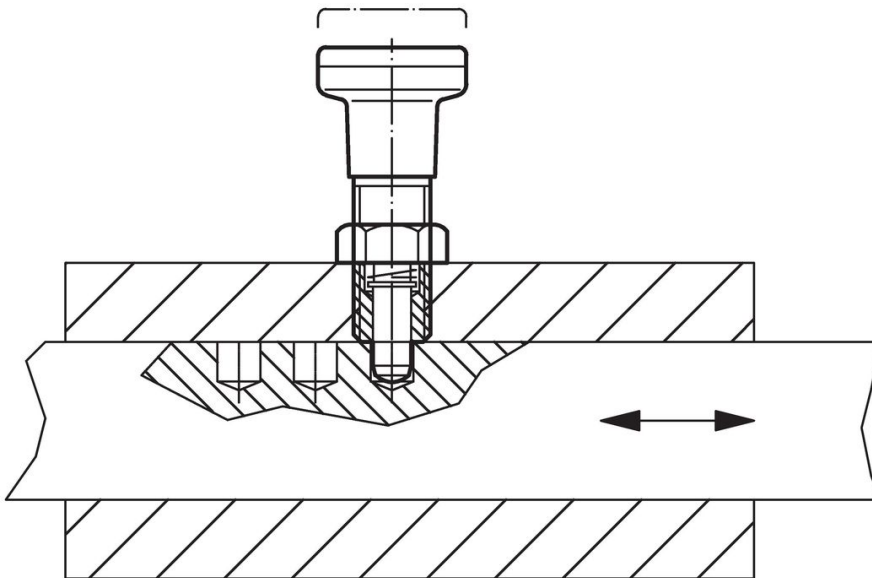
d ₁ -0.02 -0.05	d ₂	d ₃	Dimensions					WS [mm]	Spring load ¹⁾		max. [°C]	[g]	Art. No.
			l ₁ ~ [mm]	l ₂ min.	l ₃	l ₄	l ₆ min.		F ₁ ~ [N]	F ₂ ~			
Stainless steel													
5	M10 x 1	21	45.0	5	17	5	15	12	6.0	14	250	43	22120.0485
6	M12 x 1,5	25	54.5	6	20	6	17	14	6.5	19	250	65	22120.0486
8	M16 x 1,5	31	69.0	8	26	8	23	19	11.5	28	250	132	22120.0488
10	M20 x 1,5	31	80.0	10	33	10	30	22	23.0	54	250	179	22120.0490

¹⁾ statistical average value

Accessories

	Dimensions d ₂ [mm]	Wrench size [mm]	[g]	Art. No.
Lock nuts ISO 8675 (DIN 439), Stainless steel				
	M10 x 1	16	5.2	22120.0515
	M12 x 1,5	18	7.5	22120.0516
	M16 x 1,5	24	15.0	22120.0518
	M20 x 1,5	30	32.0	22120.0520

Application example



Compliance

For detailed compliance information please select the desired article number.