

Index Plungers Mini Indexes • Stainless steel

EH 22110.



Product Description

Particularly suitable for screwing into thin walled pieces.
Performance in the smallest space requirements.
Due to a thread recess the index plungers can be completely screwed in.

Material

Body

- Stainless steel 1.4305

Locking pin

- Stainless steel 1.4305

Knob

- Stainless steel 1.4308

Assembly

Screw in the mini index. By lifting the knob, the hexagon will be released for assembly.
The screw length can be adapted by distance collars for index plungers (EH 22120.).

Operation

When using the self-locking type the knob is pulled-out, turned 30° and secured by a notched catch.

More information

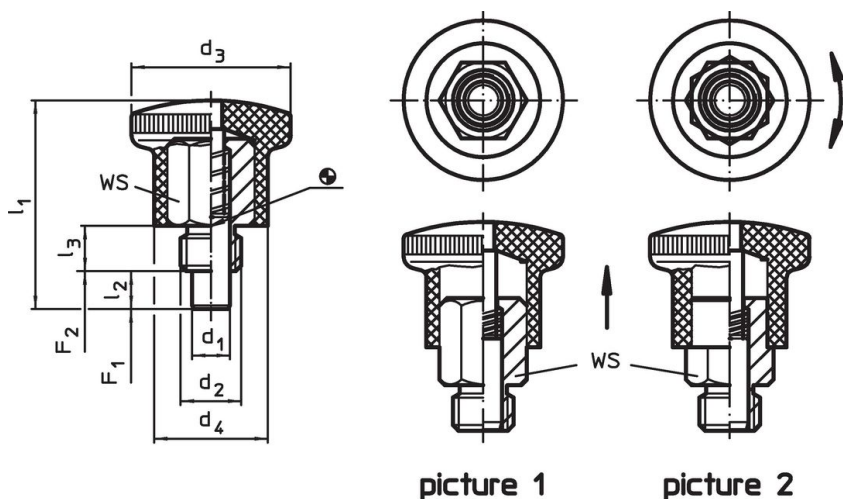
Notes

Knob not removable.

Further products

- Distance Collars, for index plungers

Drawing



Order information

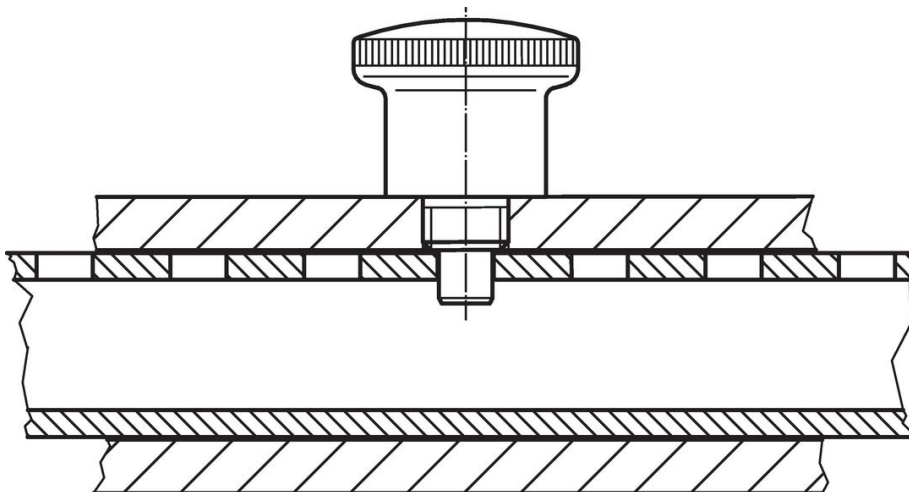
d ₁ h9	d ₂	Dimensions					WS [mm]	Spring load ¹⁾		max. [°C]	[g]	Art. No.
		d ₃	d ₄	l ₁	l ₂ min.	l ₃		F ₁ ~ [N]	F ₂ ~ [N]			
without locking – picture 1												
4	M 8	21	15	27.5	5	6	10	4	12	250	27	22110.1102
4	M 8 x 1	21	15	27.5	5	6	10	4	12	250	28	22110.1104
5	M10	25	18	34.0	6	8	12	6	16	250	49	22110.1106
5	M10 x 1	25	18	34.0	6	8	12	6	16	250	50	22110.1108
6	M10	25	18	34.0	6	8	12	6	16	250	50	22110.1110
6	M10 x 1	25	18	34.0	6	8	12	6	16	250	50	22110.1112
6	M12	28	20	40.5	7	10	14	10	23	250	74	22110.1114
6	M12 x 1,5	28	20	40.5	7	10	14	10	23	250	75	22110.1116
7	M12	28	20	40.5	7	10	14	10	23	250	75	22110.1118
7	M12 x 1,5	28	20	40.5	7	10	14	10	23	250	75	22110.1120

¹⁾ statistical average value

d ₁ h9	Dimensions						WS [mm]	Spring load ¹⁾		max. [°C]	[g]	Art. No.
	d ₂	d ₃	d ₄	l ₁	l ₂ min.	l ₃		F ₁ ~ [N]	F ₂ ~ [N]			
8	M16	33	23	47.5	10	12	17	11	34	250	110	22110.1122
8	M16 x 1,5	33	23	47.5	10	12	17	11	35	250	113	22110.1124
10	M16	33	23	47.5	10	12	17	11	35	250	113	22110.1126
10	M16 x 1,5	33	23	47.5	10	12	17	11	35	250	113	22110.1128
with locking – picture 2												
4	M 8	21	15	27.5	5	6	10	4	12	250	27	22110.1130
4	M 8 x 1	21	15	27.5	5	6	10	4	12	250	28	22110.1132
5	M10	25	18	34.0	6	8	12	6	16	250	48	22110.1134
5	M10 x 1	25	18	34.0	6	8	12	6	16	250	49	22110.1136
6	M10	25	18	34.0	6	8	12	6	16	250	49	22110.1138
6	M10 x 1	25	18	34.0	6	8	12	6	16	250	50	22110.1140
6	M12	28	20	40.5	7	10	14	10	23	250	72	22110.1142
6	M12 x 1,5	28	20	40.5	7	10	14	10	23	250	73	22110.1144
7	M12	28	20	40.5	7	10	14	10	23	250	73	22110.1146
7	M12 x 1,5	28	20	40.5	7	10	14	10	23	250	74	22110.1148
8	M16	33	23	47.5	10	12	17	11	35	250	110	22110.1150
8	M16 x 1,5	33	23	47.5	10	12	17	11	35	250	110	22110.1152
10	M16	33	23	47.5	10	12	17	11	35	250	112	22110.1154
10	M16 x 1,5	33	23	47.5	10	12	17	11	35	250	114	22110.1156

¹⁾ statistical average value

Application example



Compliance

RoHS compliant

Compliant according to Directive 2011/65/EU and Directive 2015/863.

Does not contain SVHC substances

No SVHC substances with more than 0.1% w/w contained - SVHC list [REACH] as of 27.06.2024.

Does not contain Proposition 65 substances

No Proposition 65 substances included.

<https://www.P65Warnings.ca.gov/>

Free from Conflict Minerals

This product does not contain any substances designated as "conflict minerals" such as tantalum, tin, gold or tungsten from the Democratic Republic of Congo or adjacent countries.