

Connecting Elements • modular, pneumatically operated

EH 1990.



Product Description

Material

Body
• Steel, case-hardened, ground

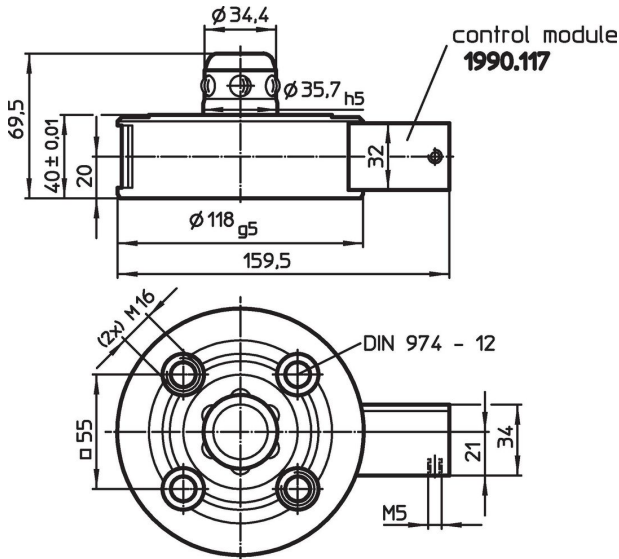
Control module
• Aluminium Al

More information


Further products

- Connecting Rings
- Coverings, for connecting elements

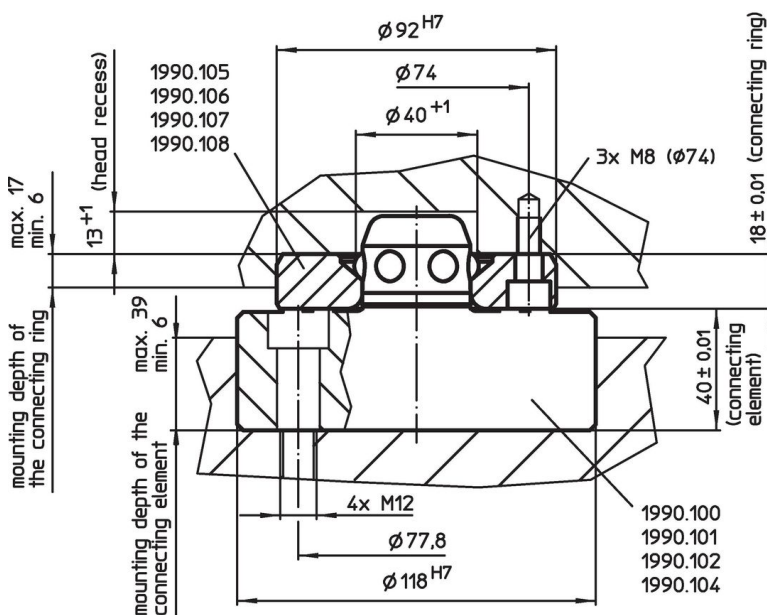
Drawing



Order information

Holding force	Centering accuracy	Release pressure		Art. No.
[N]	[mm]	[bar]	[kg]	
5000	0.01	6	3	1990.102

Application example



Compliance

RoHS compliant

Compliant according to Directive 2011/65/EU and Directive 2015/863.

Does not contain SVHC substances

No SVHC substances with more than 0.1% w/w contained - SVHC list [REACH] as of 27.06.2024.

Does not contain Proposition 65 substances

No Proposition 65 substances included.

<https://www.P65Warnings.ca.gov/>

Free from Conflict Minerals

This product does not contain any substances designated as "conflict minerals" such as tantalum, tin, gold or tungsten from the Democratic Republic of Congo or adjacent countries.