

Crank Handles · with folding handle

24331.0305



Product Description

Material

Axle part

- Steel, blackened

Handle

- Thermoplastic, black, dull

Handle body

- Aluminium, plastic coated, similar to RAL 9005 black, matt structure

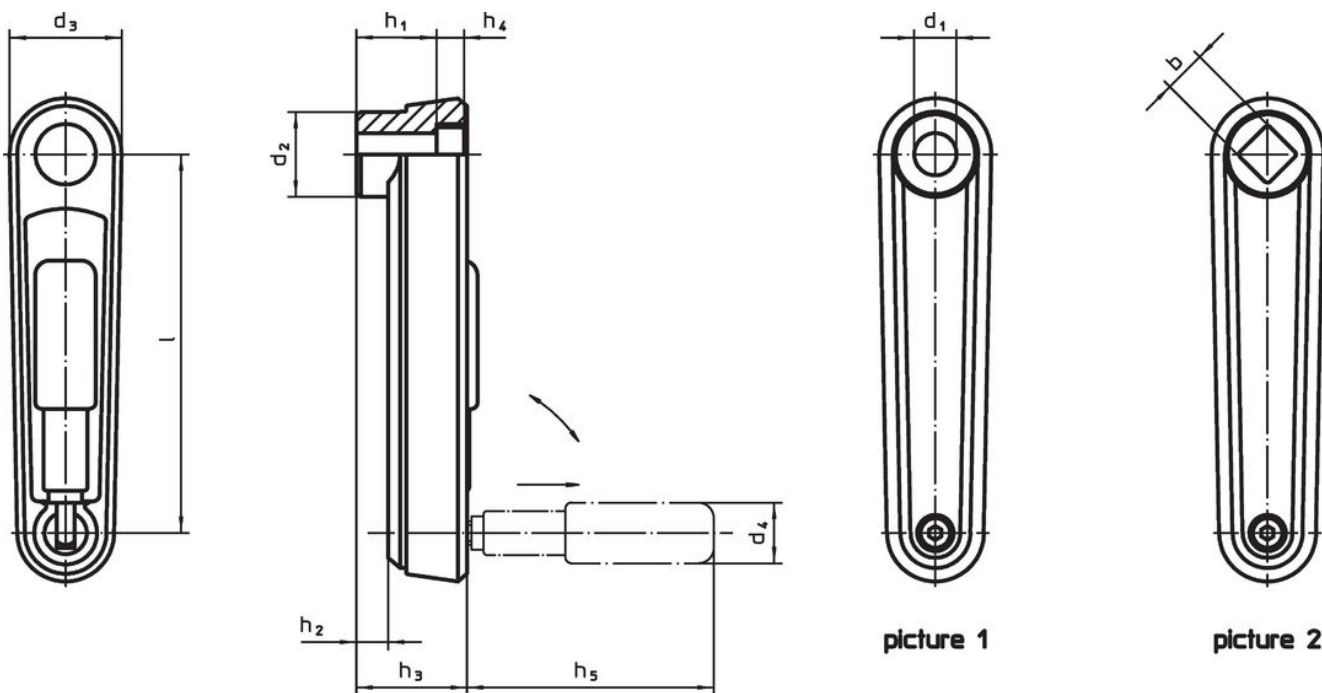
Covering

- Plastic, light grey

Operation

In the operating position the handle is locked. To move the handle to the rest position, it must be pulled out axially and flipped round.

Drawing



Order information

Dimensions											Art. No.
l	b H11	d <sub>2</sub>	d <sub>3</sub>	h <sub>1</sub>	h <sub>2</sub> ~	h <sub>3</sub>	h <sub>4</sub>	h <sub>5</sub>	d <sub>4</sub> Cylindrical handle Ø	[g]	
with square shaft – picture 2, black											
80	10	23	30	19.5	4	25.5	4.3	43	16	115	24331.0305

## Compliance

### RoHS compliant

Compliant according to Directive 2011/65/EU and Directive 2015/863.

### Does not contain SVHC substances

No SVHC substances with more than 0.1% w/w contained - SVHC list [REACH] as of 27.06.2024.

### Does not contain Proposition 65 substances

No Proposition 65 substances included.

<https://www.P65Warnings.ca.gov/>

### Free from Conflict Minerals

This product does not contain any substances designated as "conflict minerals" such as tantalum, tin, gold or tungsten from the Democratic Republic of Congo or adjacent countries.