

Double Eccentric Levers · with fulcrum pin

23380.0012



Product Description

Clamping on both sides.

Material

Fulcrum Pin

- Steel, case-hardened

Lever

- Alloyed case-hardened steel, case-hardened, blackened

Safety ring

- Spring steel

More information

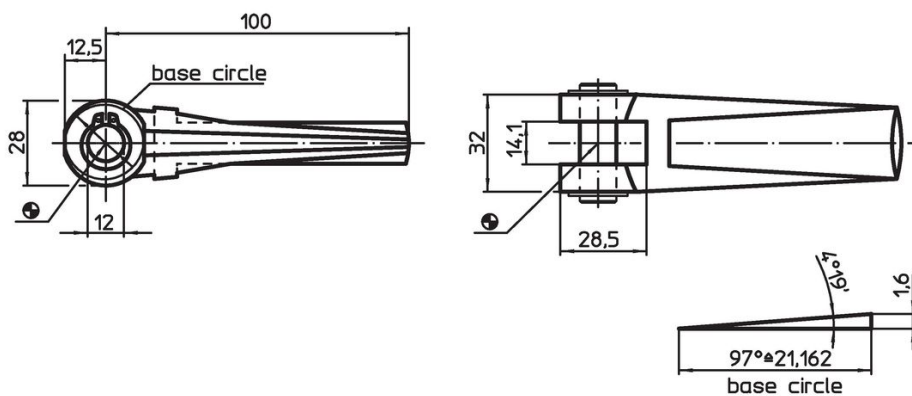
References

Can be used in combination with swing bolts DIN 444, M12 (EH 22980.).

Further products

- Swing Bolts, DIN 444, form B
- Swing Bolts, DIN 444, form B, quality 8.8 high precision design

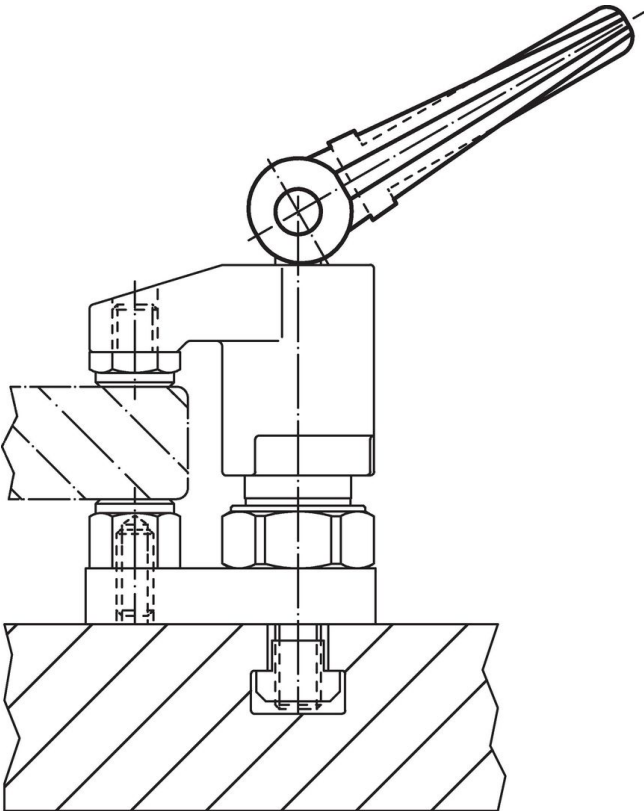
Drawing



Order information

Dimensions Bore Hole [mm]	 [g]	Art. No.
12	341	23380.0012

Application example



Compliance

RoHS compliant

Contains lead - compliant according to exceptions 6a / 6b / 6c.

Contains SVHC substances >0,1% w/w

Contains lead - SVHC list [REACH] as of 27.06.2024.

Contains Proposition 65 substances



Lead can cause cancer and reproductive harm from exposure
<https://www.P65Warnings.ca.gov/>

Free from Conflict Minerals

This product does not contain any substances designated as "conflict minerals" such as tantalum, tin, gold or tungsten from the Democratic Republic of Congo or adjacent countries.