

Spring Plungers • long version  
22070.0630



**Product Description**

To be used for ejecting, as a detent, for applying pressure or as a shock element.

**Material**

**Pin**

- Steel, case-hardened, black

**Body**

- Heat-treated steel, tempered, blackened

**Spring**

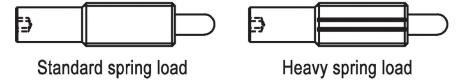
- Stainless steel

**Assembly**

Spring plungers can be mounted and removed by means of the slot or internal hexagon. Please use a special assembly tool for mounting with a slot (pin side).

**Characteristic**

Standard spring load: no marking



**More information**

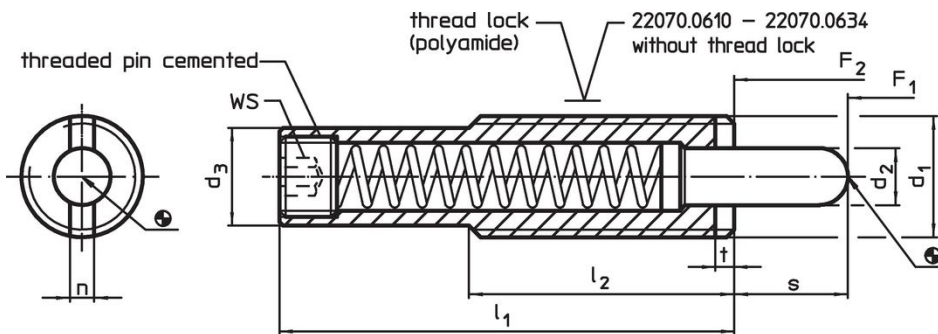
**Notes**

Customized design on request.  
Spring plungers are specially tested for spring range and forces.

**References**

Thread lock: polyamide all-around coating (for details please refer to the technical appendix).

**Drawing**

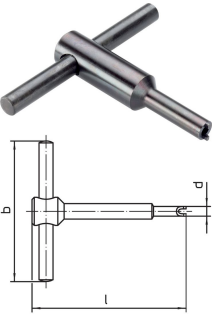


**Order information**

Dimensions							Stroke s	WS	Spring load <sup>1)</sup>		max. [°C]	[g]	Art. No.
d <sub>1</sub>	l <sub>1</sub>	d <sub>2</sub>	d <sub>3</sub>	l <sub>2</sub>	n	t			F <sub>1</sub>	F <sub>2</sub>			
[mm]							[mm]	[mm]	[N]	[N]	[°C]	[g]	
<b>body from heat treated steel, standard spring load, without locking</b>													
M22	130	9	19	50	3.5	4	21	8	80	214	250	211	22070.0630

<sup>1)</sup> statistical average value

Accessories

	Dimensions				[g]	Art. No.
	d <sub>1</sub>	b	d	l		
[mm]						
<b>Assembly Tool for mounting via slot (pin sided)</b>						
	M22	100	19.0	100	245	22070.0836

Application example



## Compliance

### RoHS compliant

Compliant according to Directive 2011/65/EU and Directive 2015/863.

### Does not contain SVHC substances

No SVHC substances with more than 0.1% w/w contained - SVHC list [REACH] as of 27.06.2024.

### Does not contain Proposition 65 substances

No Proposition 65 substances included.

<https://www.P65Warnings.ca.gov/>

### Free from Conflict Minerals

This product does not contain any substances designated as "conflict minerals" such as tantalum, tin, gold or tungsten from the Democratic Republic of Congo or adjacent countries.